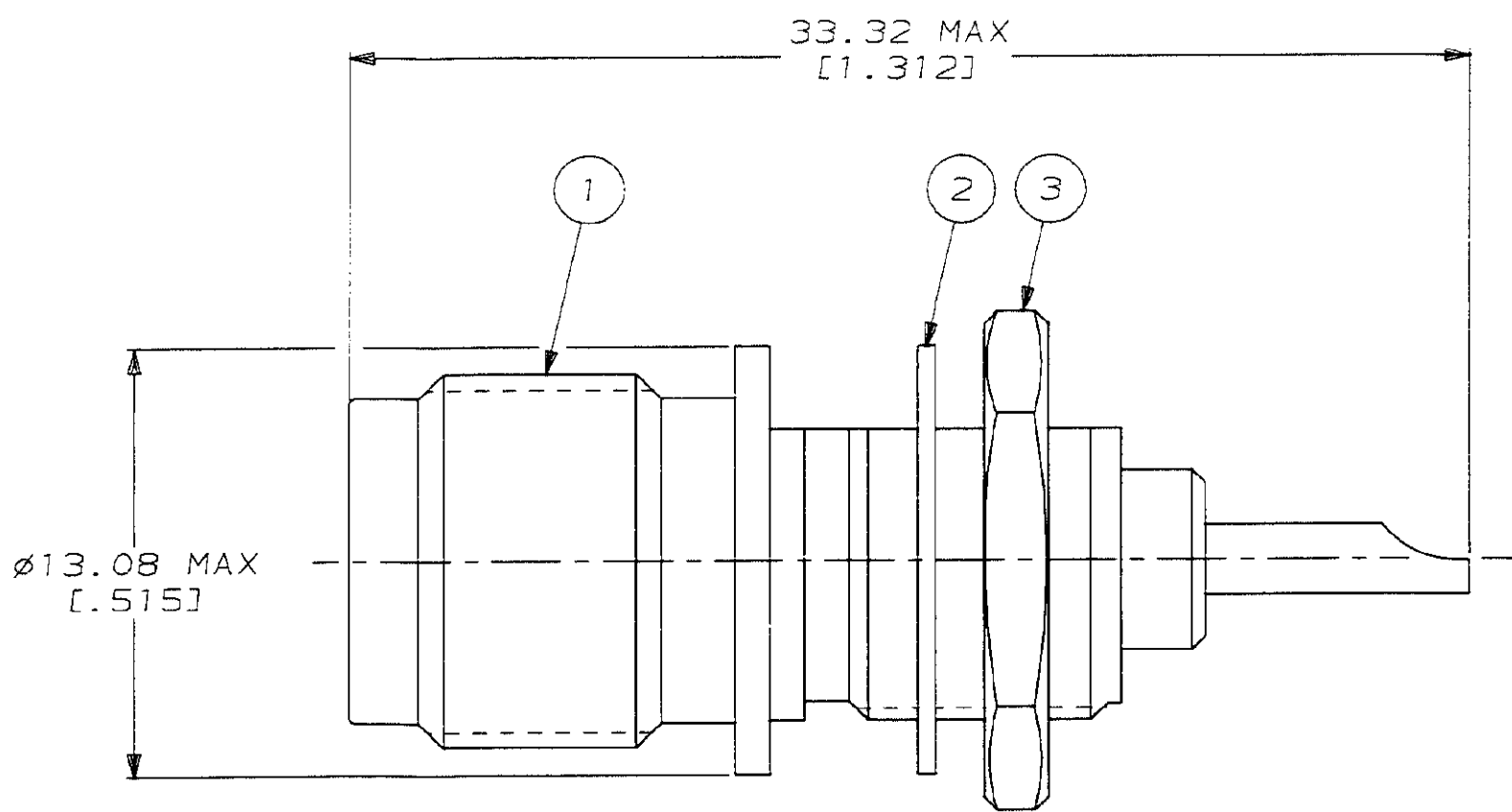


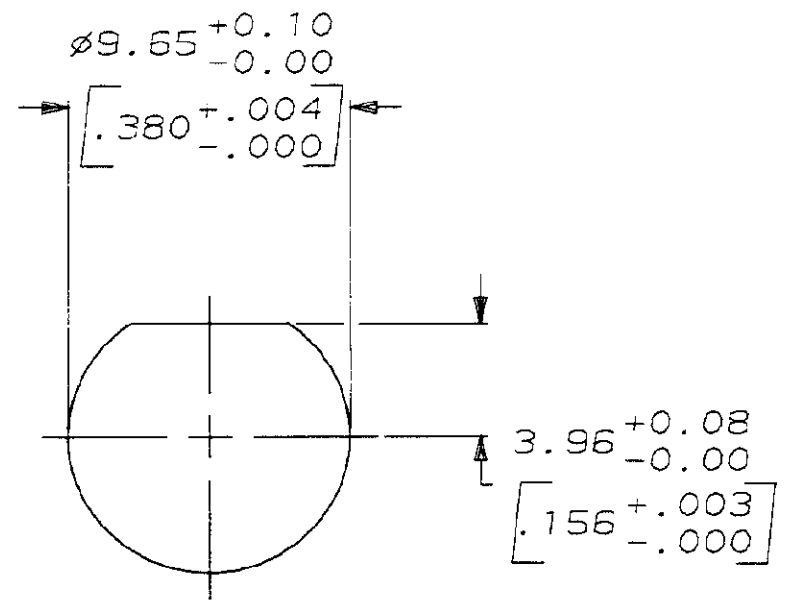
DRAWING MADE IN THIRD ANGLE PROJECTION

THIS DRAWING IS UNPUBLISHED. RELEASED FOR PUBLICATION , 19 .
 © COPYRIGHT 19 BY AMP INCORPORATED. ALL INTERNATIONAL RIGHTS RESERVED.

LOC	DIST	P	F	ZONE	LTR	DESCRIPTION	DATE	APPD
AJ	16				D	REDWN & OBS -3 PER AJ-2715	08-02-91	BAS
		✓	✓			OBS -1 PER AJ-3018		



1. 6.35 [.250] MAXIMUM PANEL THICKNESS



RECOMMENDED PANEL CUTOUT
SCALE 4:1

1-330249-1	1-329429-1	227765-2	227764-2
③ JAM NUT QTY=1	② LOCKWASHER QTY=1	① JACK ASSY QTY=1	PART NUMBER

DO NOT SCALE PRINT. UNLESS SPECIFIED DIMENSIONS IN mm [INCHES] TOLERANCES ON: 2 PLC DEC + - 3 PLC DEC + - ANGLES + -		DR 08-02-91 B. SCOTT CHK 10-22-91 J. LIPPERT APPD 10-22-91 M. PHILLIPS APPD 10-22-91 J. LIPPERT PRODUCT SPEC - APPLICATION SPEC - WEIGHT -	PART NO AMP AMP Incorporated Harrisburg, PA 17105-3608 NAME JACK, SOLDER RECEPTACLE, SERIES TNC SIZE B CAGE CODE 00779 DRAWING NO 227764 SCALE 5:1 SHEET 1 OF 1	
---	--	--	---	--