

THIS DRAWING IS UNPUBLISHED.

RELEASED FOR PUBLICATION

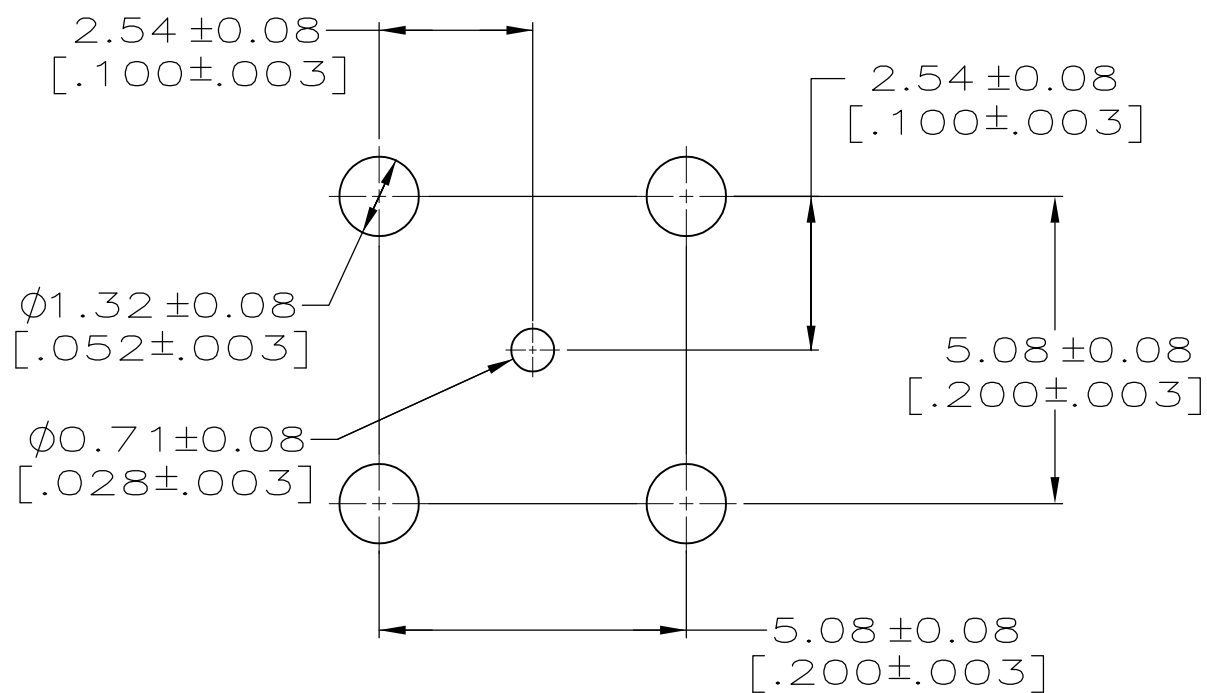
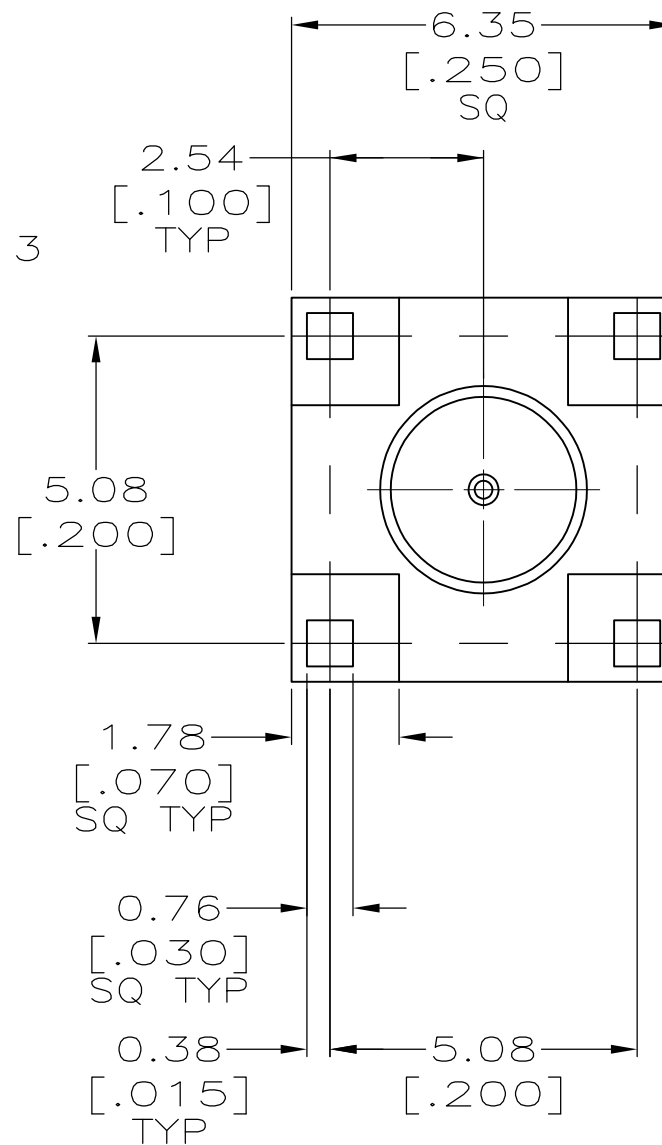
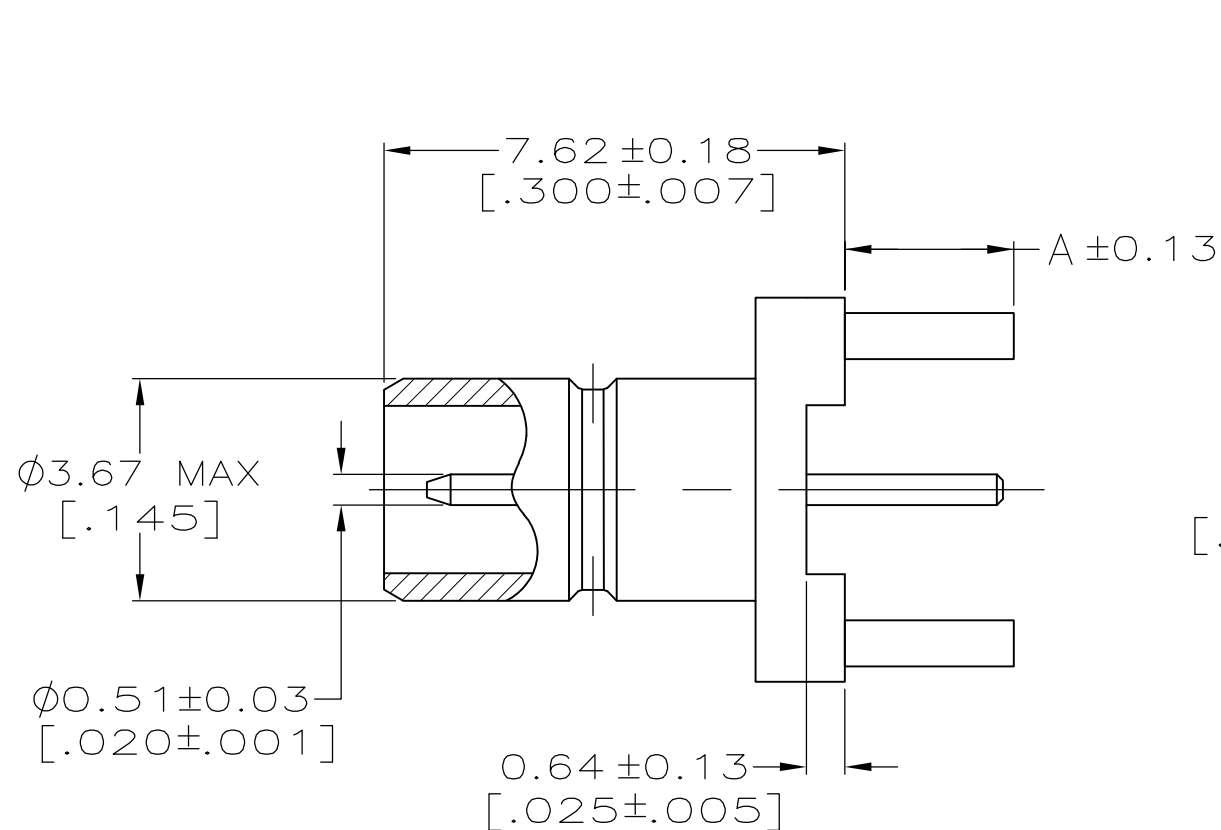
ALL RIGHTS RESERVED.

© COPYRIGHT 2005 By -

LOC
AJ 16

REVISIONS

P	LTR	DESCRIPTION	DATE	DWN	APVD
	B1	ECR-12-005726	27MAR12	RK	MY



- ⚠️ MATERIALS:
BODY: BRASS PER QQ-B-626.
CONTACT: BRASS PER QQ-B-626.
DIELECTRIC: PTFE PER ASTM-D-1710.
- ⚠️ FINISHES:
BODY: GOLD PER MIL-G-45204.
CONTACT: GOLD PER MIL-G-45204.
- ⚠️ FINISHES:
BODY: GOLD FLASH PER MIL-G-45204
OVER NICKEL PER QQ-N-290.
CONTACT: GOLD PER MIL-G-45204.
- ⚠️ SEE SEPERATE RESTRICTED CUSTOMER DRAWING WITH THIS PART NUMBER.

⚠️	-	-	415504-6
	3.05 [.120]	⚠️ 3	415504-4
	3.05 [.120]	⚠️ 2	415504-3
	2.11 [.083]	⚠️ 3	415504-2
	2.11 [.083]	⚠️ 2	415504-1
	A	FINISH	PART NUMBER

OBSOLETE

THIS DRAWING IS A CONTROLLED DOCUMENT.		DWN B.MOYER 27JUN96	STE TE Connectivity		
DIMENSIONS: mm [INCHES]		CHK G. MICHAEL 28JUN96			
TOLERANCES UNLESS OTHERWISE SPECIFIED:		APVD G. MICHAEL 28JUN96	NAME STRAIGHT JACK, PCB, 75 OHM, MINI-SMB		
0 PLC ± -		PRODUCT SPEC	APPLICATION SPEC		
1 PLC ± -		SIZE CAGE CODE DRAWING NO RESTRICTED TO			
2 PLC ± 0.05 [.002]		A3 00779 C-415504			
3 PLC ± -		SCALE 8:1 SHEET 1 OF 1 REV B1			
4 PLC ± -		CUSTOMER DRAWING			
ANGLES ± -					
FINISH					
⚠️					
⚠️ ⚠️					

RECOMMENDED PCB CONFIGURATION