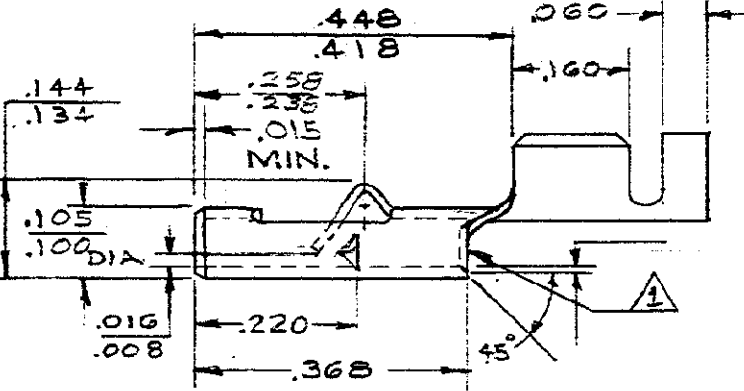
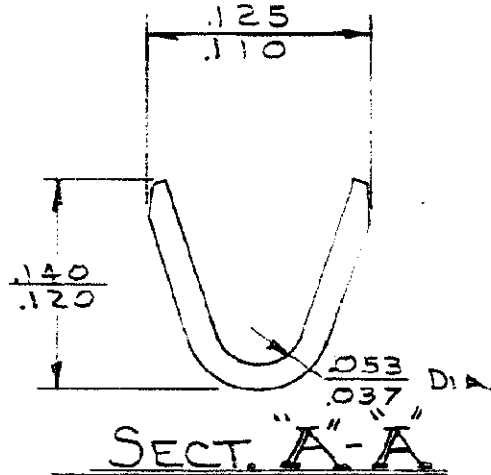
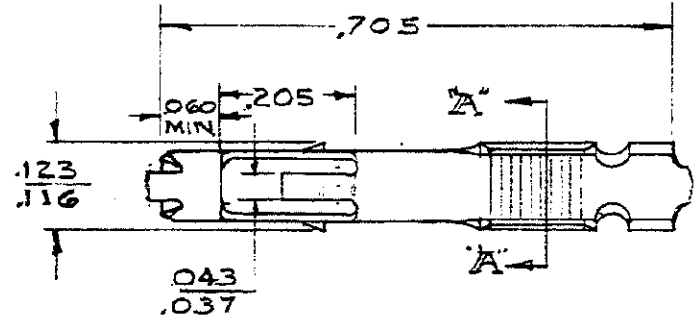


DRAWING MADE IN AMERICAN PROJECTION

NUMBER 61961

S

Unpublished copy not to be reproduced nor published without written permission of AMP Incorporated



CONTINUOUS STRIP ON REELS

TERMINAL NUMBER
61961-1

NOTE:
 1- ACCEPTS SOLID OR FUSED STRANDED WIRES (#18-#20) OR STATOR TERMINAL P70-7400.

NOTES (CONT'D):
 2. PART NUMBER CAN ALSO BE IDENTIFIED BY A YELLOW LABEL ON REEL FLANGE.

DIMENSIONS IN INCHES. DO NOT SCALE PRINT.

W	BARB DIM.	AF0110	24/61	1-3-84
V	REVISED PER ECN	A 3946	SS	5/1/78
T	REMOVED INSULATION PER REEL SPECIFICATIONS	A 3356	6/20/77	4/6/77
S	REVISED	A 2127	LIKE	3/8/74
R	RELEASED	PA 2	NEW	7/2/73
P	Revised	A 2442	1/24/73	4-73
N	REVISED REDRAWN	A 47	1/24/73	1/24/73
DR	REVISION RECORD	ECN	DR	DATE
DR	N.B. NEFF	4/23/73	DR	4-23-73
DR	CHARLES FERRARO		DR	
CHK			AF	

©1970 BY AMP INCORPORATED. ALL RIGHTS RESERVED. AMP PRODUCTS COVERED BY PATENTS AND/OR PATENTS PENDING.

MATERIAL AND FINISH
 .016 PHOS. BRONZE
 TIN

AMP INCORPORATED
 HARRISBURG, PENNA.

CLASS _____
 TYPE _____

WIRE RANGE _____ INSULATION _____
 16-#22

TOLERANCE EXCEPT AS NOTED
 ± .015 ± 1° 0'

SCALE _____
 N

LOC AF A NO 61961 REV W

NAME STATOR TERMINAL

CUSTOMER COPY REFERENCE ONLY