

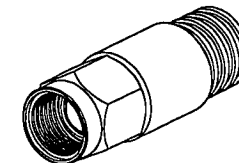
DASH NO	A DIM	CABLES ACCOMODATED	ASSEMBLY INSTRUCTION
-F1	.360	COMMSCOPE 6 SERIES QUAD (P/N 5740) (P/N F6SSVV)	TAI-214
-F2	.324	BELDEN 6 SERIES (P/N 82120) (P/N 9114)	
-F3	.360	COMMSCOPE 59 SERIES (P/N S 59 HEC)	

DATA CONTAINED IN THIS DOCUMENT IS PROPRIETARY TO TROMPETER ELECTRONICS INC. AND SHALL NOT BE DISCLOSED, COPIED OR USED FOR PROCUREMENT OR MANUFACTURE WITHOUT EXPRESS WRITTEN PERMISSION.

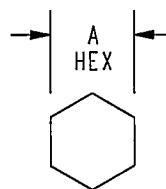
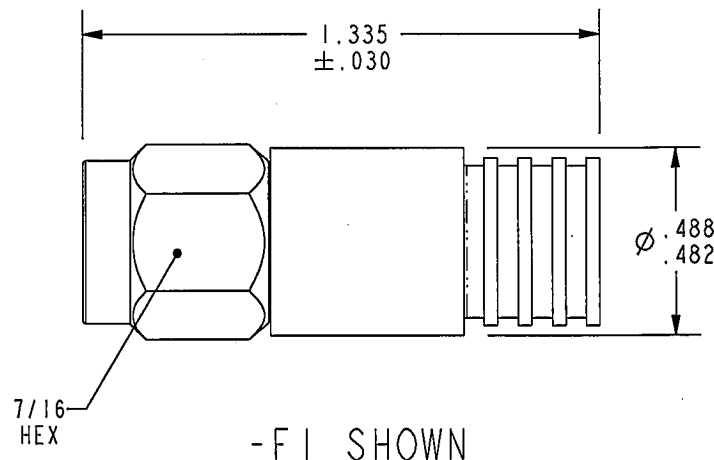
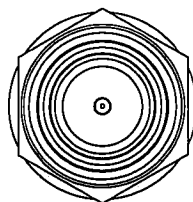
REVISIONS

REV	DESCRIPTIONS	DATE	APPROVED
F	REVISED PER ECO 14594	7-16-02	MAN

RED INDICATES ORIGINAL



SCALE 1/1



RECOMMENDED
HEX CRIMP
SCALE 1/1

3. EXAMPLE OF COMPLETE MODEL NUMBER

PL130C - F1

BASIC MODEL NUMBER. CABLE GROUP

2. 75 OHM MALE TYPE "F" COAXIAL CABLE PLUG

- 1. FINISH: TFS-1U (NICKEL) (BODY)
TFS-1B 2G (GOLD) (PIN CONTACT)

NOTES: UNLESS OTHERWISE SPECIFIED.

INTERPRET DRAWING PER MIL-STD-100. DIMENSIONS ARE IN INCHES AND INCLUDE FINISH UNLESS OTHERWISE SPECIFIED.		TOL: UNLESS SPECIFIED. .XX ± .01 .XXX ± .005 .XXXX ± .0010 ANGLE ± 1° 00' CRITICAL			
DRW AAH 7-12-02	MATERIAL:	TITLE: PL130C			
CHK JLM 7-12-02	FINISH:	SIZE A	CAGE CODE 14949	DRAWING NO. 1-0542	REV. F
QTY 7-15-02	APPROVED 7/15/02	SCALE 2/1	DATE 5-15-96	SHEET IC	
PROJ FILE NO. 1-0542	NEXT ASSY	DO NOT SCALE DWG			