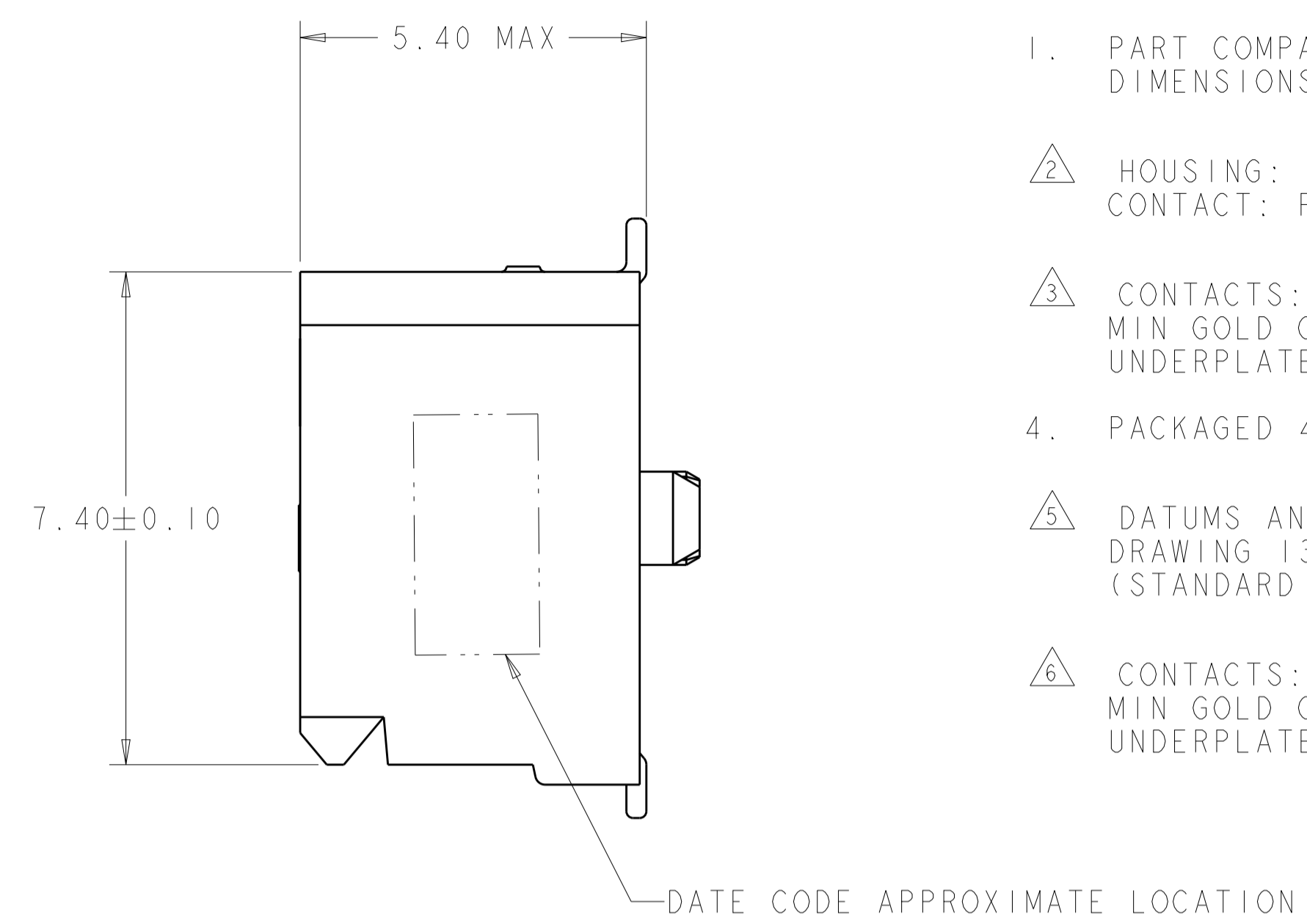
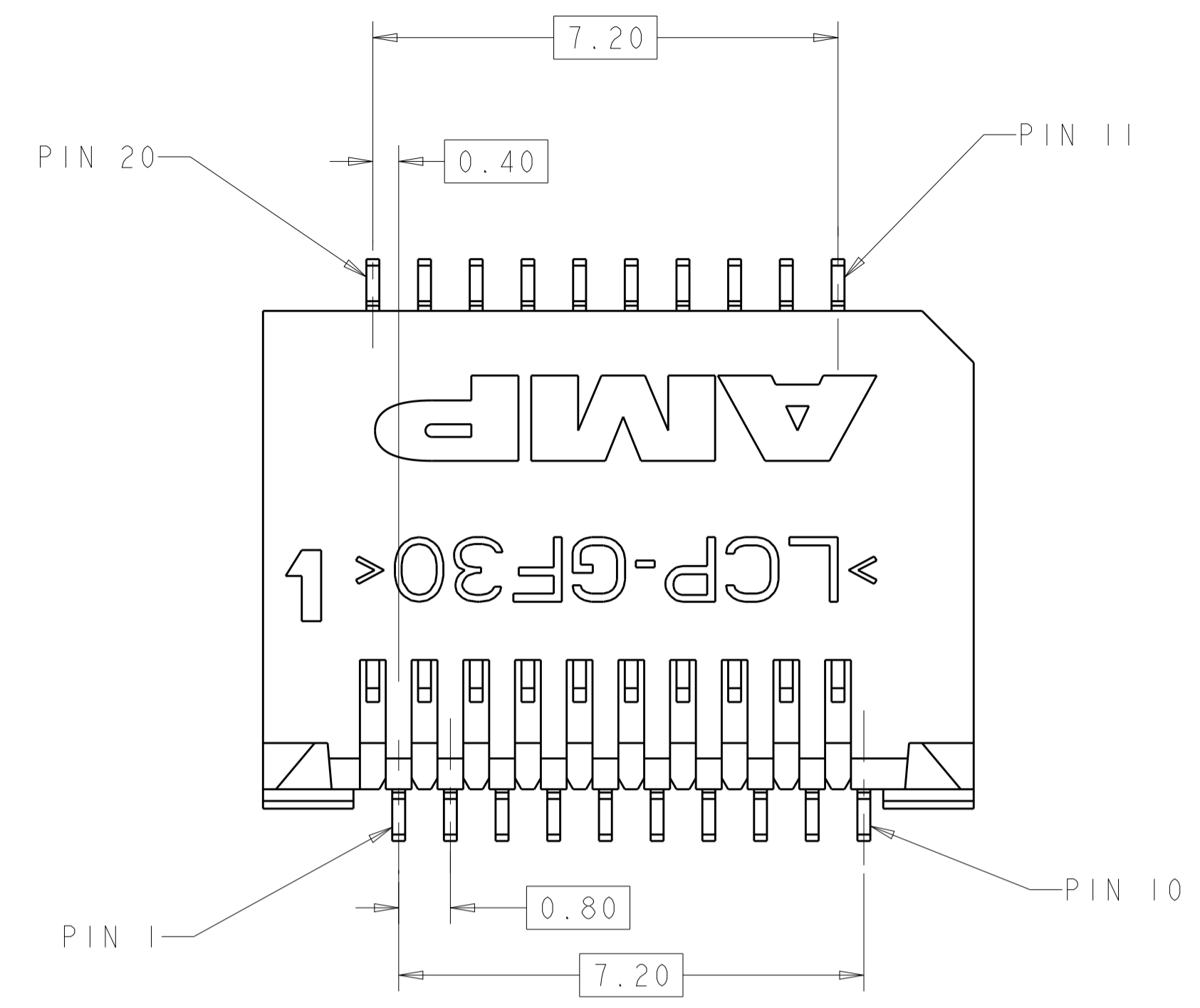
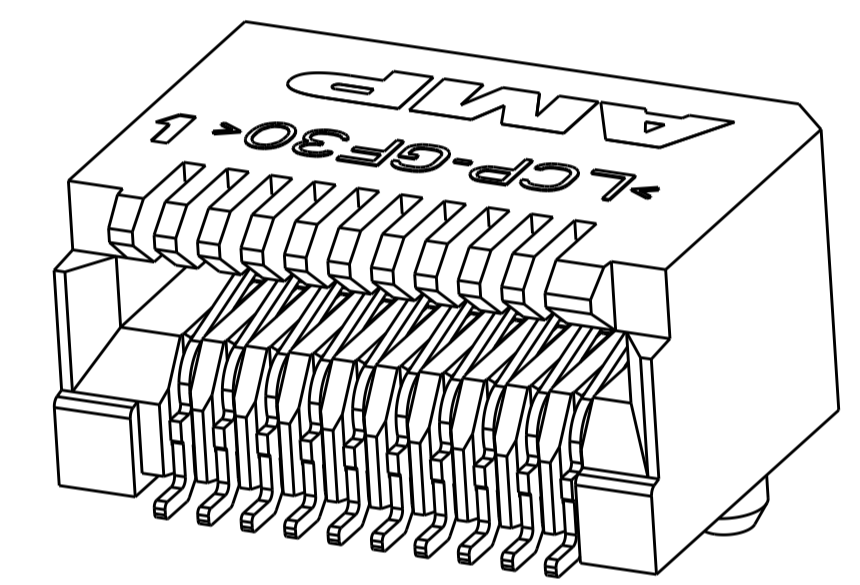
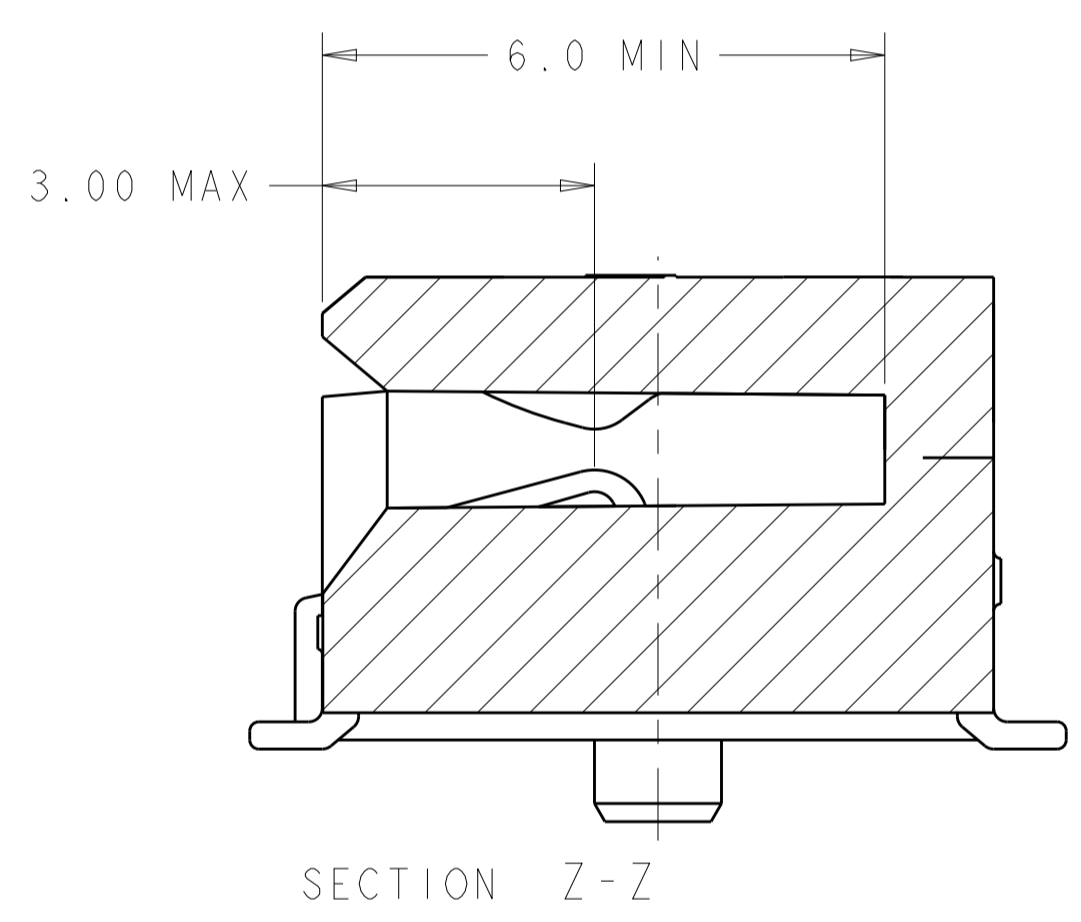
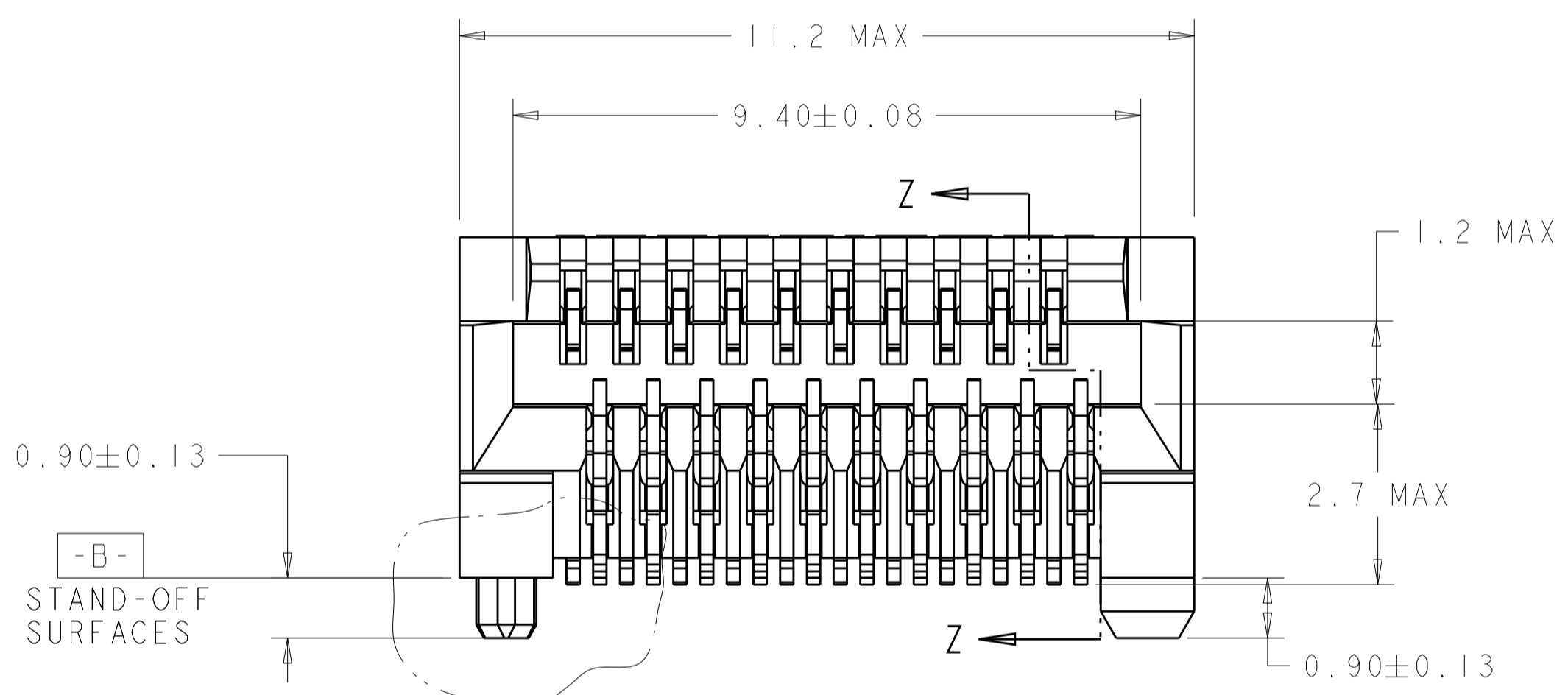


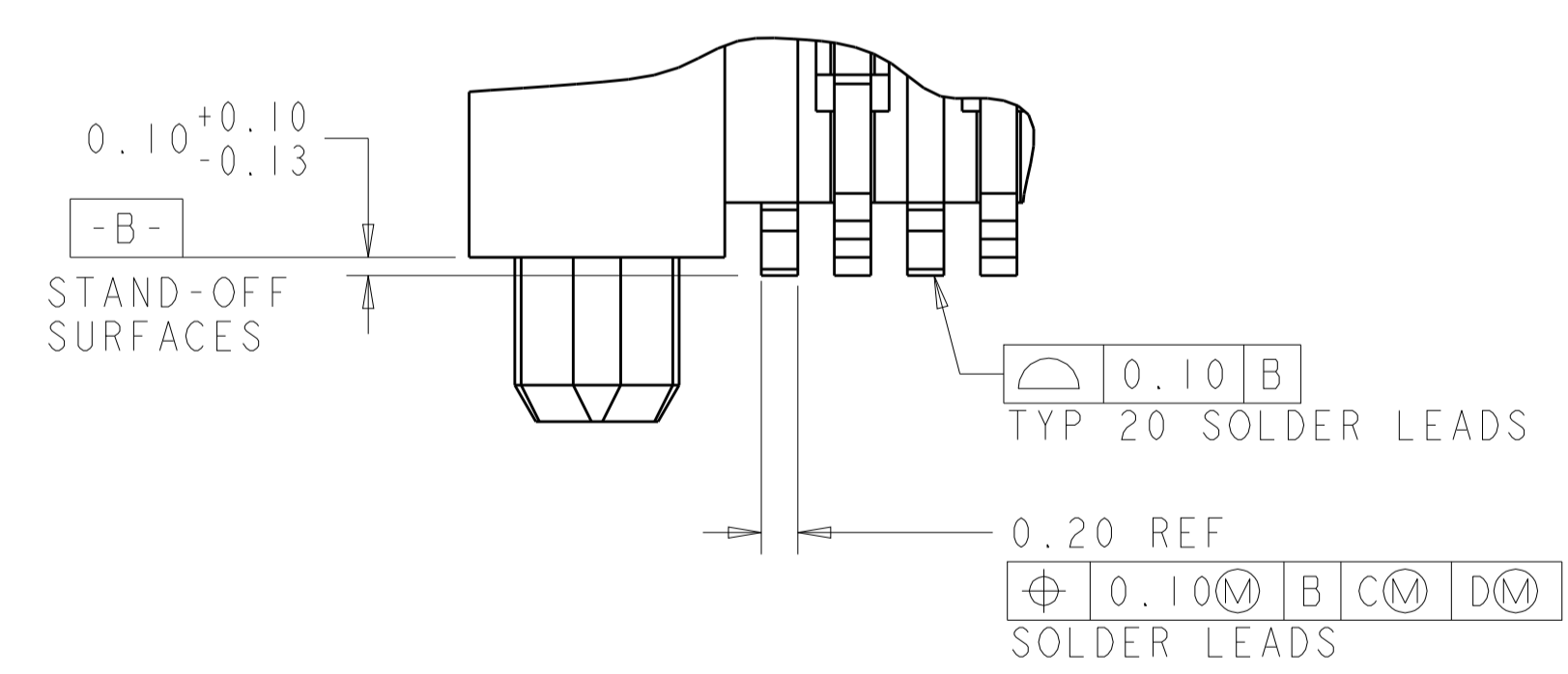
LOC	DIST	REVISIONS			
P	LTN	DESCRIPTION	DATE	DWN	APVD
J1		REVISED PER ECO-11-005033	09MAY2011	RK	HMR
K		REVISED PER ECO-12-014566	18DEC2012	JY	AC



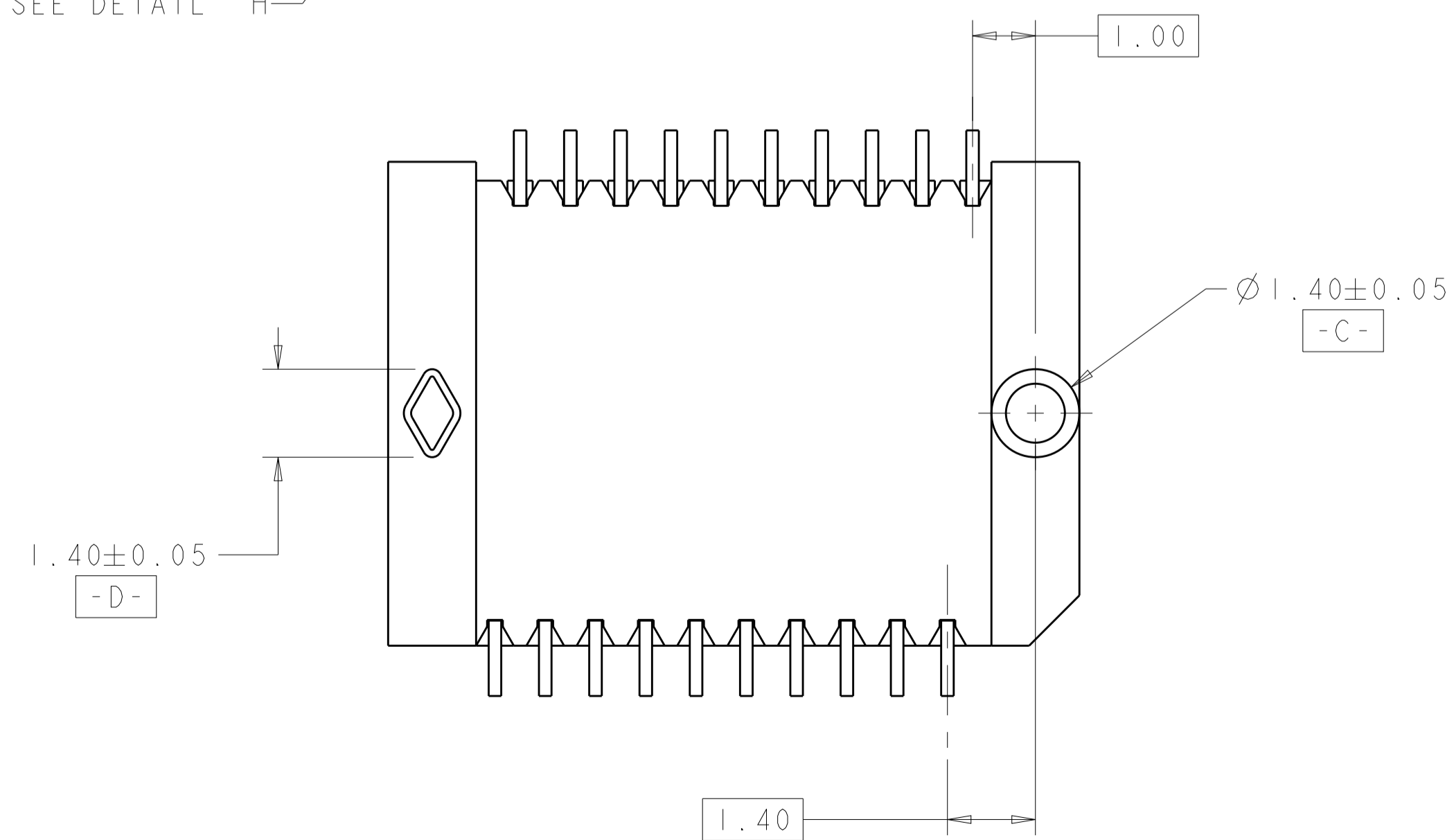
- PART COMPATIBLE WITH SFP MSA. REFER TO THE SFP MSA FOR DIMENSIONS NOT SHOWN ON THIS PRINT.
- HOUSING: HIGH TEMPERATURE LCP, UL 94V-0 RATED, BLACK. CONTACT: PHOSPHOR BRONZE.
- CONTACTS: 0.00038 MIN GOLD IN CONTACT AREA, 0.00013 MIN GOLD ON SOLDER AREA, OVER 0.0038 MIN NICKEL UNDERPLATE ON ENTIRE CONTACT.
- PACKAGED 480 PIECES PER REEL.
- DATUMS AND BASIC DIMENSIONS TO BE ESTABLISHED BY CUSTOMER, SEE DRAWING 1367034 FOR LAYOUT WHEN USED WITH 1367034-1 BOTTOM CAGE (STANDARD SFP APPLICATION).
- CONTACTS: 0.00076 MIN GOLD IN CONTACT AREA, 0.00013 MIN GOLD ON SOLDER AREA, OVER 0.0038 MIN NICKEL UNDERPLATE ON ENTIRE CONTACT.



SCALE 8:1



DETAIL H
SCALE 25:1



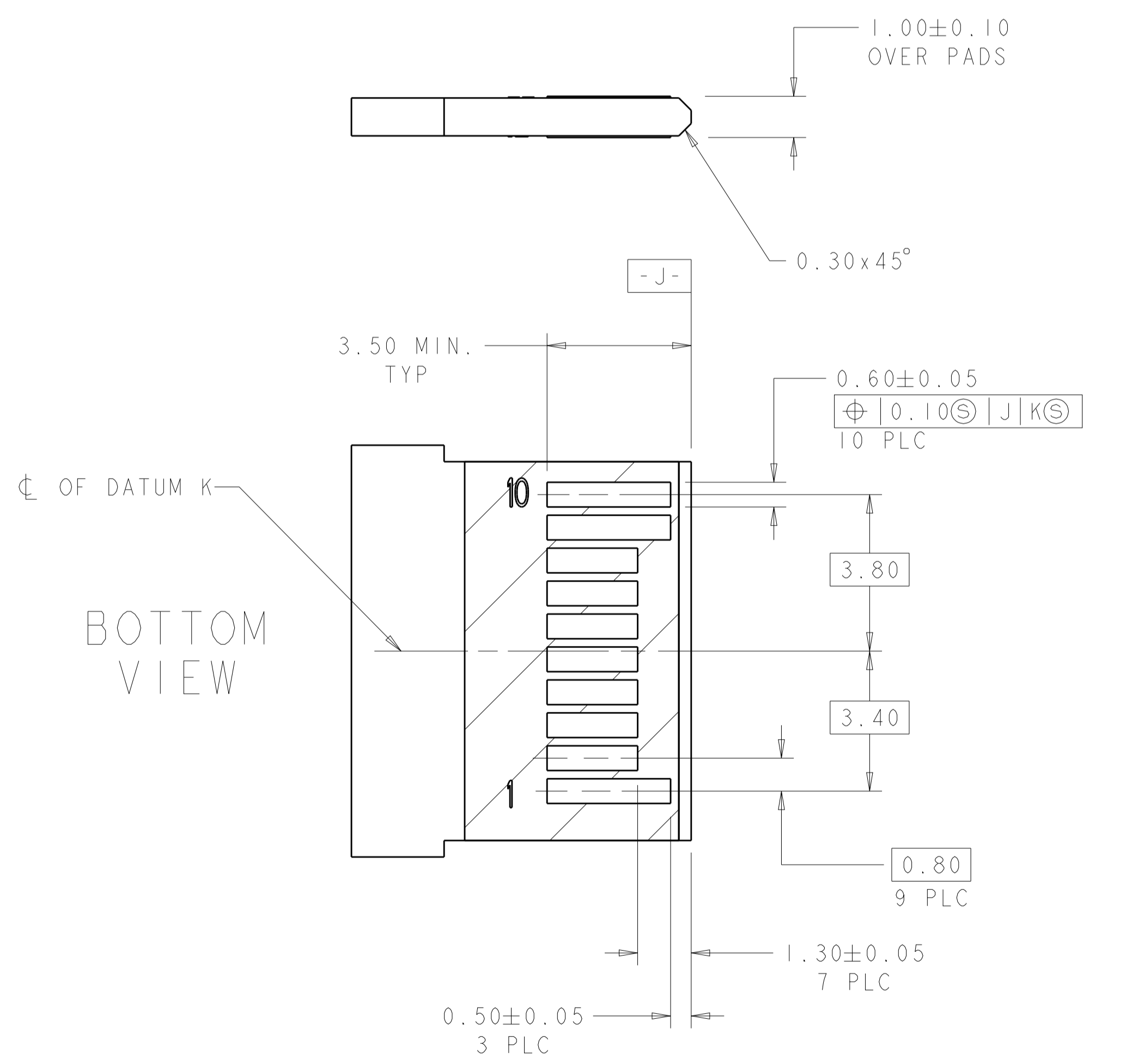
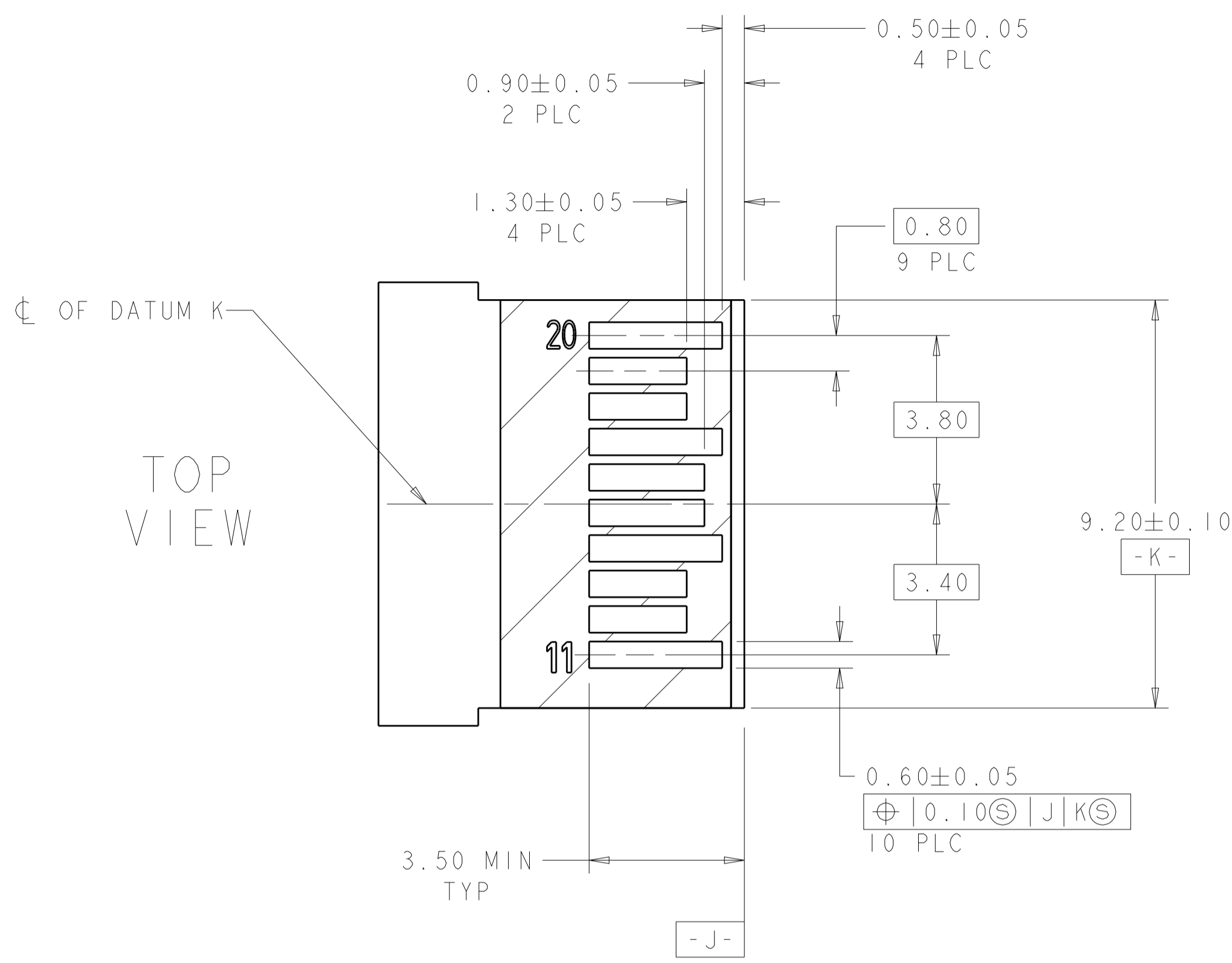
YES	△6	1367073-4
YES	△3	1367073-3
NO	△6	1367073-2
NO	△3	1367073-1
DATE CODE	FINISH	PART NUMBER

THIS DRAWING IS A CONTROLLED DOCUMENT.

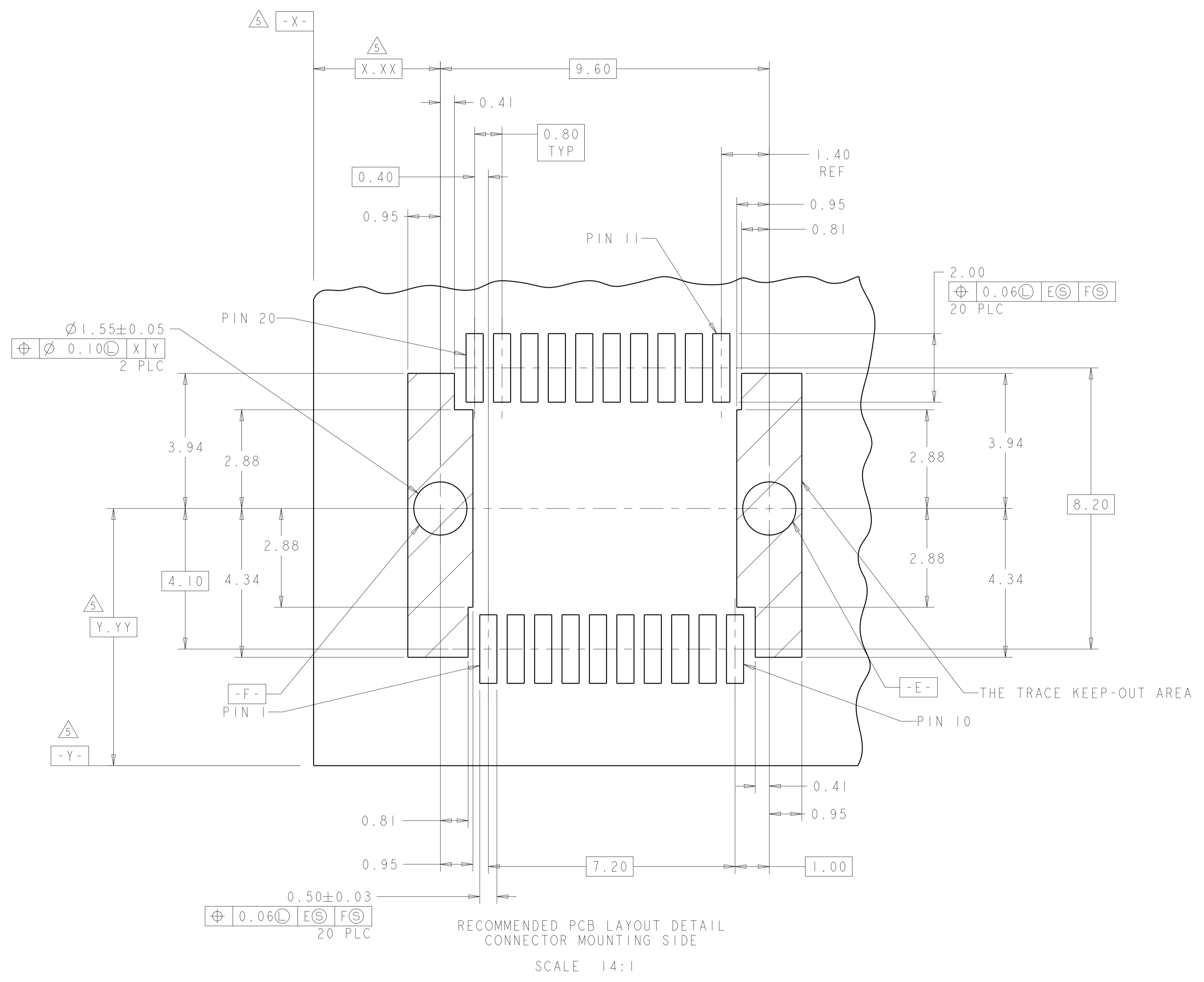
DIMENSIONS:	TOLERANCES UNLESS OTHERWISE SPECIFIED:	DWN P. KERBLIN 01MAR2000	CHK E. BRIGHT 01MAR2000	APVD E. BRIGHT 01MAR2000	NAME PT CONNECTOR ASSEMBLY, 20 POSITION, SFP, RTANG, 0.8MM
mm	0 PLC ± 1 PLC ±0.10 2 PLC ± 3 PLC ± 4 PLC ±	PRODUCT SPEC 108-1949	APPLICATION SPEC 114-13017	SIZE A1	CAGE CODE 00779
MATERIAL	FINISH	WEIGHT	Customer Drawing	SCALE 12:1	SHEET 1 OF 2
SEE TABLE					REV K

Customer Drawing

LOC		DIST		REVISIONS			
ES	00	P	LTN	DESCRIPTION	DATE	DWN	APVD
		-		SEE SHEET 1			



RECOMMENDED LAYOUT DETAIL
 MATING TRANSCEIVER PCB
 SCALE 10:1



RECOMMENDED PCB LAYOUT DETAIL
 CONNECTOR MOUNTING SIDE
 SCALE 14:1

THIS DRAWING IS A CONTROLLED DOCUMENT.		DWN P. KERLIN 01MAR2000	TE Connectivity
DIMENSIONS: mm		CHK E. BRIGHT 01MAR2000	
TOLERANCES UNLESS OTHERWISE SPECIFIED:		APVD F. BRIGHT 01MAR2000	NAME PT CONNECTOR ASSEMBLY, 20 POSITION, SFP, RTANG, 0.8MM
0 PLC ±		PRODUCT SPEC 108-1949	SIZE CAGE CODE DRAWING NO RESTRICTED TO
1 PLC ±0.10		APPLICATION SPEC 114-13017	A100779C=1367073
2 PLC ±		WEIGHT	SCALE 12:1 SHEET 2 OF 2 REV K
3 PLC ±		MATERIAL FINISH	Customer Drawing
4 PLC ±			
ANGLES ±			