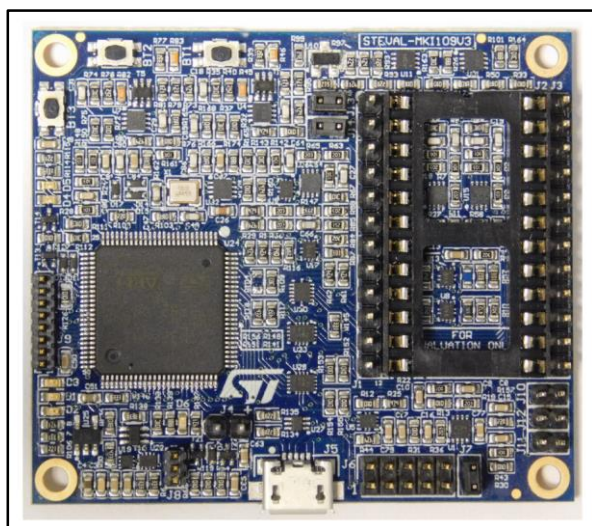


Professional MEMS tool: ST MEMS adapters motherboard based on the STM32F401VET6 compatible ST MEMS adapters

Data brief



Description

The STEVAL-MKI109V3 motherboard provides users with a complete, ready-to-use platform for the evaluation of STMicroelectronics MEMS products. It includes a high-performance 32-bit microcontroller which functions as a bridge between the sensors and a PC, on which you can download and run the graphical user interface (GUI) or dedicated software routines for customized applications.

The board features a DIL24 socket to mount all available adapters for both digital and analog output MEMS devices.

Features

- Compatible with all available ST MEMS adapter boards
- Controlled by the STM32F401VET6 high-performance ARM Cortex™ - M4 microcontroller
- Includes a DIL24 socket for easy MEMS adapter connection
- Adjustable MEMS DIL24 power supply
- DFU-compatible for USB microprocessor firmware update
- USB 2.0 full-speed compliant
- Debugging connector for SWD/JTAG
- RoHS compliant

1 Schematic diagrams

Figure 1: STEVAL-MKI109V3 circuit schematic (1 of 8)

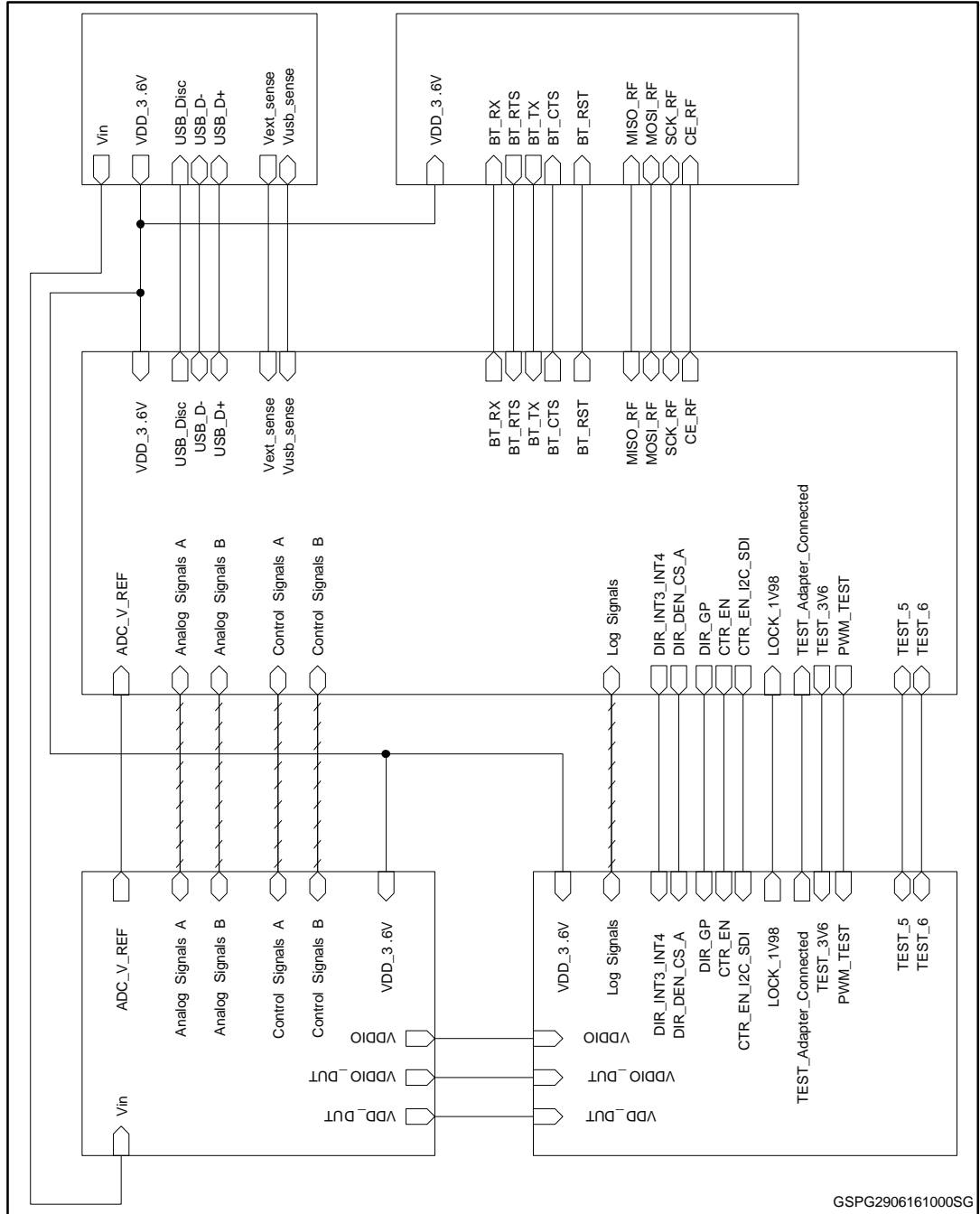
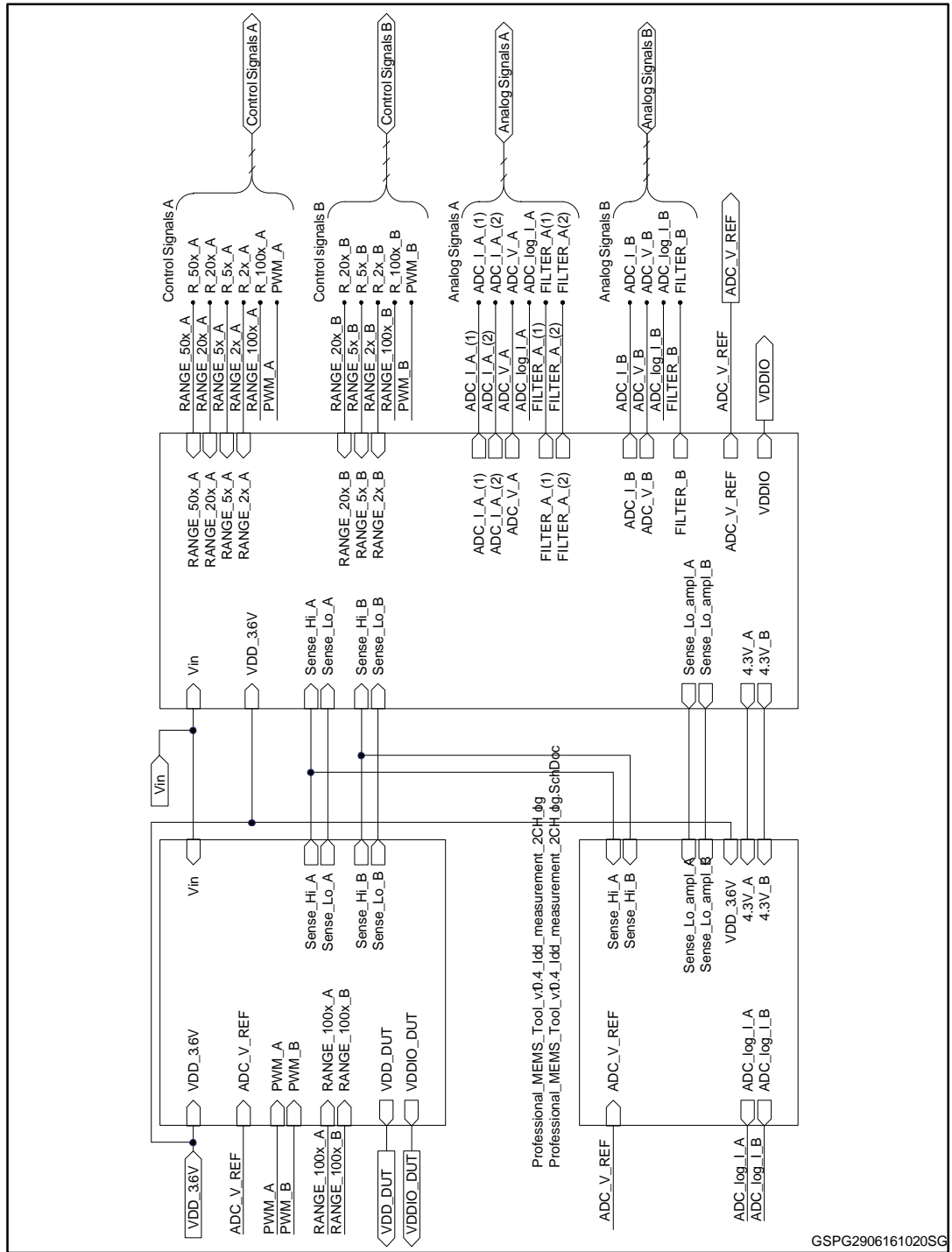
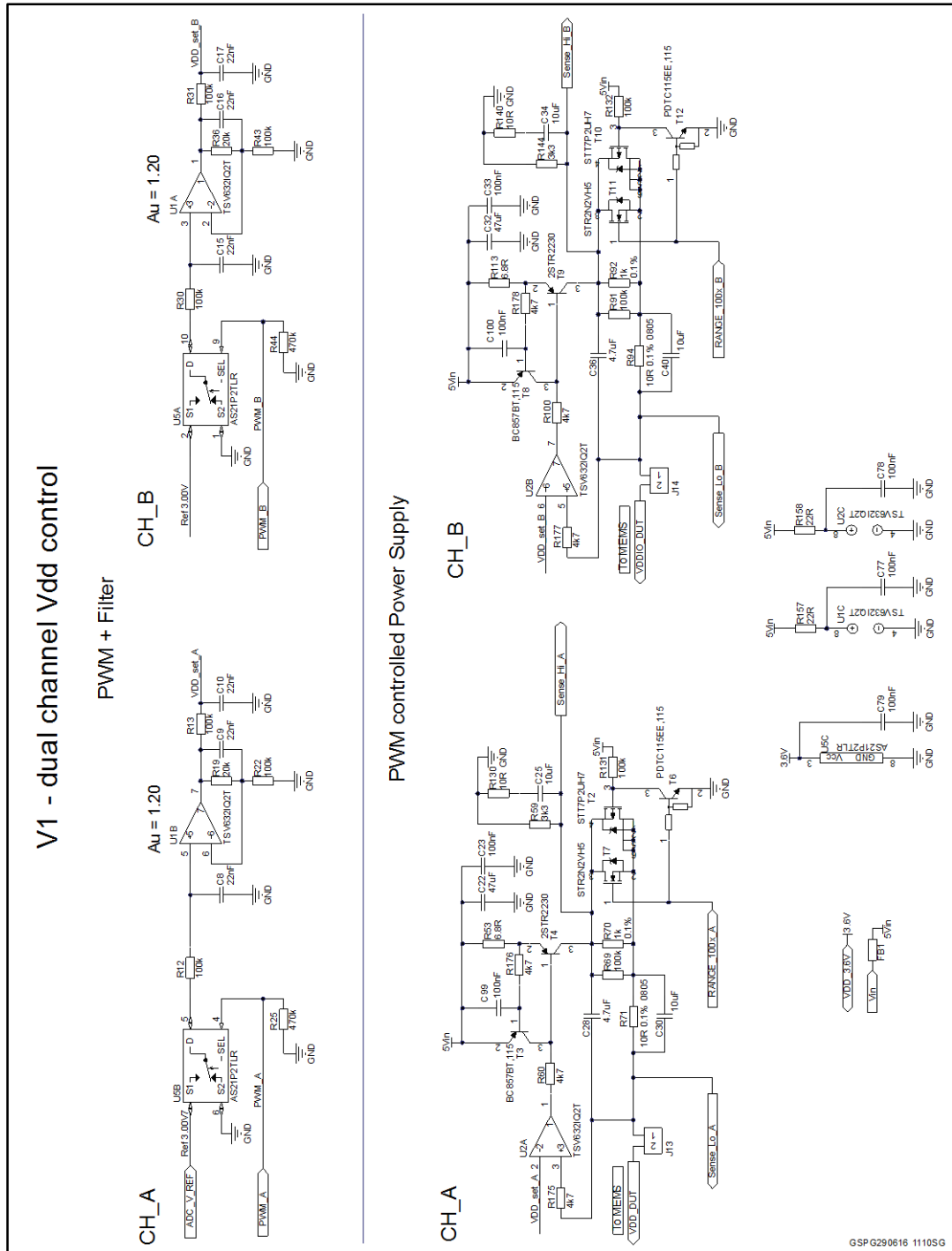


Figure 2: STEVAL-MKI109V3 circuit schematic (2 of 8)



GSPG2906161020SG

Figure 3: STEVAL-MK109V3 circuit schematic (3 of 8)



GSPG290616 11105G

Figure 5: STEVAL-MK109V3 circuit schematic (5 of 8)

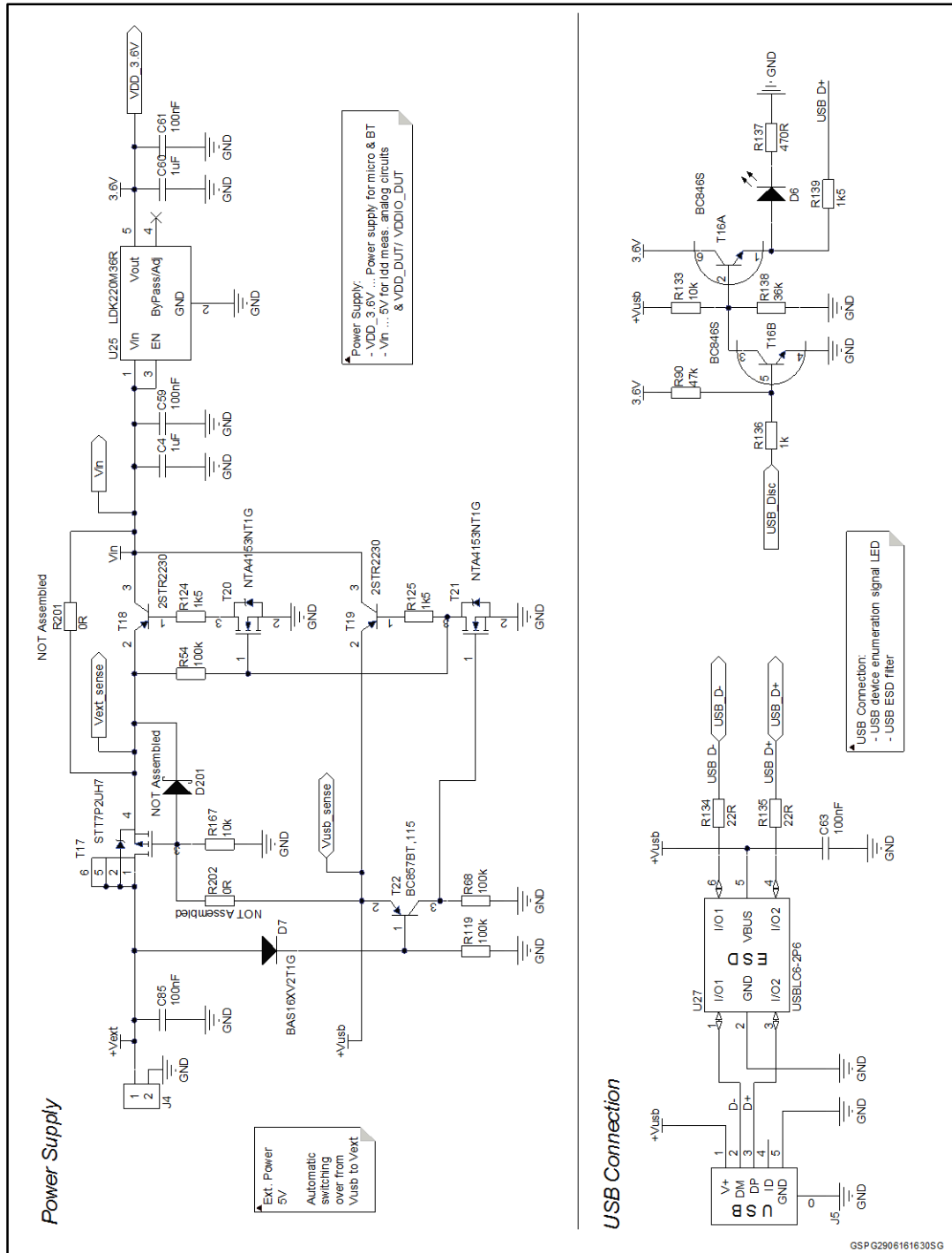


Figure 6: STEVAL-MK109V3 circuit schematic (6 of 8)

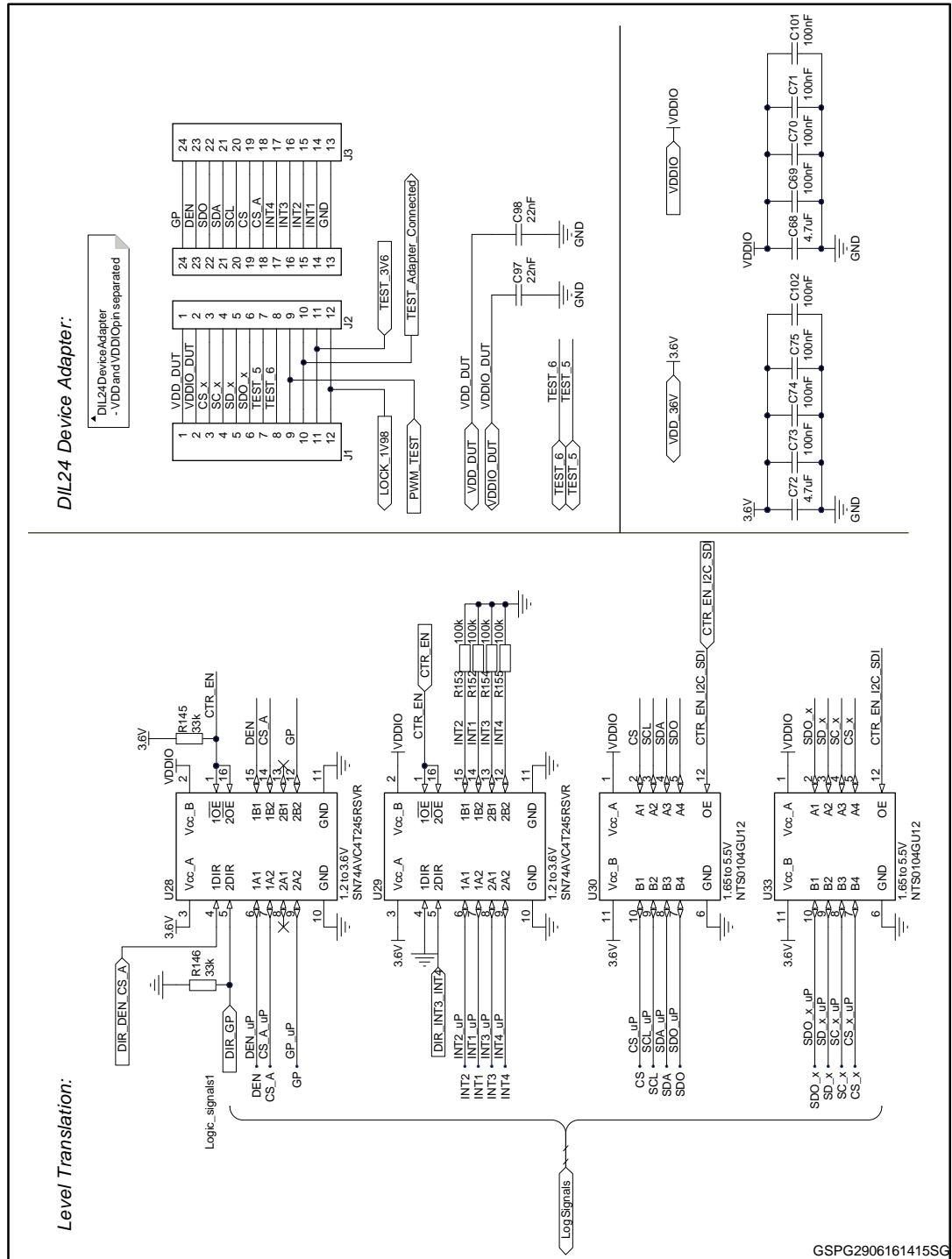


Figure 7: STEVAL-MKI109V3 circuit schematic (7 of 8)

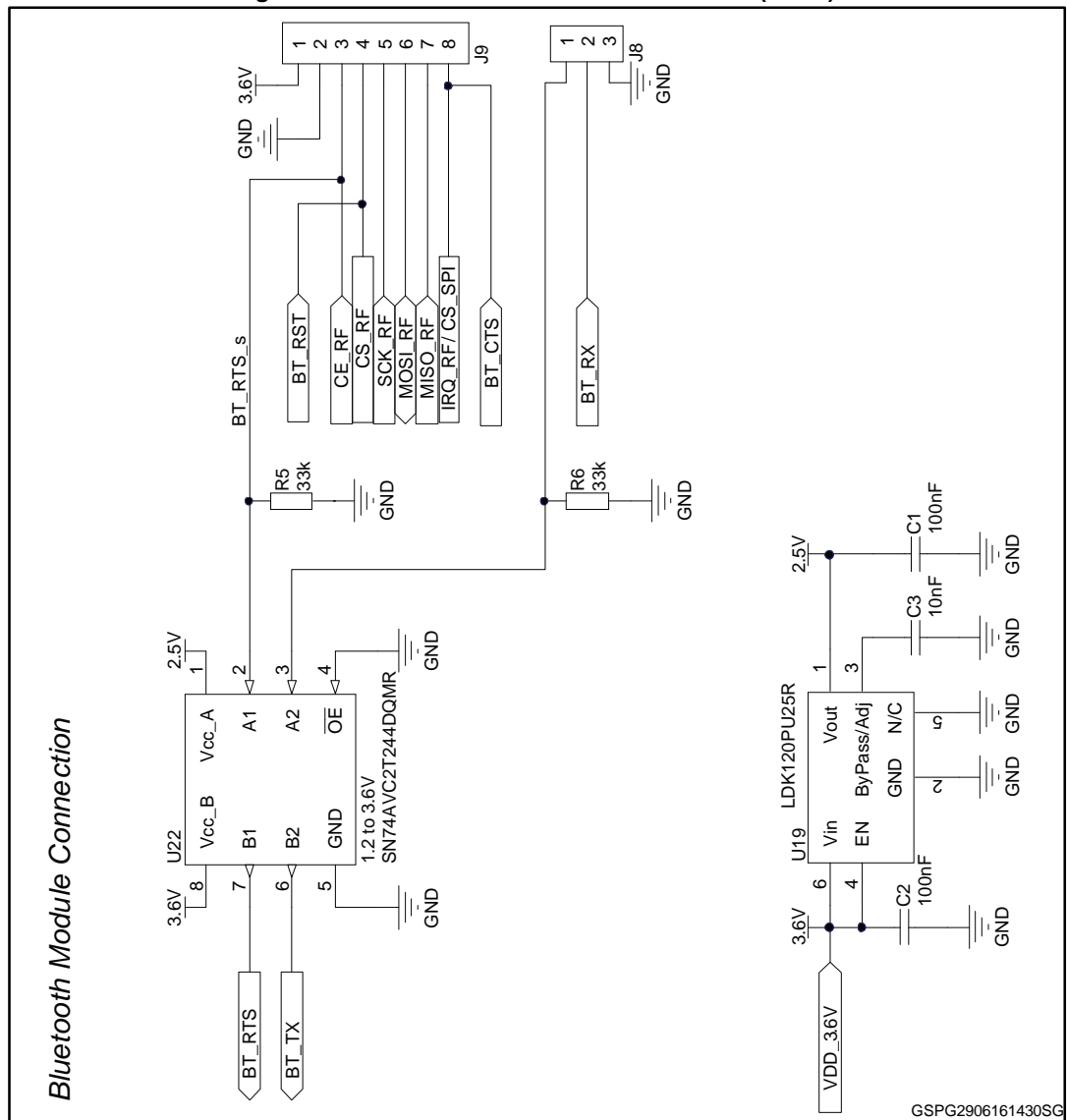
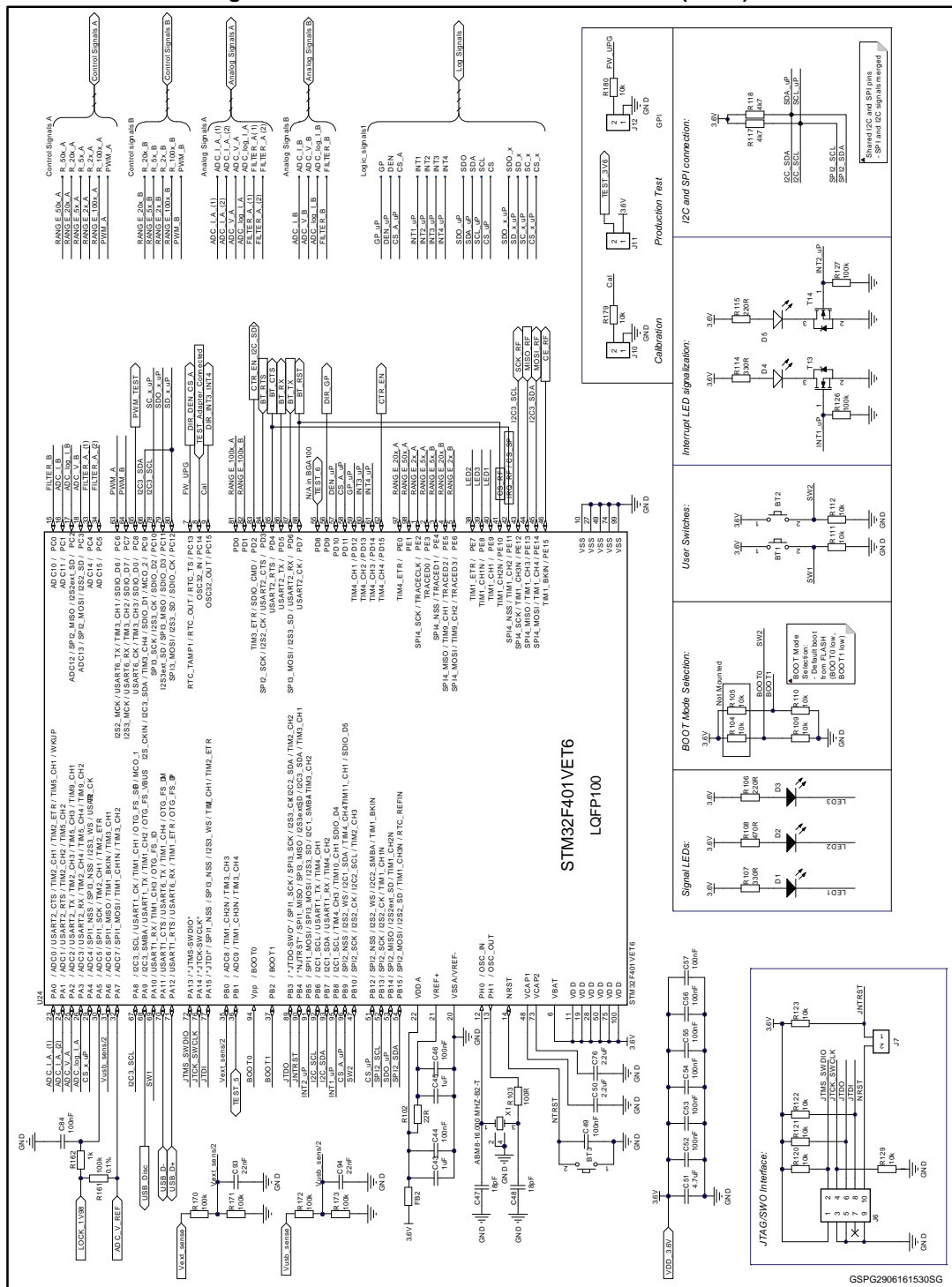


Figure 8: STEVAL-MKI109V3 circuit schematic (8 of 8)



2 Revision history

Table 1: Document revision history

Date	Version	Changes
04-Jul-2016	1	Initial release.

IMPORTANT NOTICE – PLEASE READ CAREFULLY

STMicroelectronics NV and its subsidiaries ("ST") reserve the right to make changes, corrections, enhancements, modifications, and improvements to ST products and/or to this document at any time without notice. Purchasers should obtain the latest relevant information on ST products before placing orders. ST products are sold pursuant to ST's terms and conditions of sale in place at the time of order acknowledgement.

Purchasers are solely responsible for the choice, selection, and use of ST products and ST assumes no liability for application assistance or the design of Purchasers' products.

No license, express or implied, to any intellectual property right is granted by ST herein.

Resale of ST products with provisions different from the information set forth herein shall void any warranty granted by ST for such product.

ST and the ST logo are trademarks of ST. All other product or service names are the property of their respective owners.

Information in this document supersedes and replaces information previously supplied in any prior versions of this document.

© 2016 STMicroelectronics – All rights reserved