

VectorPak™ T-Struts

Vector T-Struts can be used for custom assemblies or to fit existing cage assemblies. Available with two nut slots. As an alternative, mounting brackets (BR16A, available separately) may be used to attach struts to cages. Strut material is aluminum with clear irridite finish. Struts are attached to side panels with 10-32 screws (Part No. HD90).

T-Strut Hardware Kit - HD34 or HD34B for Connector Mounting

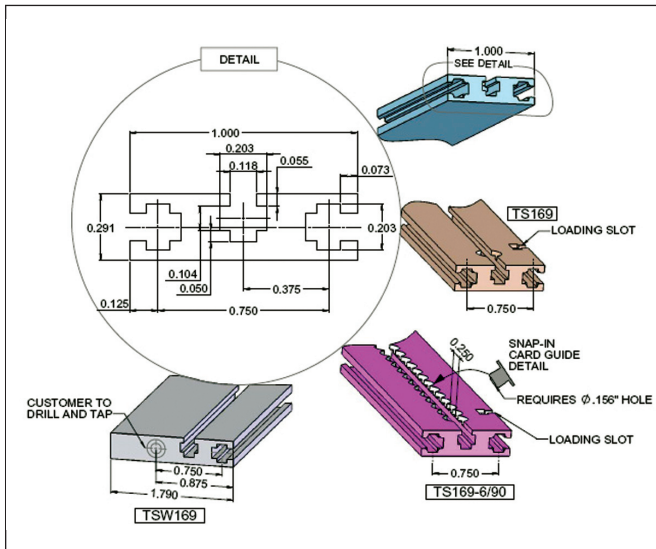
HD34 (1/2" screws) and HD34B (1/4" screws) are complete edge-connector mounting kits for attachment to VectorPak™ 'T'-Struts.

Each kit contains:

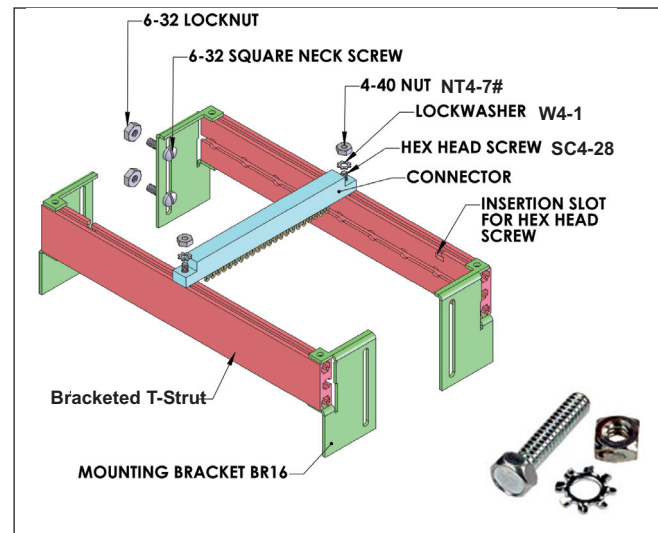
42, 4-40 locking screws (SC4-28, 1/2"L or SC4-27, 1/4"L)

42, 4-40 locking nuts (NT4-7)

42 lockwashers



Figures showing T-Strut features - see table



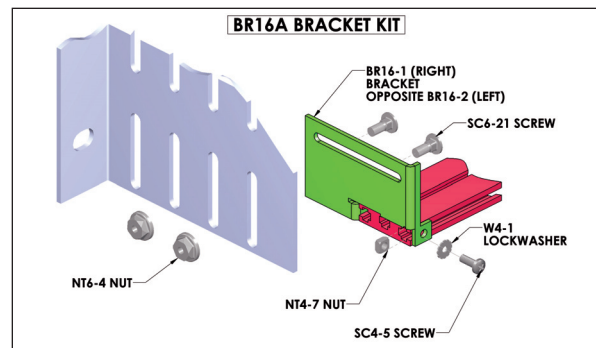
To mount connectors, simply slide nut into desired position and fasten with screws and lockwasher as illustrated. SC4-28 screws available in bulk quantities.



TS169-6/90

BR16A Bracket Kit includes two each BR16-1 (right) and BR16-2 (left) brackets plus installation hardware. Bracket assemblies are normally used on rear strut, though front strut may use them as well. HD90 Self-tapping Screws (pkg. 12 not shown) may also be used to mount T-struts to sidewalls.

NT4-7PA: Pkg 25 nuts that load into "T-Strut" groove



End Part No.	Length	Width	Method of Fastening	Fig.	Description
TS81	8.12"	1"	BR16 Brackets or HD90 Screws	1	1" wide T-strut, Pk. of 1 each
TS81-5/90	8.12"	1"	BR16 Brackets or HD90 Screws	4	1" wide T-strut, Pk. of 1 each
TS169	16.85"	1"	BR16 Brackets or HD90 Screws	1	1" wide T-strut, Pk. of 1 each
TSW169	16.85"	1.75"	HD90 Screws	5	1.75" wide T-strut, Pk. of 1 each
TS169-6/90	16.85"	1"	HD90 Screws	4	1" wide T-strut, Pk. of 1 each, dimpled for Snap-in guide insertion
TS209	20.85"	1"	BR16 Brackets or HD90 Screws	1	1" wide T-strut, Pk. of 1 each
TS300	30.00"	1"	Raw Stock	1	1" wide T-strut, Pk. of 1 each
TSW300	30.00"	1.75"	Raw Stock	5	1.75" wide T-strut, Pk. of 1 each
TS600	60.00"	1"	Raw Stock/pkg.	3	1" wide T-strut, Pk. of 4 pcs.

Custom lengths available on request

