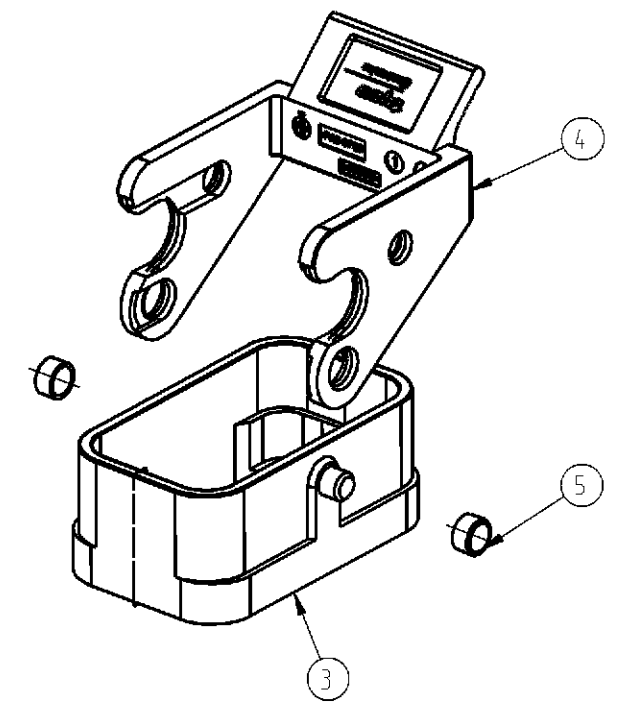
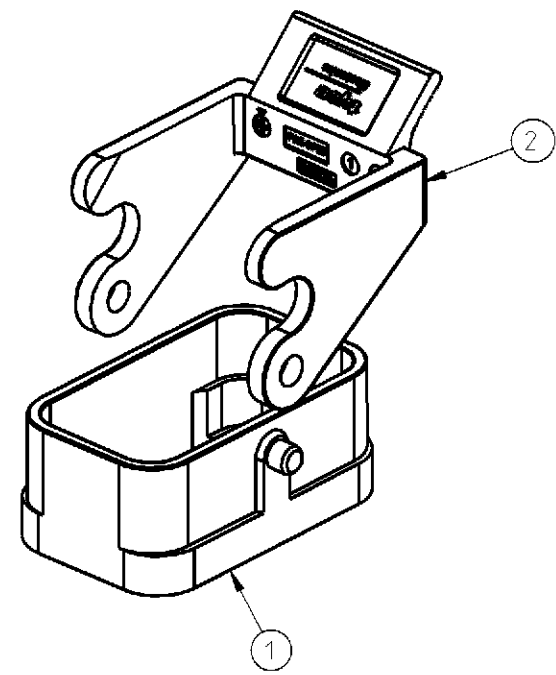
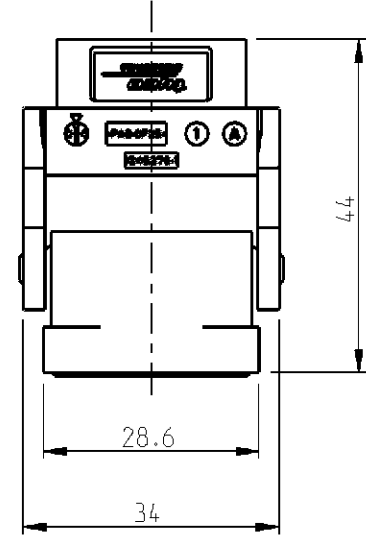
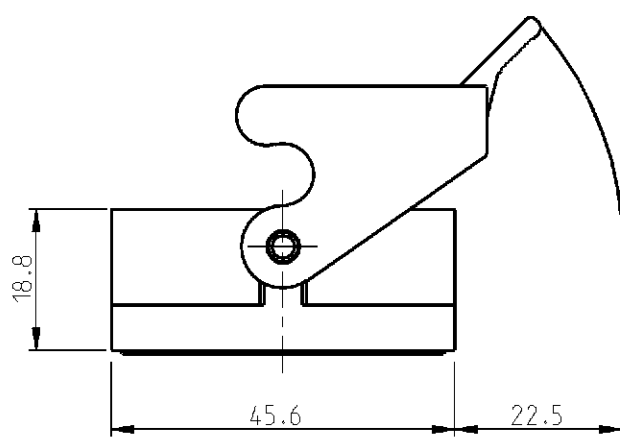


THIS DRAWING IS UNPUBLISHED. RELEASED FOR PUBLICATION

© COPYRIGHT 2000 BY TYCO ELECTRONICS CORPORATION. ALL RIGHTS RESERVED.

LOC	DIST	REVISIONS				
P	LTR	DESCRIPTION	DATE	DWN	APVD	
A1						
	B2	RELEASED AS PER ECR-07-013664	08.Jun.07	NSJ	ST	

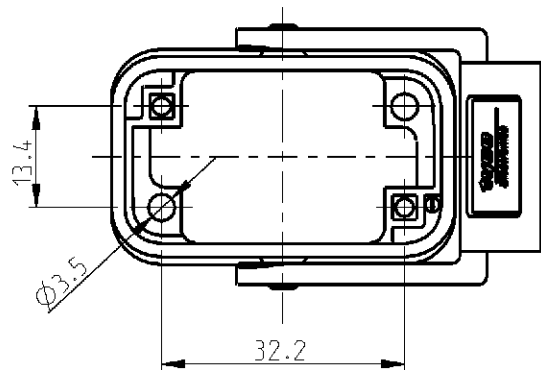


PN 0-1 AS SHOWN

PN 0-2 AS SHOWN

NOTES

1 PACKAGING
PACKAGING QUANTITY: 5 PIECES



QTY. 0-2	QTY. 0-1	DESCRIPTION	MATERIAL	COLOR	NOTE	ITEM
		2 BUSH	BRASS	-	-	5
		1 SIDE CLIP REINFORCED	-	-	-	4
		1 SURFACE MOUNTED HOUSING BOTTOM ENTRY	PA6.6-GF25	SILVER	EMV-SHIELDING	3
		- 1 SIDE CLIP	PA6.6-GF25	BLACK		2
		- 1 SURFACE MOUNTED HOUSING BOTTOM ENTRY	PA6.6-GF25	BLACK		1

HG-Q AG-LB
HG-EMV-Q.AG-LB

<small>THIS DRAWING IS A CONTROLLED DOCUMENT FOR TYCO ELECTRONICS CORPORATION. IT IS SUBJECT TO CHANGE AND THE CONTROLLING ENGINEERING ORGANIZATION SHOULD BE CONTACTED FOR THE LATEST REVISION.</small>		DWN Schneider 18.11.04 CHK Schneider 18.11.04 APVD T. Schnurpfel 18.11.04	tyco Electronics Tyco Electronics AMP GmbH D - 53819, Neunkirchen, Germany
DIMENSIONS: mm 	TOLERANCES UNLESS OTHERWISE SPECIFIED: n-ISO 8015: n-ISO 2768-MH-E: n-DIN 16901-120 0 PLC ± 1 PLC ± 2 PLC ± 3 PLC ± 4 PLC ± ANGLES ±	PRODUCT SPEC 108-74XXX APPLICATION SPEC 114-74XXX WEIGHT 0.XXX KG	NAME ASSY SURFACE MOUNTED HOUSING SERIES HG-Q SIZE A3 CAGE CODE 00779 DRAWING NO C-1103072 RESTRICTED TO
MATERIAL 1	FINISH 3	CUSTOMER DRAWING	SCALE 1:1 SHEET 1 OF 1 REV B2