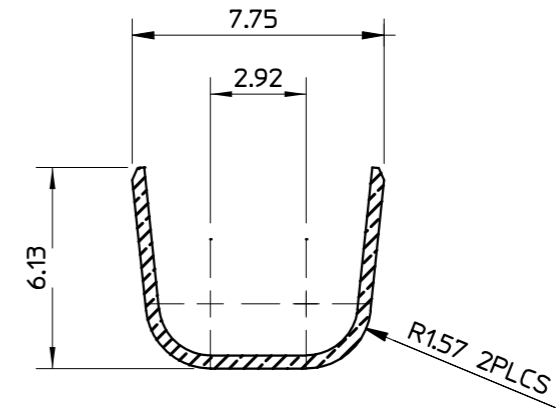
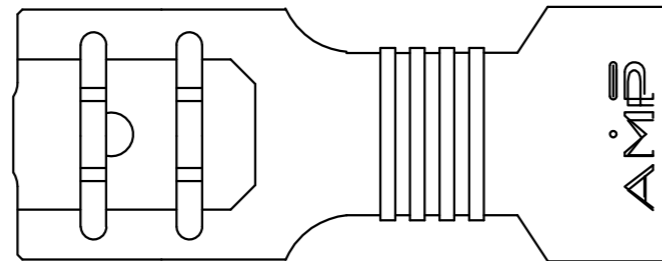



SECTION A-A



SECTION B-B



		SUPERSEDED BY -7		-	PRE TIN	BRASS	190549-7
				-	POST TIN PLATED	BRASS	190549-4
		WIRE RANGE: 2X1.5 sq mm		-	-	NICKEL SILVER	190549-2
		INSULATION RANGE: Ø2X3.3 mm		REMARKS	FINISH	MATERIAL	PART No
				MATERIAL SEE TABLE		FINISH SEE TABLE	
				DATE 18/04/94	CHK W RIEDE		 <small>Australian AMP Pty. Limited Hudson Avenue, CASTLE HILL NSW</small>
				DR H THAI	APP -		
				NAME RECEPTACLE, FASTON, DOUBLE WIRE, 0.250			LOC U
		SCALE 4:1		SIZE A3	DWG No. C-190549		SHEET 1 OF 1
P	F	LTR	REVISION RECORD	APP	DATE		

THIS INFORMATION IS CONFIDENTIAL AND DISCLOSED TO YOU ON CONDITION THAT NO FURTHER DISCLOSURE IS MADE BY YOU TO OTHER THAN AMP PERSONNEL WITHOUT WRITTEN AUTHORIZATION FROM AUSTRALIAN AMP