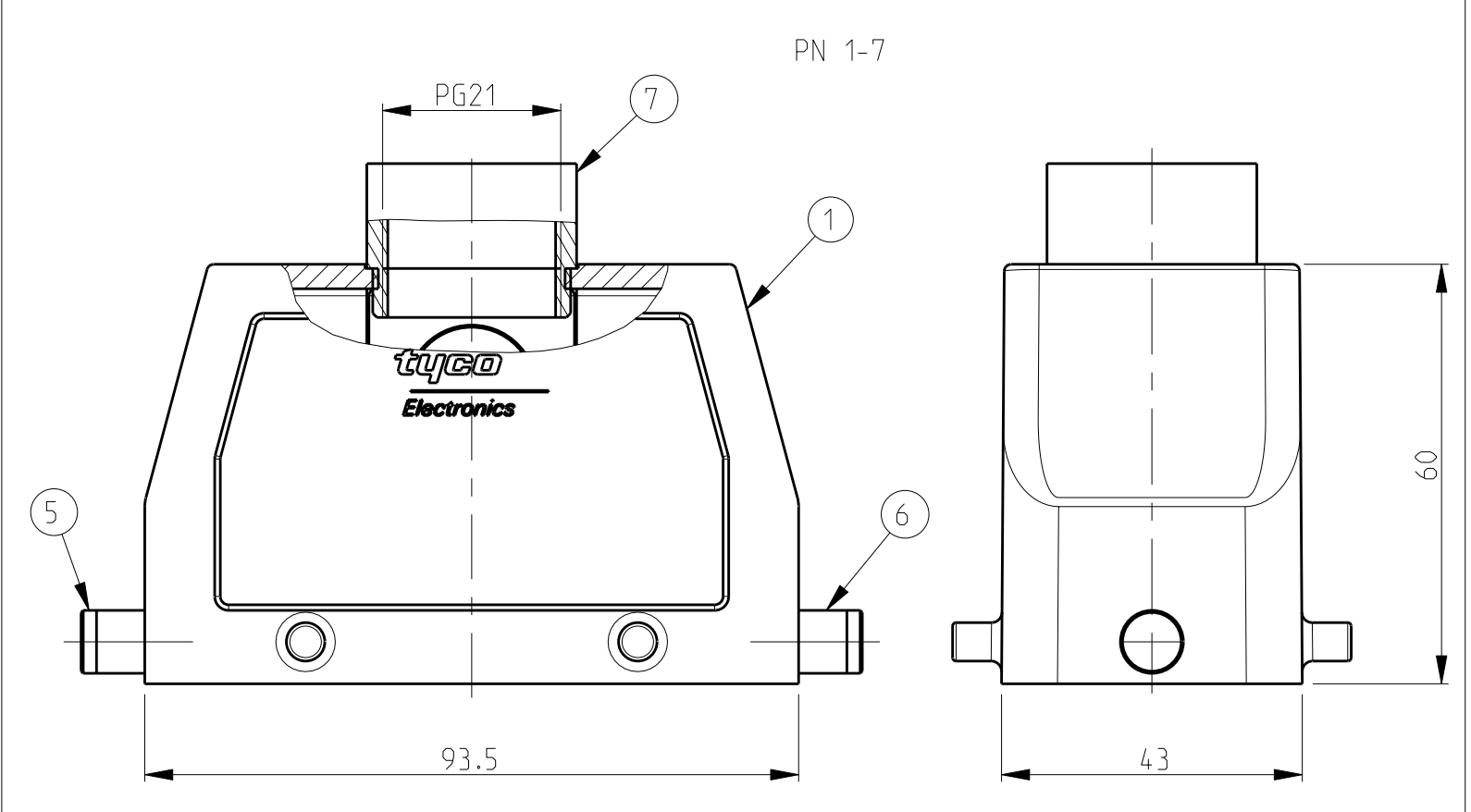
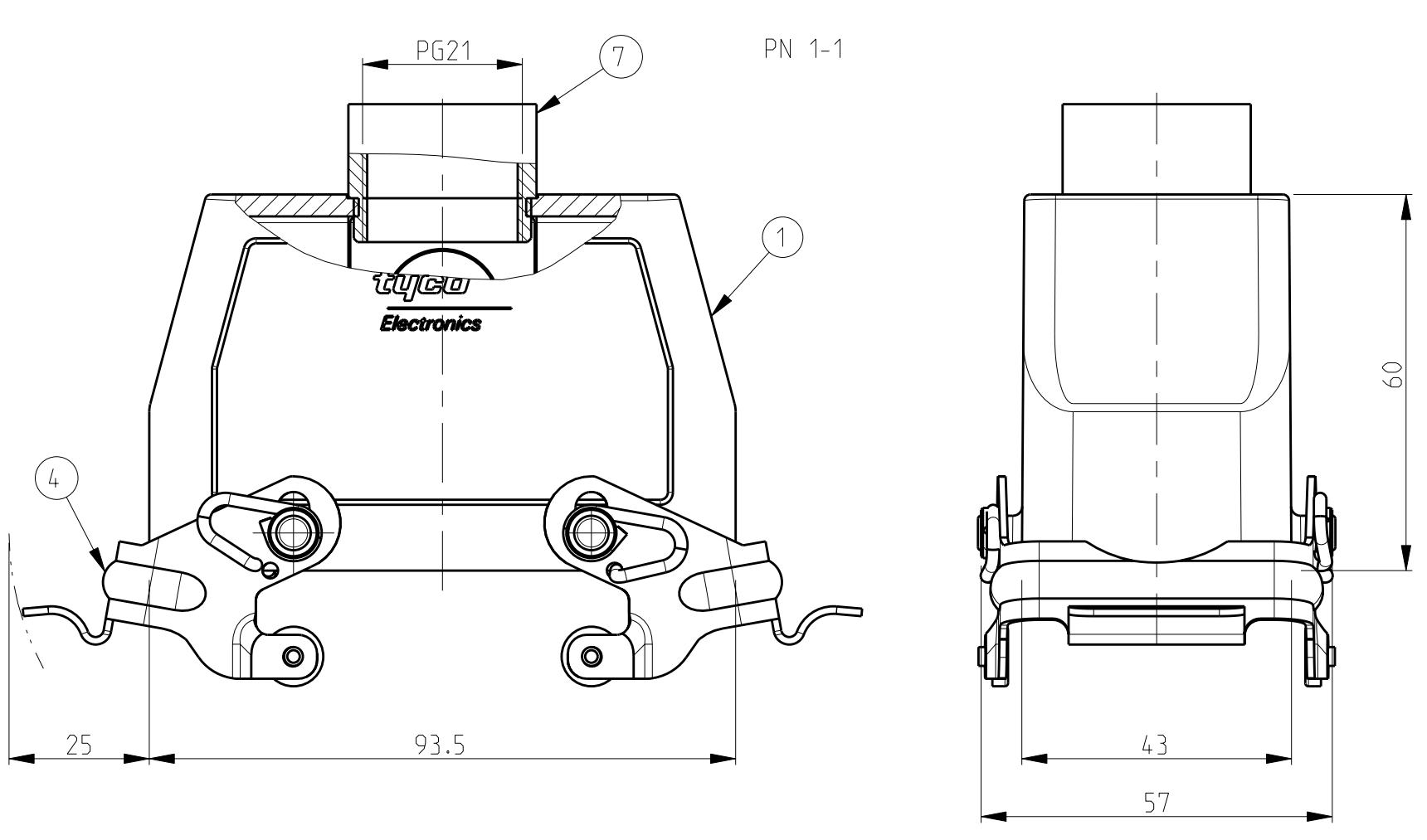
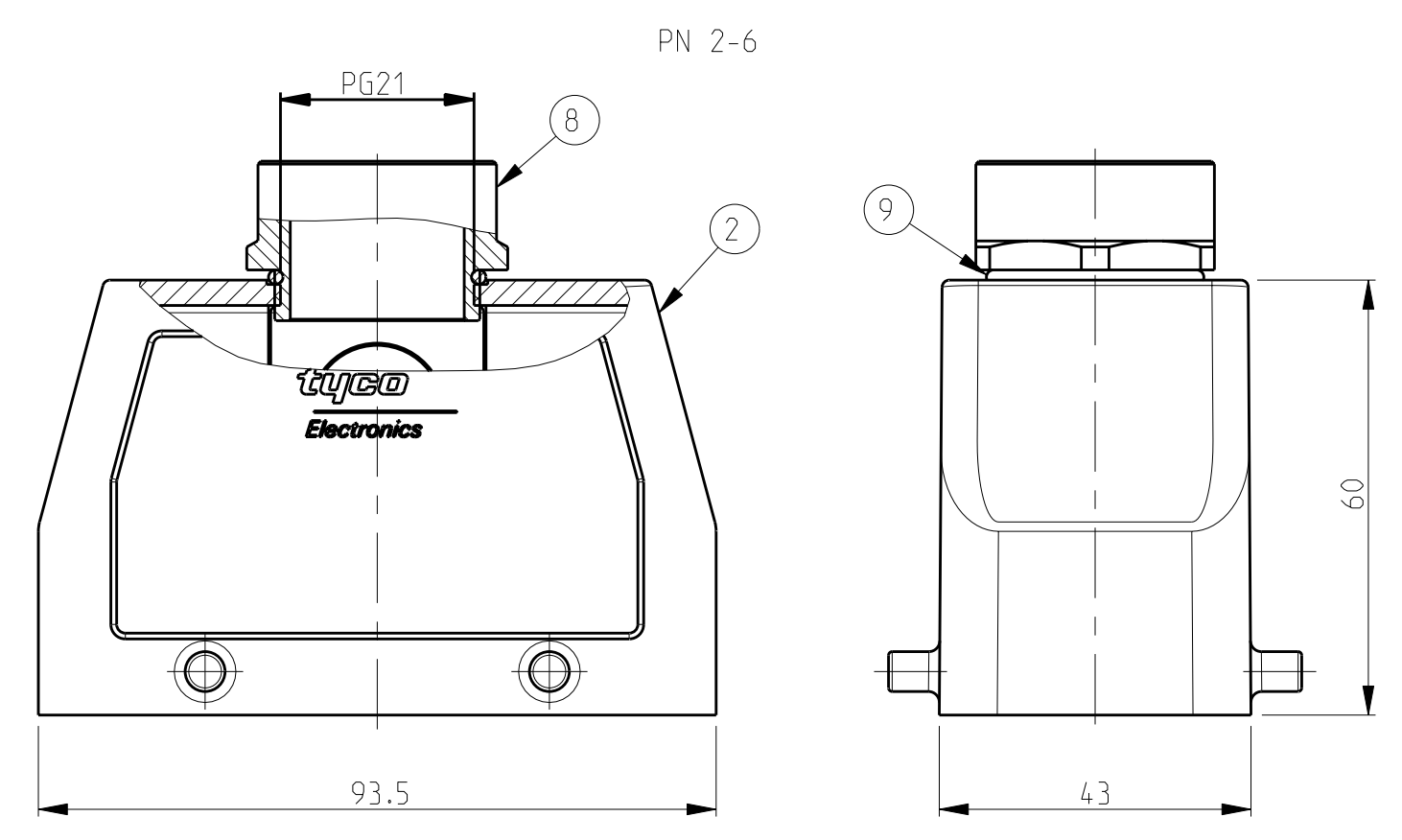
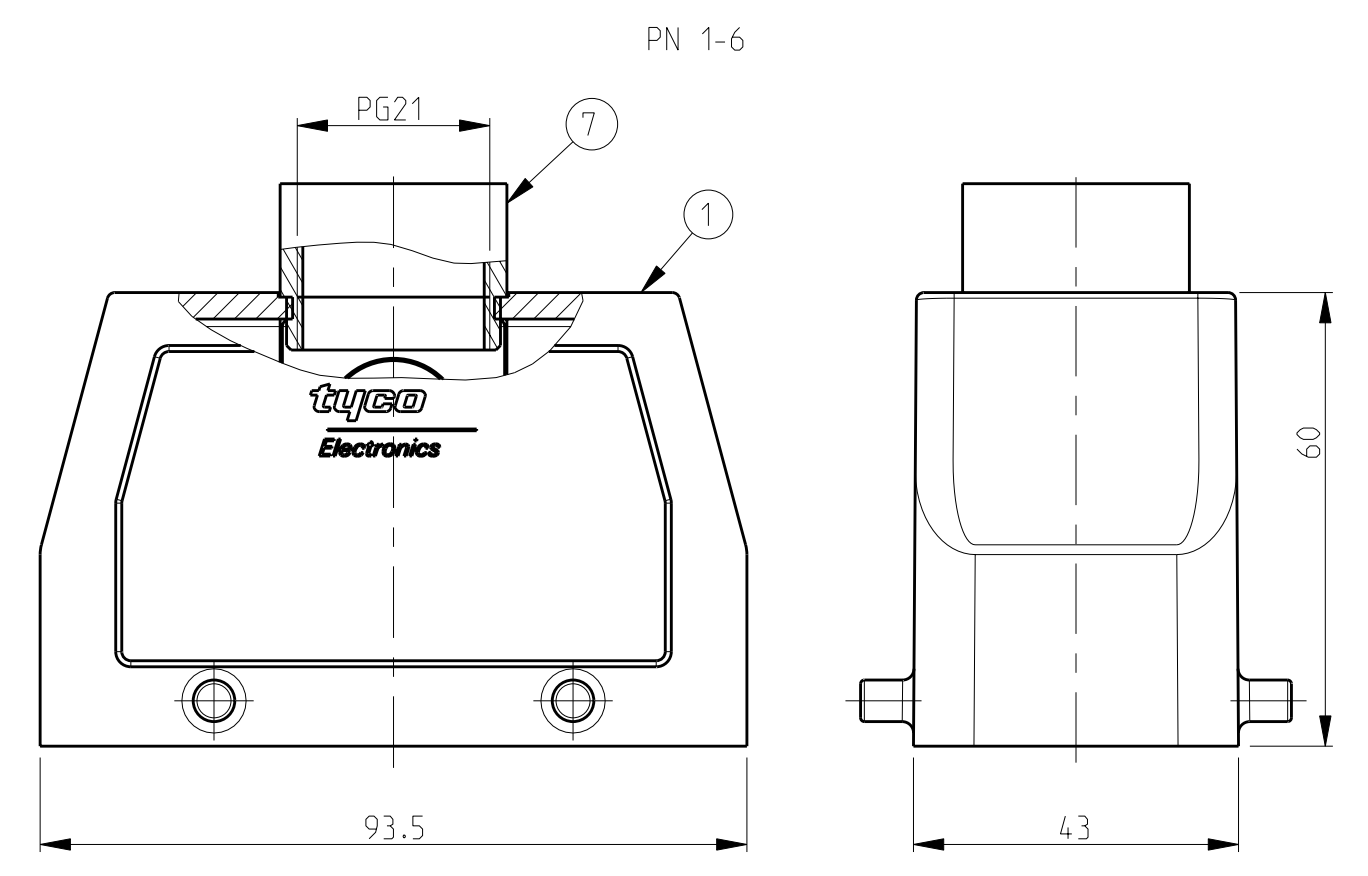
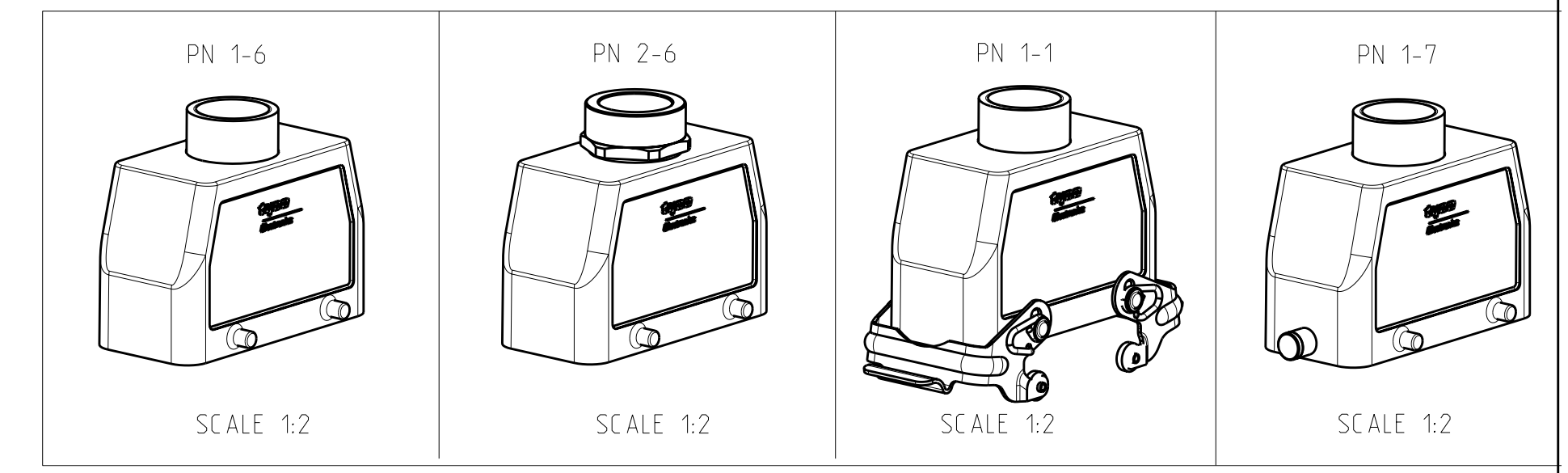


LOC	DIST	REVISIONS			
P	LTB	DESCRIPTION	DATE	DWN	APVD
A3		Released as per ECR-08-011918	12.May.2008	SP	TS



- NOTES
- 1 Material: Housing: aluminium diecasting alloy
  - 2 Surface:- Varnish grey  
Aluminium oxide-Varnish Black
  - 3 Varnish on the inside not necessary
  - 4 Packaging  
Packaging quantity 5 piece in a box



QTY	REF	DESCRIPTION	MATERIAL	SURFACE	COLOR	ITEM NO	NOTES		
1	1	O-Ring Pg21	Brass	Nickel Plated	Black	9			
1	1	6-Kt-Adapter Pg21	Brass	Nickel Plated	Black	8			
1	1	1 Adapter Pg21	Brass	Nickel Plated	Black	7			
2		LB-Slide Spool	Steel	Zinc Plated	Blue	6			
2		LB-Clip bolt	Steel	Zinc Plated	Blue	5			
2		VS-Locking Clip	Steel	Zinc Plated	Blue	4			
		VS-CLIP BOLT	Stainless Steel			3			
1		Hood HB16	Aluminium	Aluminium Oxide	Black	2			
1	1	1 Hood HB16	Aluminium		Grey	1			
1-7	1-1	2-6	1-6	DESCRIPTION	MATERIAL	SURFACE	COLOR	ITEM NO	NOTES
ORDERING TEXT									
HB.16.STO.1.21.Z									
HB-K.16.STO.1.21.Z									
HB.16.STO-VS.1.21.Z									
HB.16.STO-GR.1.21.Z									

DIMENSIONS:		TOLERANCES UNLESS OTHERWISE SPECIFIED:		DWN Schneider 05.06.02		Tyco Electronics Tyco Electronics AMP GmbH D-53819 Neunkirchen, Germany			
mm		0.25 mm 0.50 mm 1.00 mm 1.50 mm 2.00 mm 3.00 mm 4.00 mm 5.00 mm 6.00 mm 8.00 mm 10.00 mm 12.00 mm 15.00 mm 20.00 mm 25.00 mm 30.00 mm 40.00 mm 50.00 mm 60.00 mm 80.00 mm 100.00 mm 120.00 mm 150.00 mm 200.00 mm 250.00 mm 300.00 mm 400.00 mm 500.00 mm 600.00 mm 800.00 mm 1000.00 mm		C/AK Schweiger 05.06.02		NAME Hood HB.16.1.21.Z		RESTRICTED TO	
MATERIAL		FINISH		APVD		PRODUCT SPEC 10B-74.001			
						APPLICATION SPEC 114-74.001			
						SIZE CAGE CODE DRAWING NO			
						114-74.004			
						SCALE 1:1 SHEET 1 OF 1 REV A3			