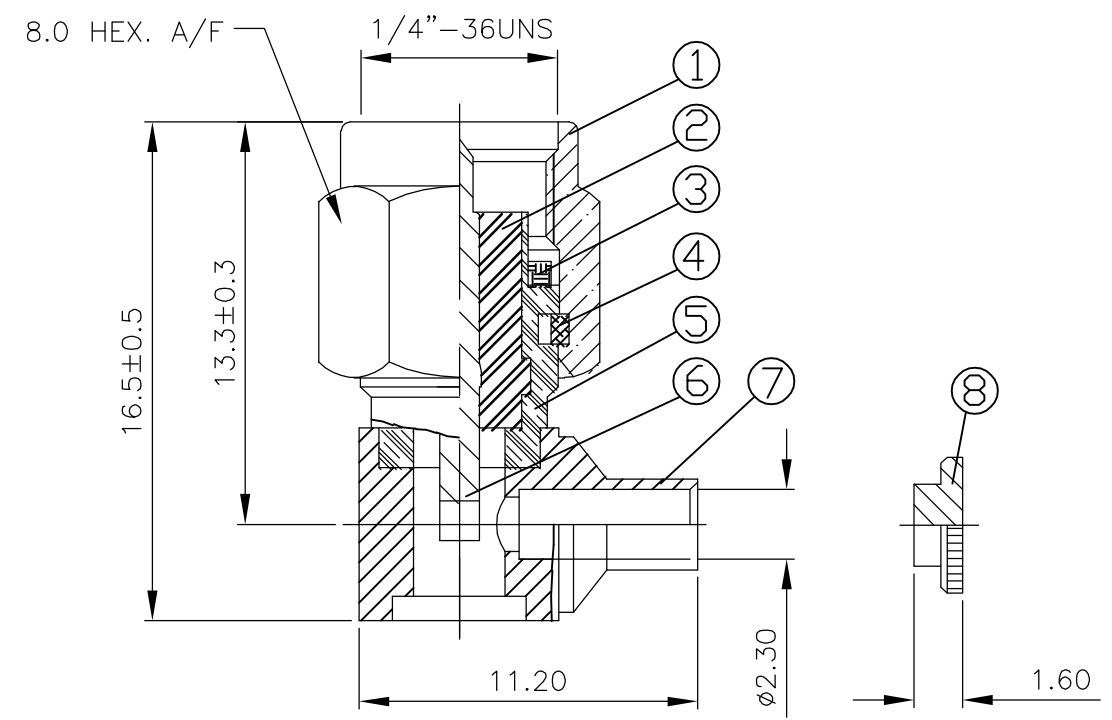
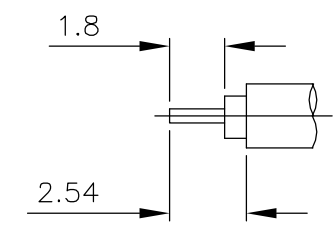


THIS DRAWING IS UNPUBLISHED. RELEASED FOR PUBLICATION APRIL, 2004.
 © COPYRIGHT 2004 BY TYCO ELECTRONICS CORPORATION. ALL RIGHTS RESERVED.

LOC	DIST	REVISIONS					
		P	LTR	DESCRIPTION	DATE	DWN	APVD
E	B		A	EBD0-0035-03	09FEB04	RS	FWK

- NOTES:
- 1 SINGLE PACK IN ACCORDANCE WITH SPEC 107-3275
 - 2 100 TRAY PACK IN ACCORDANCE WITH SPEC 107-3275
 - 3 0.08µm Au PLATING OVER 1.27µm Ni PLATING
 - 4 0.08µm Au PLATING OVER 1.27µm Ni PLATING OVER 0.76µm Cu PLATING
 - 5 0.76µm Au PLATING OVER 1.27µm Ni PLATING OVER 0.76µm Cu PLATING
 - 6 PASSIVATED (GOLD PLATED CABLE ENTRY)
 - 7 FOR TECHNICAL DATA REFER TO YOUR LOCAL TYCO ELECTRONICS SALES OFFICE
 - 8 ALL DIMENSIONS ARE NOMINAL FOR REFERENCE ONLY UNLESS OTHERWISE STATED

RECOMMENDED
CABLE STRIPPING DIM'S



QTY	PLC	PLC	PLC	PLC	PLC	PLC	MATERIAL	DESCRIPTION	ITEM
1	1	-	-	-	-	-	BRASS	4 CAP	8
-	-	1	1	-	-	-	STAINLESS STEEL	6 CAP	8
-	-	-	-	1	1	-	STAINLESS STEEL	3 CAP	8
1	1	-	-	-	-	-	BRASS	4 CHASSIS	7
-	-	1	1	-	-	-	STAINLESS STEEL	6 CHASSIS	7
-	-	-	-	1	1	-	STAINLESS STEEL	3 CHASSIS	7
1	1	1	1	1	1	1	BRASS	5 CENTER CONTACT	6
1	1	-	-	-	-	-	BRASS	4 BODY	5
-	-	1	1	-	-	-	STAINLESS STEEL	6 BODY	5
-	-	-	-	1	1	-	STAINLESS STEEL	3 BODY	5
1	1	1	1	1	1	1	STAINLESS STEEL	CIRCLIP	4
1	1	1	1	1	1	1	SILICON	GASKET	3
1	1	1	1	1	1	1	PTFE	INSULATOR	2
1	1	-	-	-	-	-	BRASS	4 SHELL	1
-	-	1	1	-	-	-	STAINLESS STEEL	6 SHELL	1
-	-	-	-	1	1	-	STAINLESS STEEL	3 SHELL	1
3--1	3--0	2--1	2--0	1--1	1--0		MATERIAL	DESCRIPTION	ITEM
2	1	2	1	2	1				

THIS DRAWING IS A CONTROLLED DOCUMENT.		DWN R.SMITH 09FEB04	Tyco Electronics Corporation Bideford, UK, EX39 4HE		
DIMENSIONS: mm		CHK S.PARLOW 09FEB04			
TOLERANCES UNLESS OTHERWISE SPECIFIED:		APVD F.WHEELER-KING 09FEB04	NAME SMA RIGHT ANGLE PLUG DIRECT SOLDER CAPTIVE CONTACT RG405/U		
0 PLC ± - 1 PLC ± - 2 PLC ± - 3 PLC ± - 4 PLC ± - ANGLS ± -		PRODUCT SPEC 108-3460	SIZE A3		
MATERIAL SEE TABLE		FINISH -	APPLICATION SPEC 411-3276	CAGE CODE 00779	DRAWING NO C-1478906
CUSTOMER DRAWING			WEIGHT -	RESTRICTED TO -	SCALE 1:1
			SHEET 1 OF 1		REV A