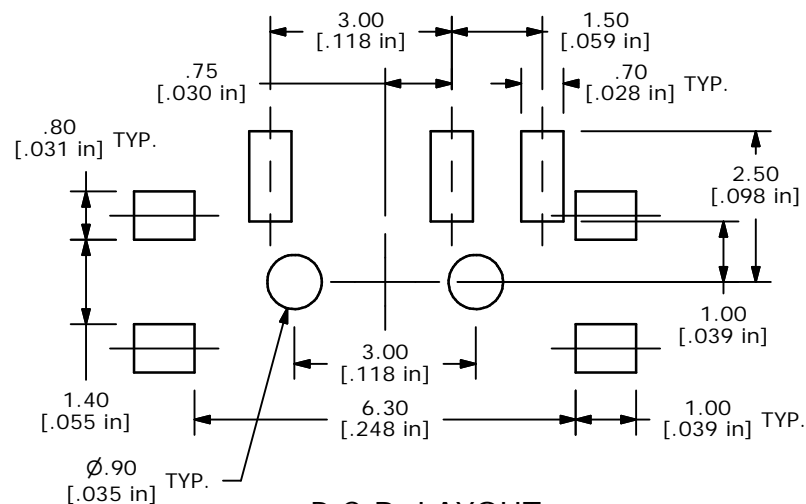
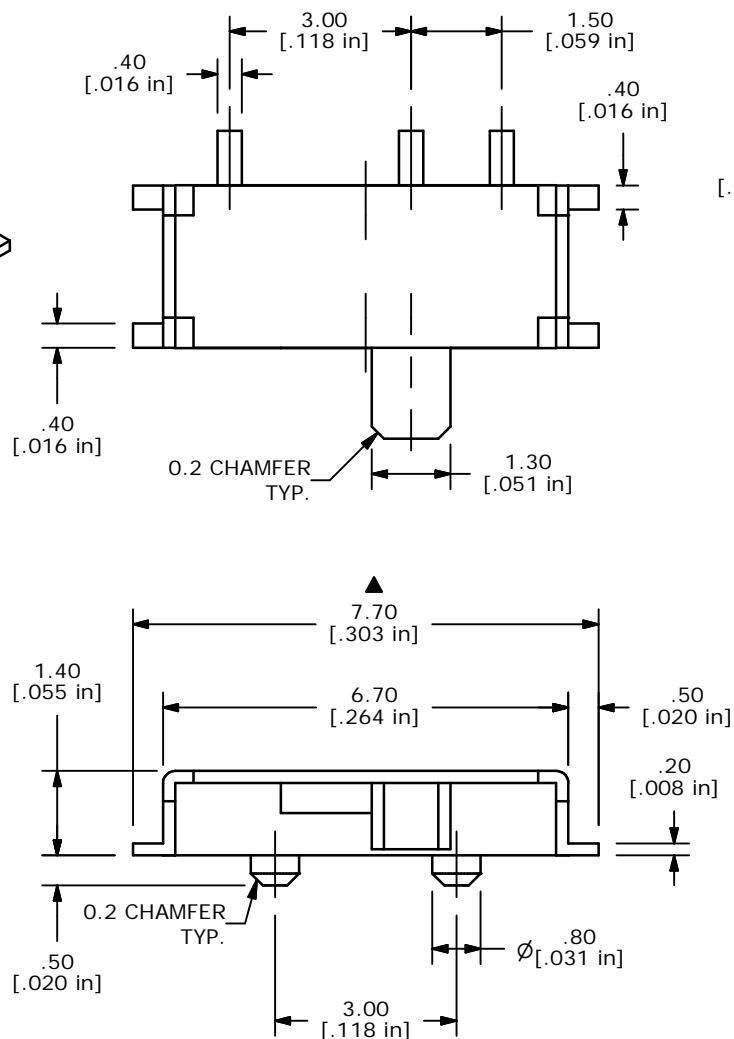
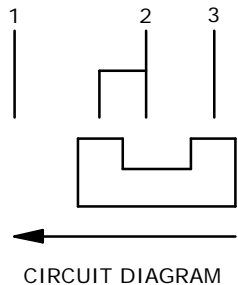
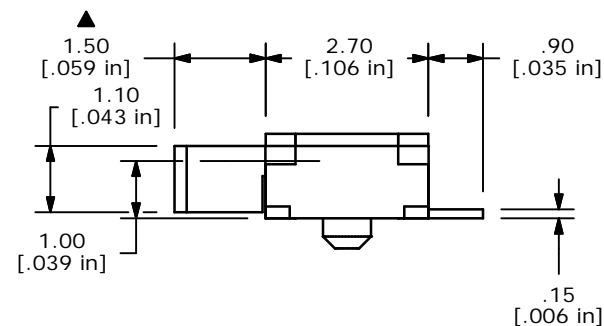


ISOMETRIC



P.C.B. LAYOUT



CIRCUIT DIAGRAM

NOTES:

1. ALL DIMENSIONS IN MM [INCH]
2. GENERAL TOLERANCE: X.X=±0.4  
X.XX=±0.25
3. TERM. NOS. FOR REF. ONLY
4. RATING: 0.3A, 4VDC
- ▲ 5. PLATING: 40 MICRO INCHES NICKEL  
W/40 MICRO INCHES OF SILVER
6. OPERATING FORCE: 150±100GF
7. TRAVEL: 1.50MM
8. ▲ DENOTES CRITICAL PARAMETER.



B	14330	ADD PLATING NOTE, UPDATE TITLE	9/17/04	AR
A	13514	RELEASED FOR PRODUCTION	10/8/03	AR
REV	PCR NO	DESCRIPTION	DATE	BY

THE INFORMATION CONTAINED IN THIS DOCUMENT IS PROPRIETARY TO E-SWITCH AND IS NOT TO BE COPIED OR TRANSFERRED



TITLE EG1260ASQ				
SCALE	DATE	DR	DWG	REV
4:1	10/7/03	AR	D041200	B