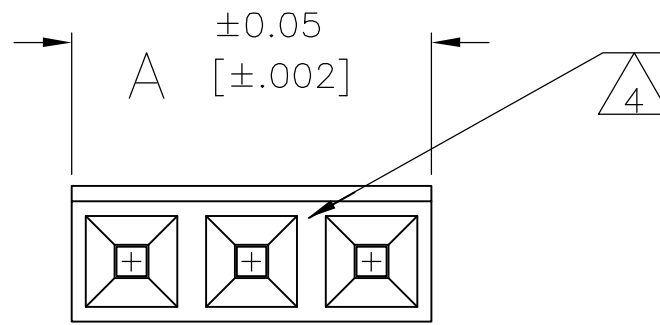
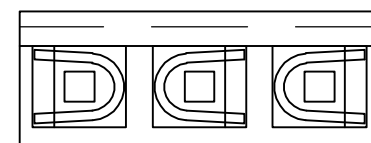
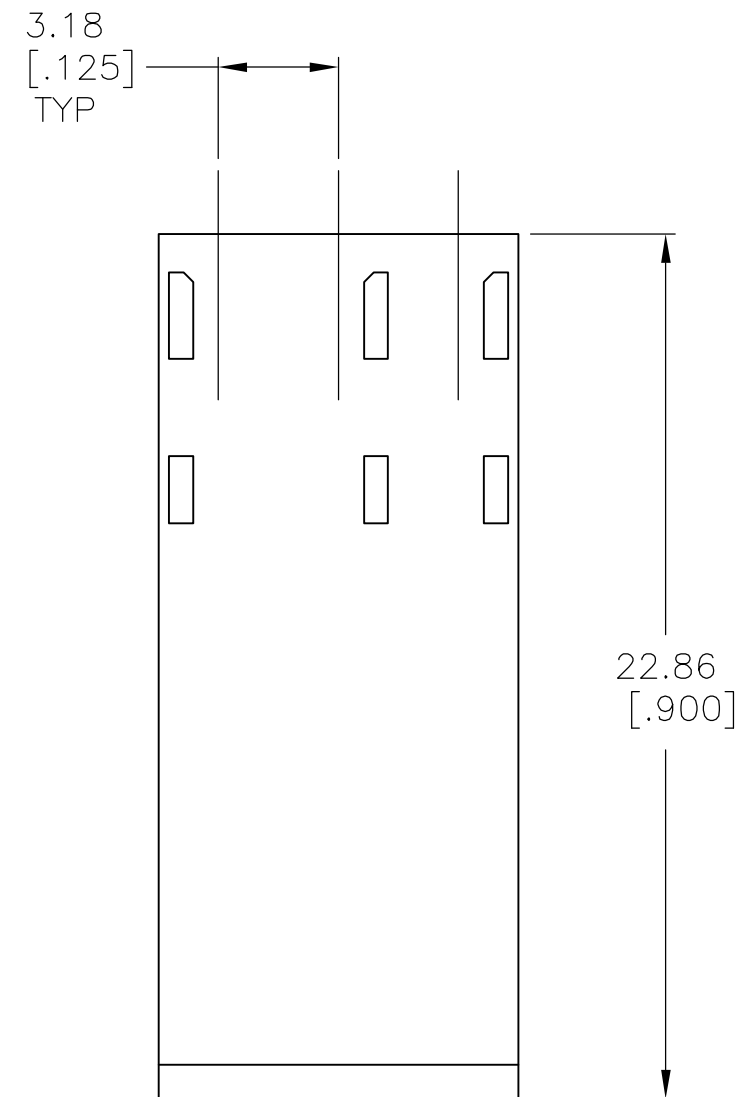
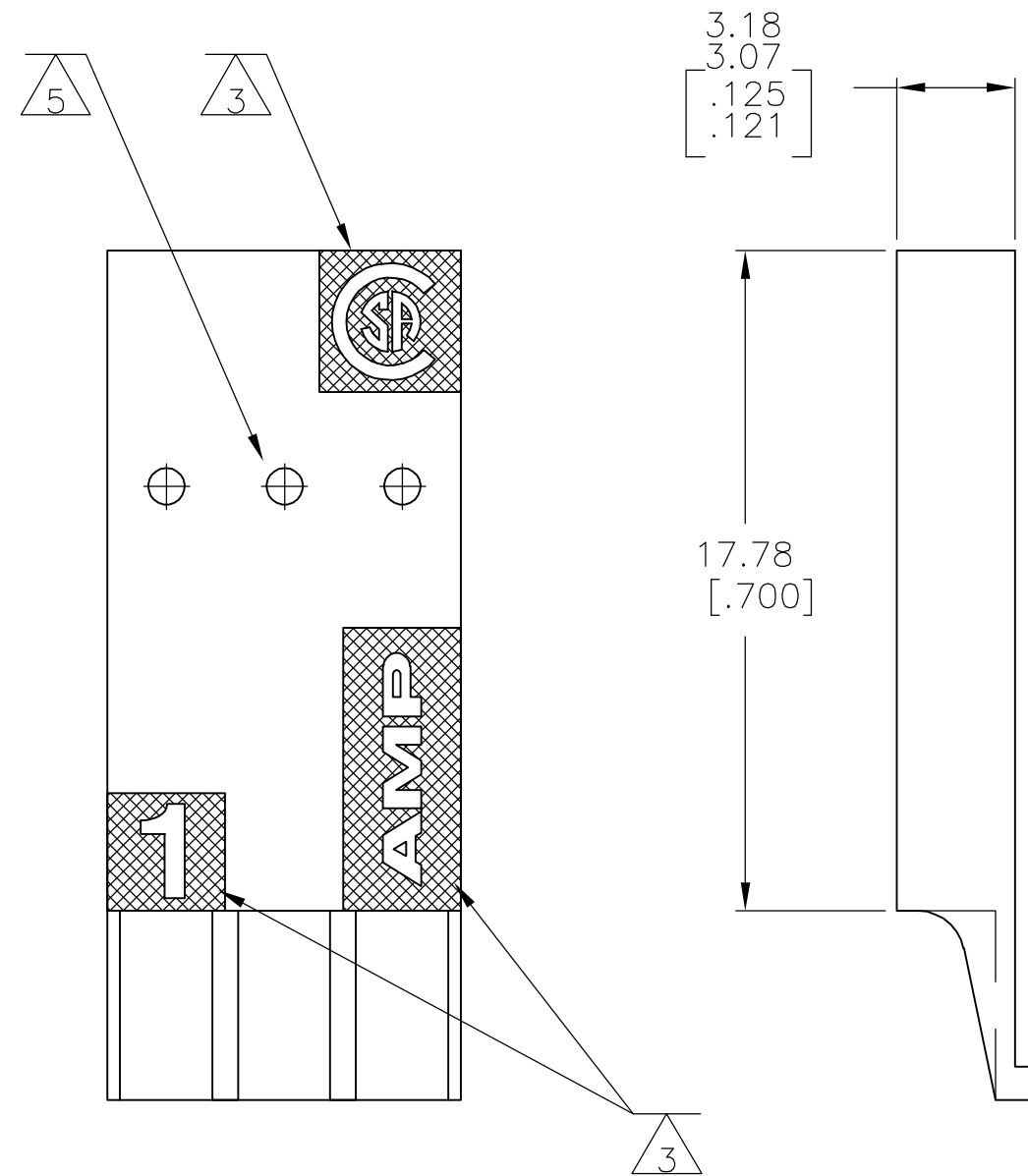


THIS DRAWING IS UNPUBLISHED. RELEASED FOR PUBLICATION  
 © COPYRIGHT BY TYCO ELECTRONICS CORPORATION. ALL RIGHTS RESERVED.

LOC	DIST	REVISIONS			
P	LTR	DESCRIPTION	DATE	DWN	APVD
AD	00	D1	REVISED PER ECO-06-005256	8SEP06	GS EN



- THREE POSITION AS SHOWN, SEE TABLE FOR TWO POSITION DIMENSIONS.
- HOUSING WILL ACCEPT LOCKING CLIP .025 SQR. CONTACTS.
- CHARACTERS MOLDED IN TEXTURED AREA, AREA RAISED .0003-.0007.
- MOLD GATE AREA, RECESSED.
- OPTIONAL, AT MOLDERS DISCRETION. FLASH PERMISSIBLE.



CONTACTS SHOWN FOR ORIENTATION REF. ONLY

9.47 [.373]	3	104905-2
6.30 [.248]	2	104905-1
A	NO OF POSN.	PART NUMBER

THIS DRAWING IS A CONTROLLED DOCUMENT.		DWN	S. SHUEY	11APR94	 Tyco Electronics Corporation Harrisburg, Pa 17105-3608																				
DIMENSIONS: mm [INCHES]		CHK	S. SHUEY	11APR94																					
TOLERANCES UNLESS OTHERWISE SPECIFIED:		APVD	D. DUPLER	11APR94																					
<table border="0"> <tr><td>0 PLC</td><td>±</td><td>-</td></tr> <tr><td>1 PLC</td><td>±</td><td>-</td></tr> <tr><td>2 PLC</td><td>±</td><td>0.13[.005]</td></tr> <tr><td>3 PLC</td><td>±</td><td>-</td></tr> <tr><td>4 PLC</td><td>±</td><td>-</td></tr> <tr><td>ANGLES</td><td>±</td><td>-</td></tr> <tr><td>FINISH</td><td>-</td><td>-</td></tr> </table>		0 PLC	±	-		1 PLC	±	-	2 PLC	±	0.13[.005]	3 PLC	±	-	4 PLC	±	-	ANGLES	±	-	FINISH	-	-	PRODUCT SPEC 108-36028 APPLICATION SPEC 114-25006	
0 PLC	±	-																							
1 PLC	±	-																							
2 PLC	±	0.13[.005]																							
3 PLC	±	-																							
4 PLC	±	-																							
ANGLES	±	-																							
FINISH	-	-																							
MATERIAL	GLASS FILLED POLYESTER COLOR-GRAY	WEIGHT	-	CUSTOMER DRAWING	SIZE	A2	CAGE CODE	00779	DRAWING NO	C=104905	RESTRICTED TO	-													
SCALE										5:1	SHEET	1 OF 1	REV	D1											