

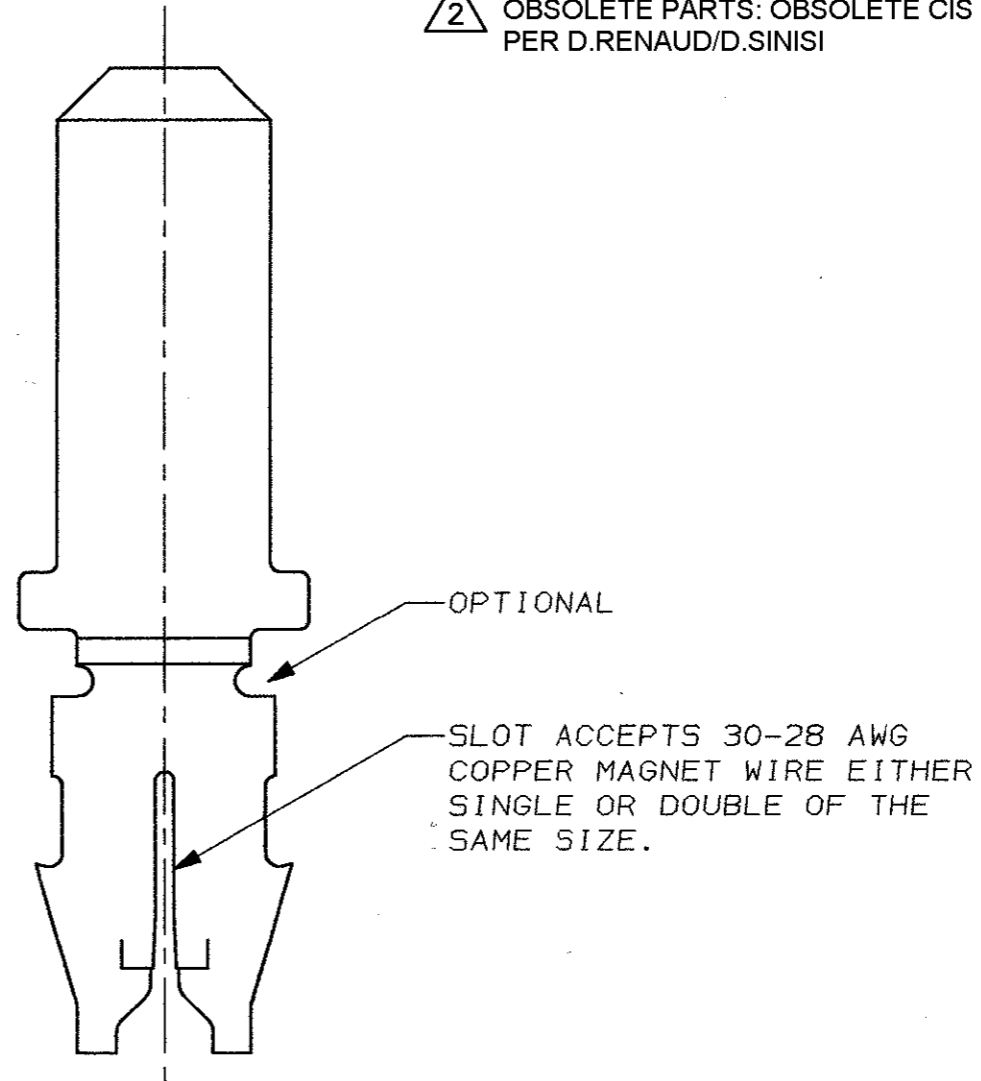
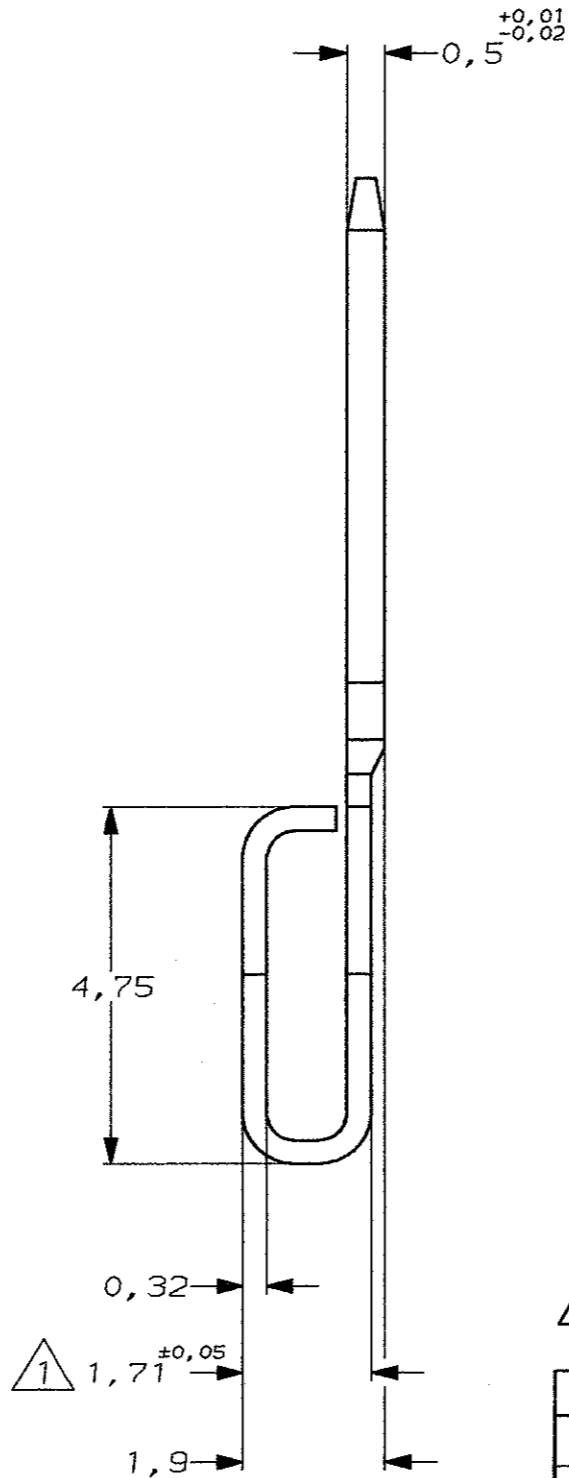
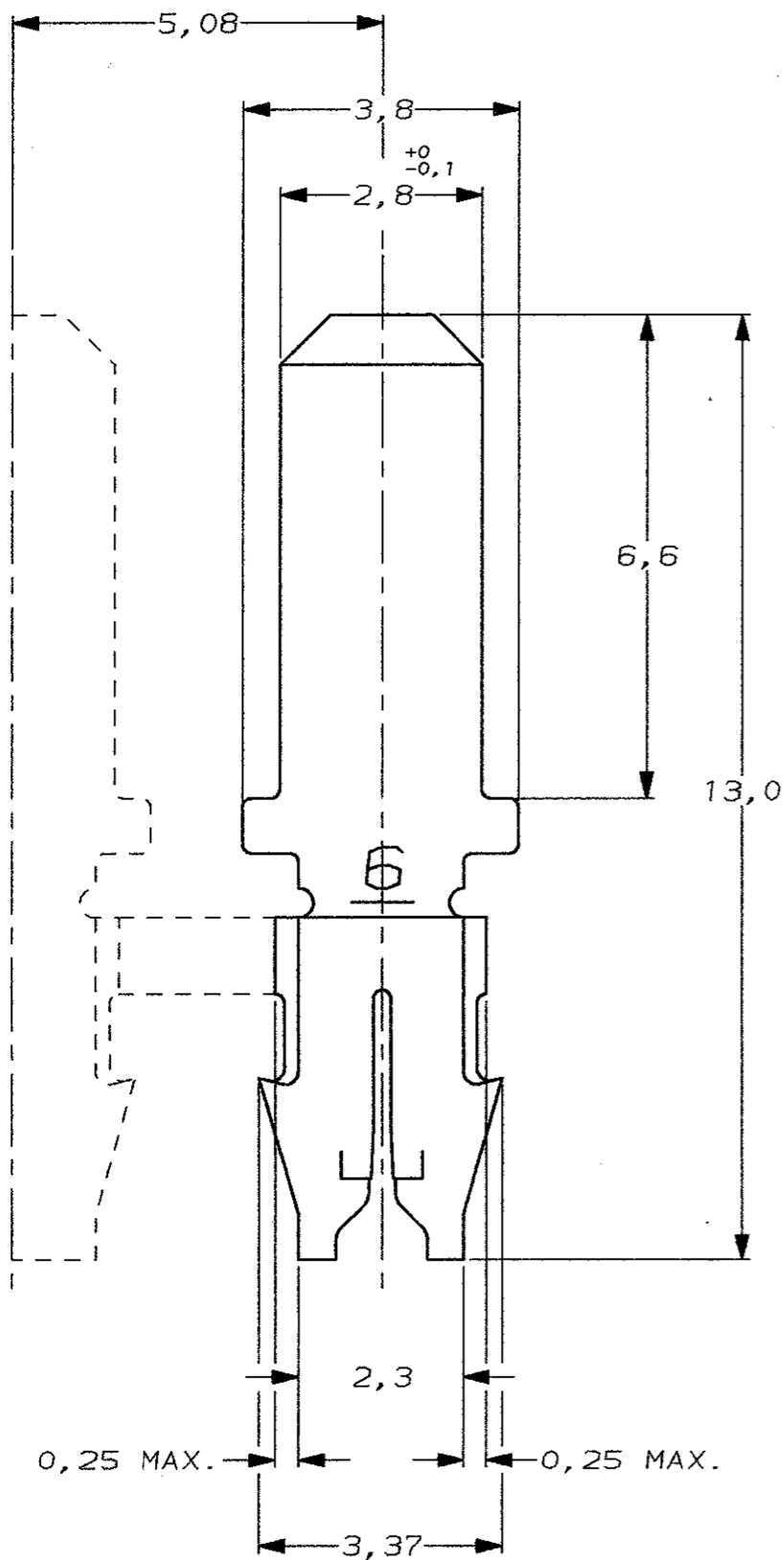
DO NOT SCALE
DIMENSIONS IN mm

METRIC

THIRD ANGLE
PROJECTION

NOTES:

- ① DIMENSION MUST BE CHECKED WITH TOP OF BOX TOUCHING CARRIERSIDE OF BOX.
- ② OBSOLETE PARTS: OBSOLETE CIS STREAMLINING PER D.RENAUD/D.SINISI



WIRE RANGE :
30-28 AWG
INSULATION RANGE :
- DIA.

OBSOLETE		TINPLATED	L.P OF 160810-2	160810-4
		TINPLATED	BRASS	160810-2
		FINISH	MATERIAL	PARTNUMBER
-	-	-	-	-
-	-	-	-	-
-	-	-	-	-
-	-	-	-	-
B1	ECO-09-022178	KK	25/09/09	CUSTOMER DRAWING FOR REFERENCE ONLY WILL NOT BE UPDATED © COPYRIGHT 19- BY AMP HOLLAND B.V. ALL INTERNATIONAL RIGHTS RESERVED. AMP PRODUCTS MAY BE COVERED BY U.S. AND FOREIGN AND/OR PATENTS PENDING. THIS DRAWING IS UNPUBLISHED RELEASED FOR PUBLICATION ,19 AMP AMP HOLLAND B.V. 's-Hertogenbosch, The Netherlands.
B	EH-00-1581-99	MD	MD 08 OCT 99	
A	EH-0945-97	D.K.	M.v. 18 SEP 97	
LTR.	REVISION RECORD	DR.	CHK.	
DR. : D. KESSLER		CHK. : M. v. DRIEL	APP. : M. v. DRIEL	DWG. No.
DATE: 18 SEP 97		DATE: 19/09/09	DATE: 19/09/09	C-160810
			REV. LTR.	SHEET
			B1	1 OF 1
				A3