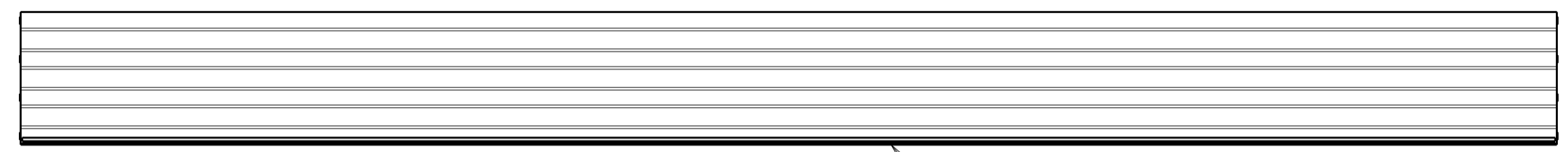


THIS DRAWING IS UNPUBLISHED. RELEASED FOR PUBLICATION 20  
 © COPYRIGHT 20 BY TYCO ELECTRONICS CORPORATION. ALL INTERNATIONAL RIGHTS RESERVED.

LOC		DIST		REVISIONS			
P	LTR	DESCRIPTION	DATE	DWN	APVD		
	1	DRAWN	08NOV2010	RB	BC		
	2	REMOVE BULK PACKAGE P/N'S FROM TABLE	30NOV2010	WVS	BC		

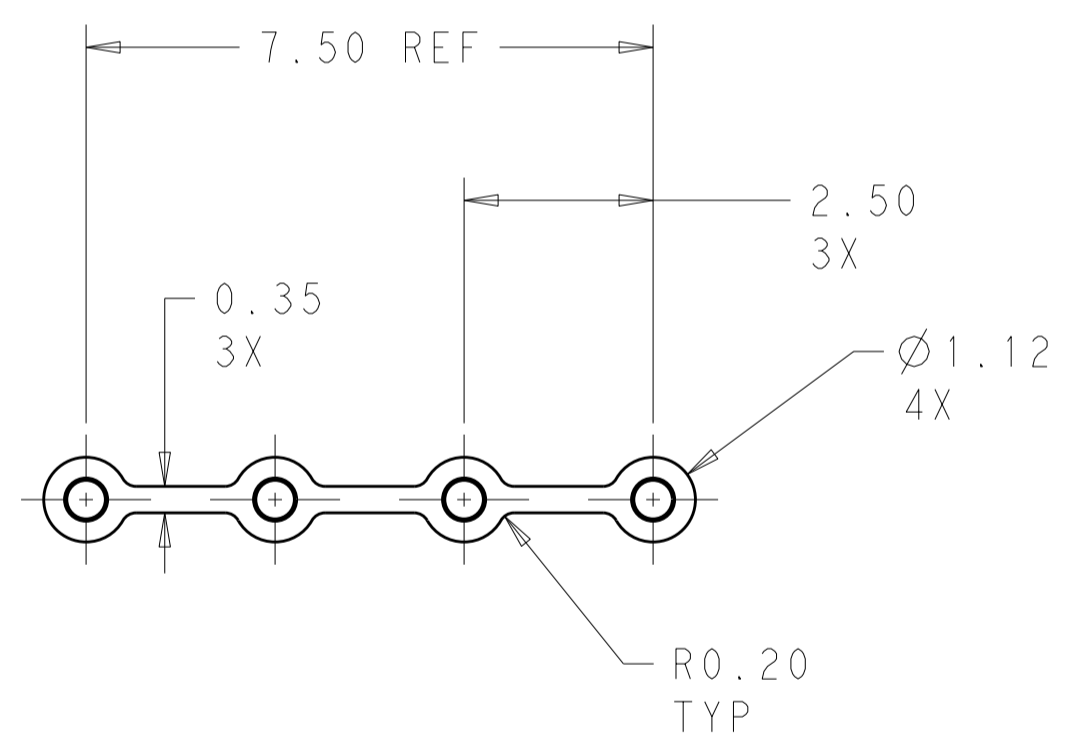


STRIPE COLOR  
(SEE TABLE)

1. MATERIAL: INSULATION - PVC
2. UL STYLE 2651
3. MUST COMPLY WITH DIRECTIVE 2002/95/EC (ROHS)



SEE DETAIL J



DETAIL J  
SCALE 10:1

TYCO ELECTRONICS  
CONFIDENTIAL  
AND PROPRIETARY

PROPOSED DESIGN  
NOT PRODUCTION TOOLED

DESIGN IS SUBJECT TO  
CHANGE WITHOUT NOTICE

STANDARD (1000 FT)	BLUE	2154027-6
	GREEN	2154027-4
	RED	2154027-3
	ORANGE	2154027-1
PACKAGING	STRIPE COLOR	PART NO.

DIMENSIONS:		TOLERANCES UNLESS OTHERWISE SPECIFIED:		DWN	08NOV2010	Tyco Electronics Corporation	
mm		0 PLC	±	R. BROWN	08NOV2010	Harrisburg, PA 17105-3608	
		1 PLC	±	CHK		<b>PRELIMINARY</b>	
		2 PLC	±0.20	B. CHANFY			
		3 PLC	±	APVD			
		4 PLC	±				
		ANGLES	±	PRODUCT SPEC	108-2442	CABLE, MULTI CONDUCTOR, 2.50 CL, 24 AWG	
		FINISH	±	APPLICATION SPEC	114-13290	SIZE	CAGE CODE
MATERIAL	-			WEIGHT	-	A2	00779
				CUSTOMER DRAWING		DRAWING NO	2154027
						RESTRICTED TO	-
						SCALE	3:1
						SHEET	1 OF 1
						REV	2