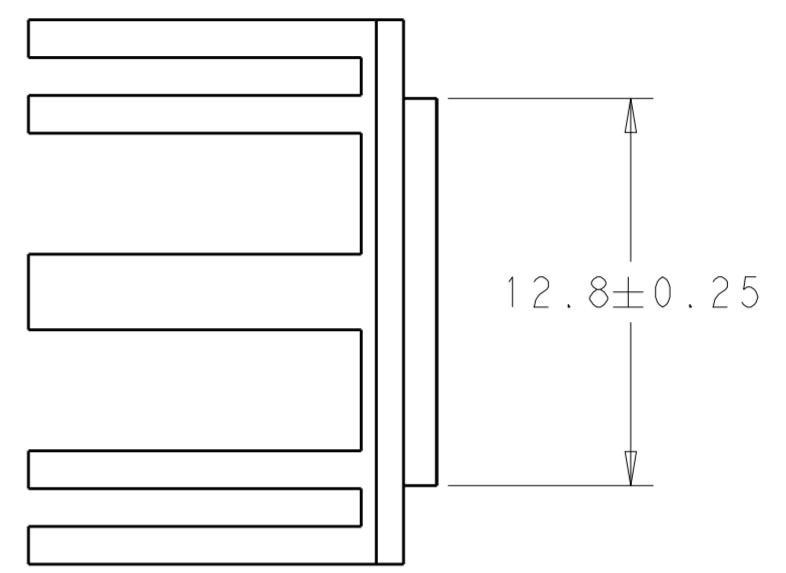
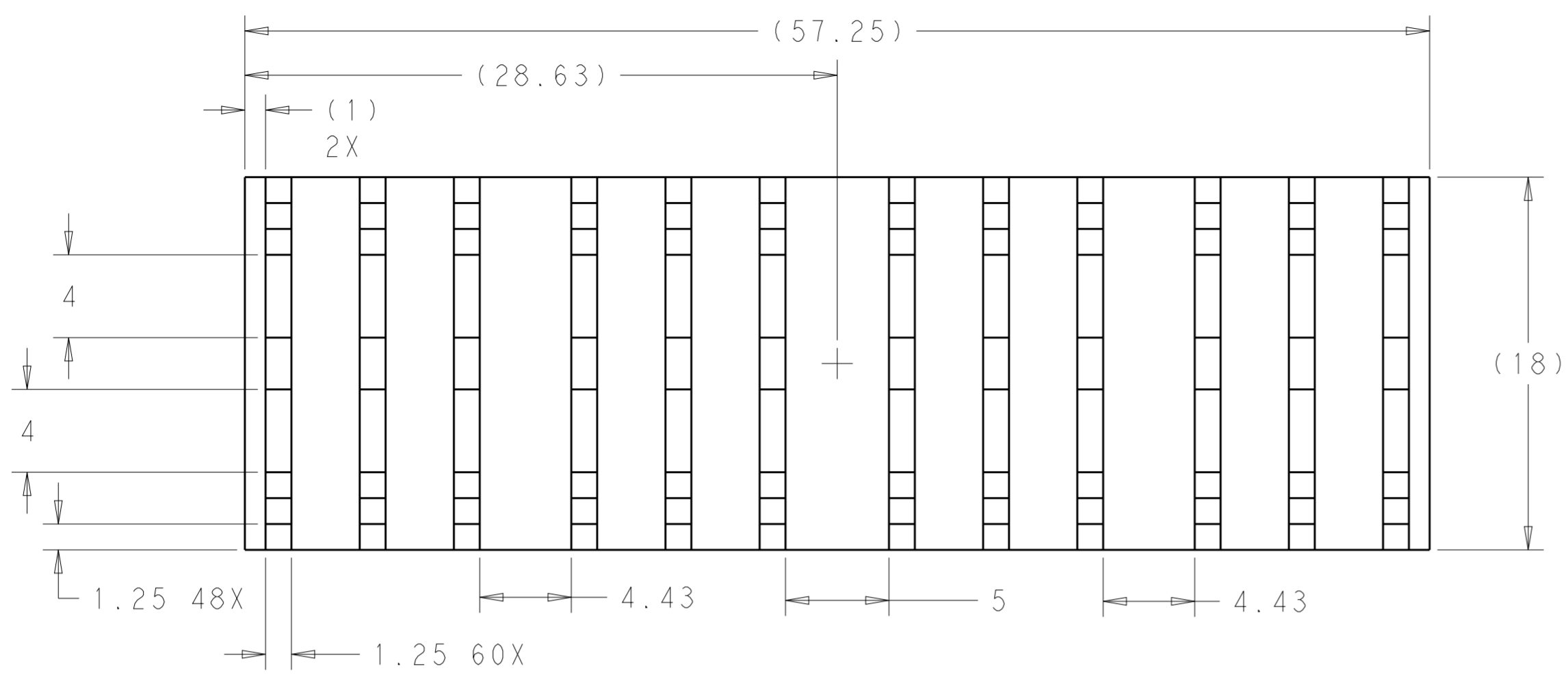
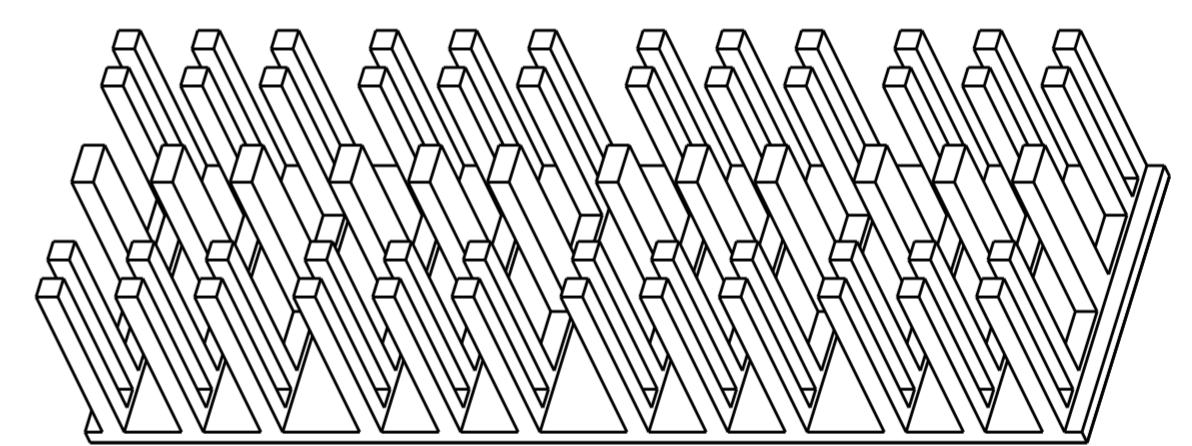
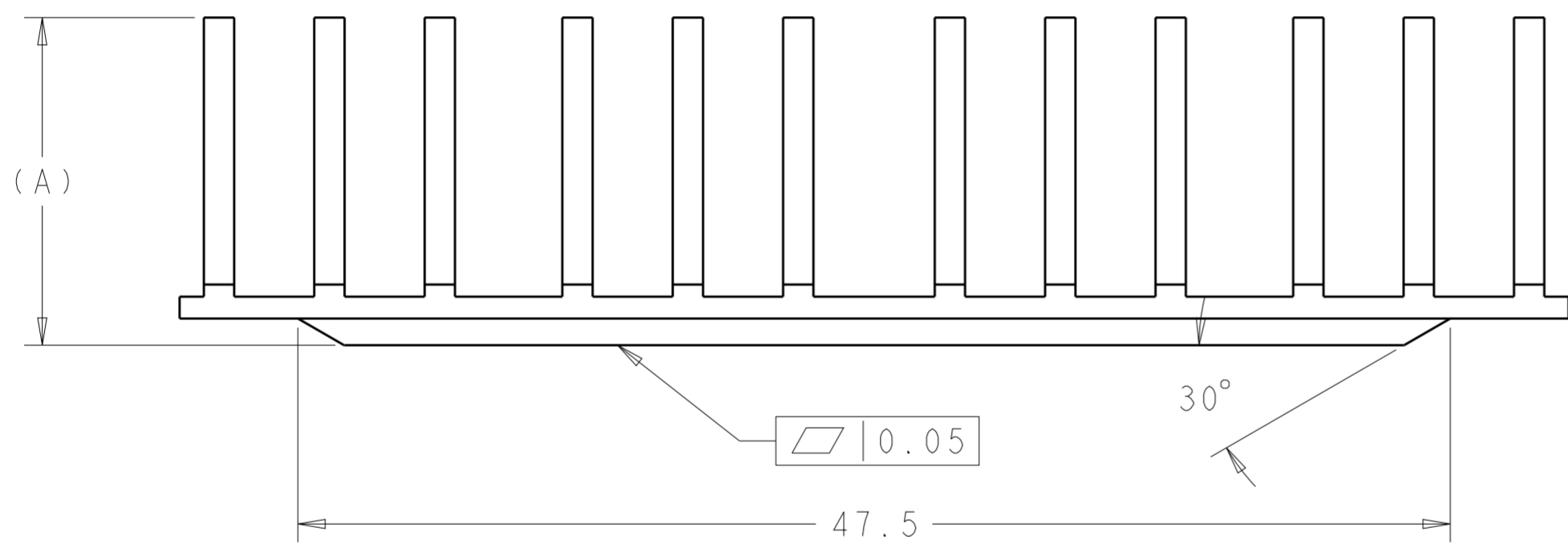


THIS DRAWING IS UNPUBLISHED. RELEASED FOR PUBLICATION 20  
 © COPYRIGHT 20 BY - ALL RIGHTS RESERVED.

LOC		DIST		REVISIONS			
P	LTR	DESCRIPTION	DATE	DWN	APVD		
	A	MASS PRODUCTION	03NOV2016	PP	SH		



SCALE 4:1



SCALE 5:2

NOTES: UNLESS OTHERWISE SPECIFIED:

- ①. MATERIAL: ALUMINUM
- 2. INTERPRET DRAWING PER ASME Y14.5M - 1994.
- ③. FINISH: ANODIZED BLACK
- ④. FINISH: NICKEL PLATED
- 5. 0.20mm MAX BURR
- 6. VARIATION IN PLATING COLOR IS NORMAL AND ALLOWD
- 7. RoHS COMPLIANT AND CERTIFIED

12.7	④	①	2170488-8
12.7	③	①	2170488-6
13.5	④	①	2170488-4
13.5	③	①	2170488-2
DIM A	FINISH	MATERIAL	PART NUMBER

THIS DRAWING IS A CONTROLLED DOCUMENT.		DWN ROBERT 06 JAN 2013	<b>STE</b> TE Connectivity	
		CHK JASON 06 JAN 2013		
DIMENSIONS: mm		APVD ALEX CAI 06 JAN 2013	NAME XFP, MSA NET WORK HEATSINK WITH LIGHT PIPE SLOT	
TOLERANCES UNLESS OTHERWISE SPECIFIED:		PRODUCT SPEC	SIZE CAGE CODE DRAWING NO RESTRICTED TO	
0 PLC ±		APPLICATION SPEC	A200779 C-2170488	
1 PLC ±0.25		WEIGHT	SCALE 1:1 SHEET 1 OF 1 REV A	
2 PLC ±0.15		CUSTOMER DRAWING		
3 PLC ±				
4 PLC ±				
ANGLES ±3				
FINISH				
MATERIAL ALUMINUM				