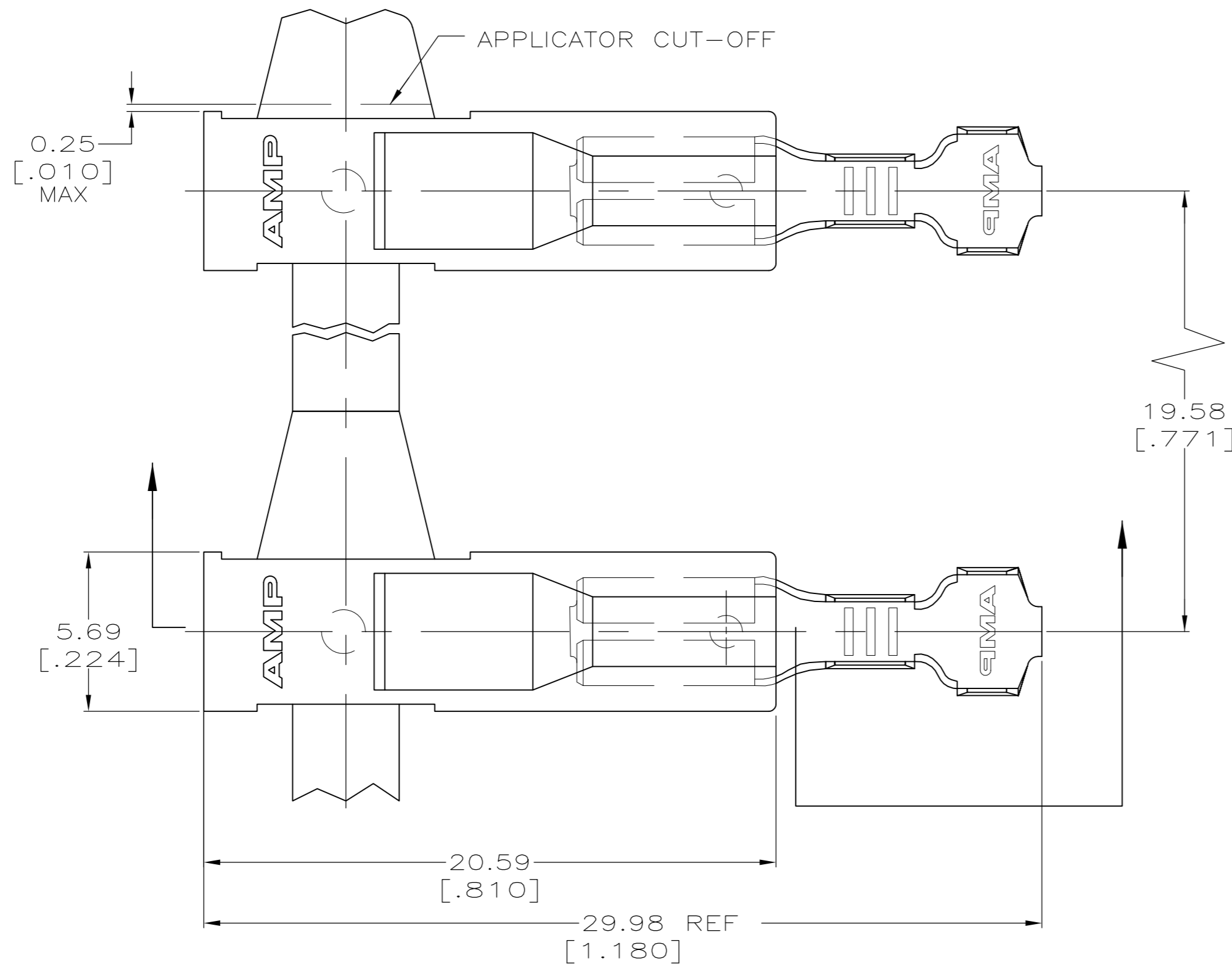
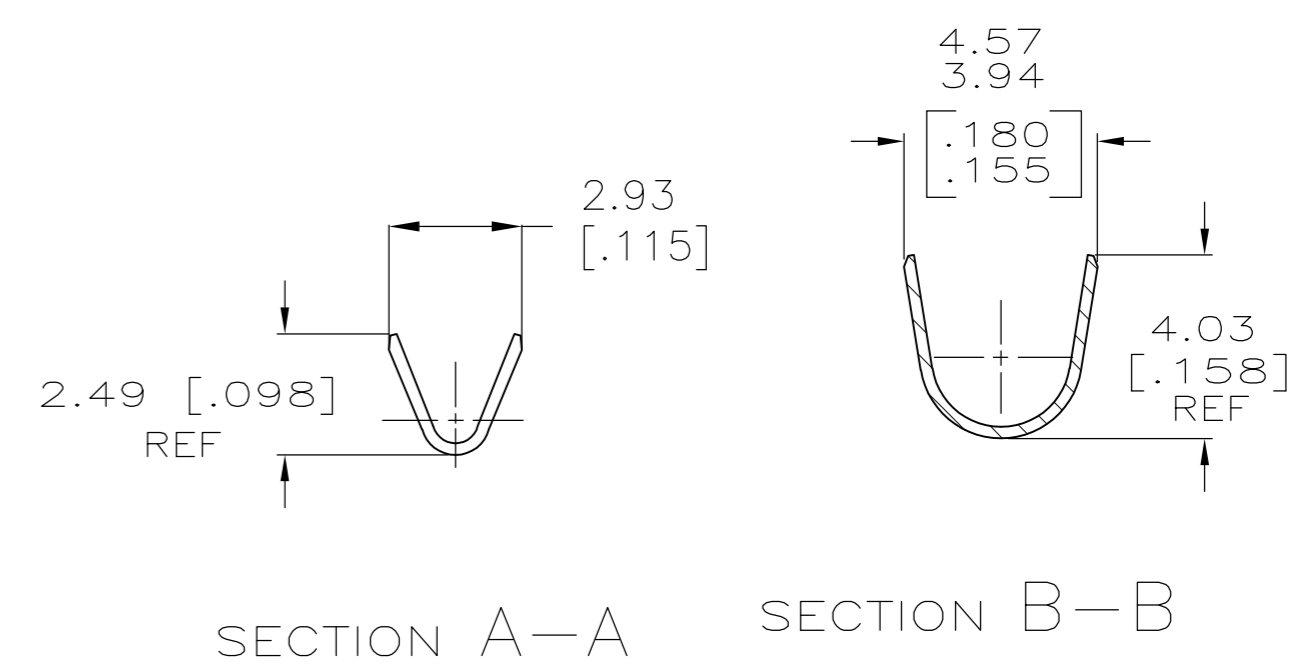
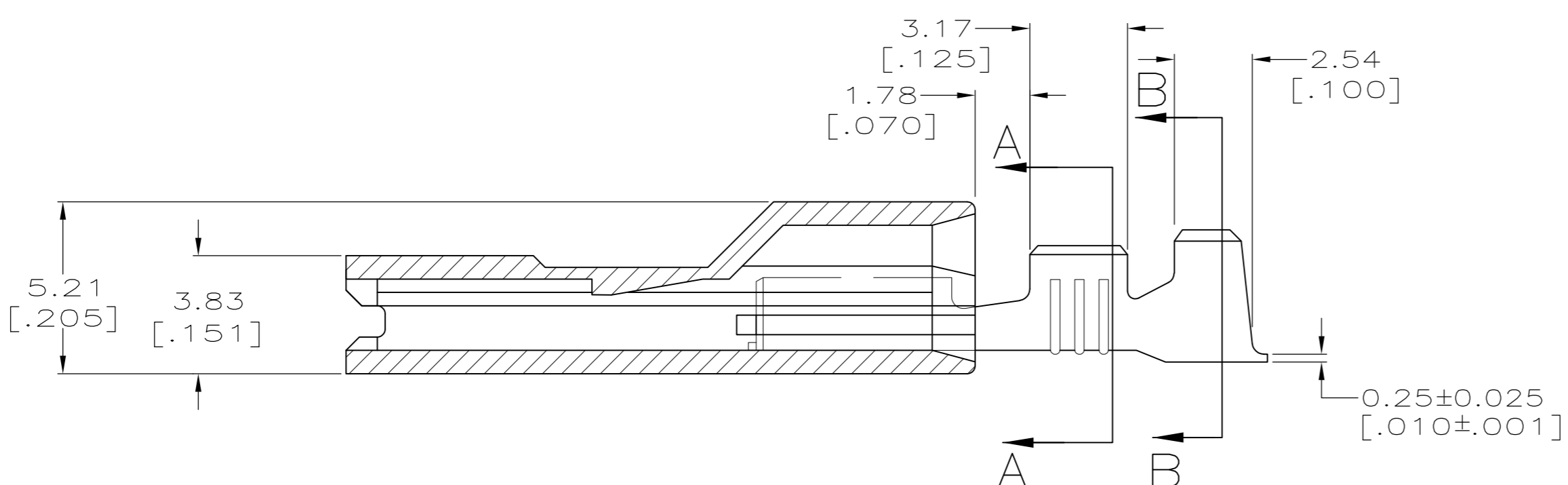


THIS DRAWING IS UNPUBLISHED. RELEASED FOR PUBLICATION
 © COPYRIGHT - By - ALL RIGHTS RESERVED.

LOC	DIST	REVISIONS			
P	LTR	DESCRIPTION	DATE	DWN	APVD
AF	50	G	REVISED PER ECR-12-013219	08JAN13	KH KR



- 1 MATING TAB THK IS 0.81±0.025[.032±.001]
- 2 WIRE SIZE IS [#22-#18] AWG.
- 3 INSULATION RANGE IS 2.03-3.05[.080-.120] DIA.
- △ PREPRODUCTION - FASR REQ



0.002032 [.000080] MIN TIN		521436-2	
-		△ 521436-1	
TERMINAL FINISH		PART NO.	
DWN JR RUTH 22OCT01		STE TE Connectivity	
CHK J HUMMEL 22OCT01			
APVD J HUMMEL 22OCT01		NAME	
PRODUCT SPEC 108-1285		ASSEMBLY, RECEPTACLE, ULTRA-POD, 2.79 [.110] SERIES	
APPLICATION SPEC 114-2124		SIZE A2	CAGE CODE 00779
MATERIAL TERMINAL - BRASS HSG - 6/6 NYLON, V2		DRAWING NO. C=521436	RESTRICTED TO -
FINISH TERMINAL - SEE TABLE HOUSING - NATURAL		SCALE 6:1	SHEET 1 of 1
CUSTOMER DRAWING		REV G	

THIS DRAWING IS A CONTROLLED DOCUMENT.	
DIMENSIONS: mm [INCHES]	TOLERANCES UNLESS OTHERWISE SPECIFIED:
	0 PLC ± -
	1 PLC ± -
	2 PLC ± 0.25 [.010]
	3 PLC ± -
	4 PLC ± -
	ANGLES ± -