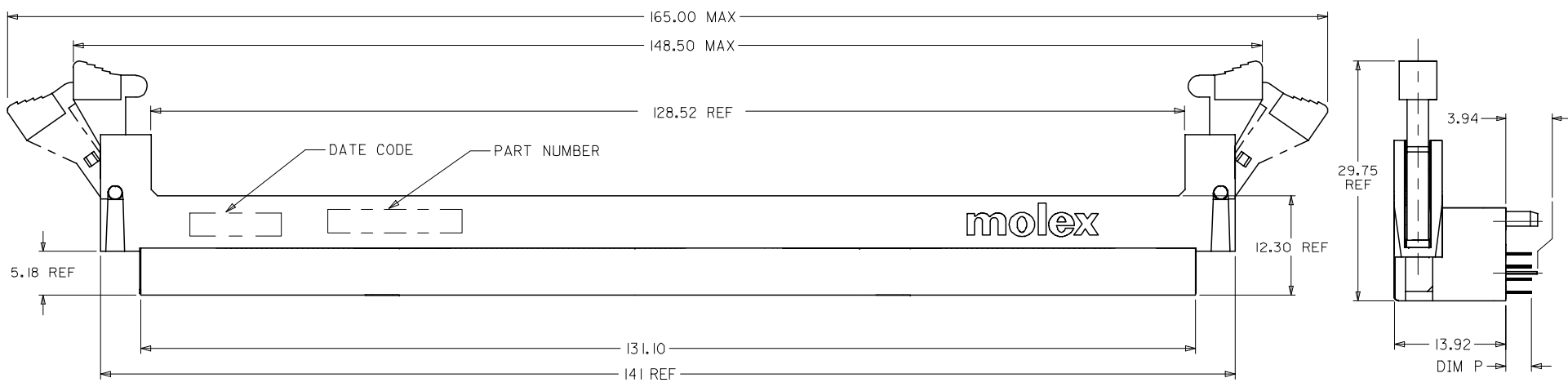
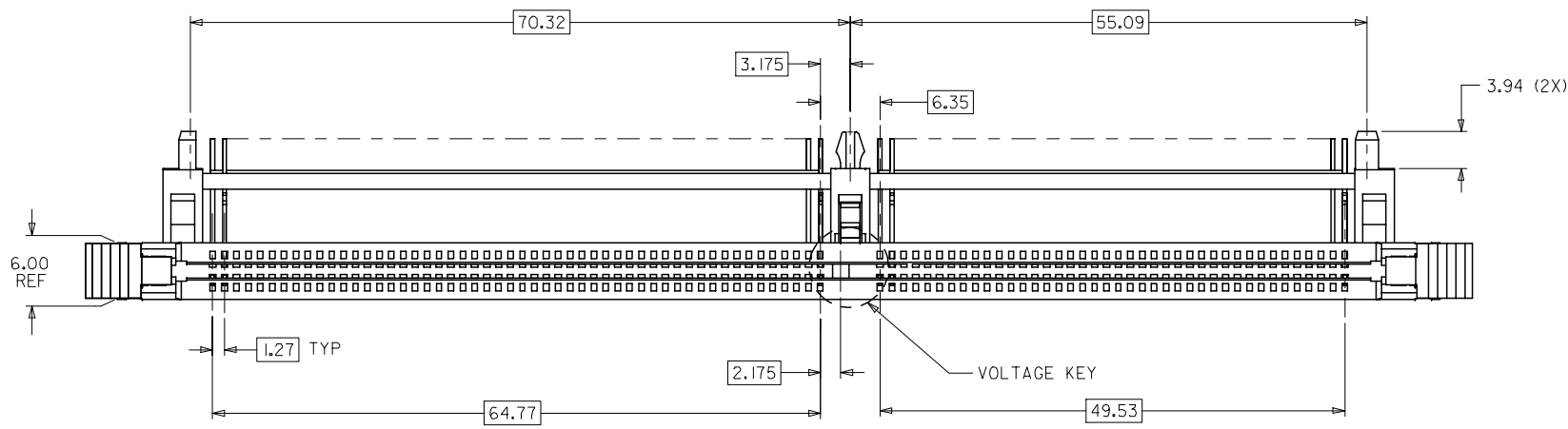


10 9 8 7 6 5 4 3 2 1

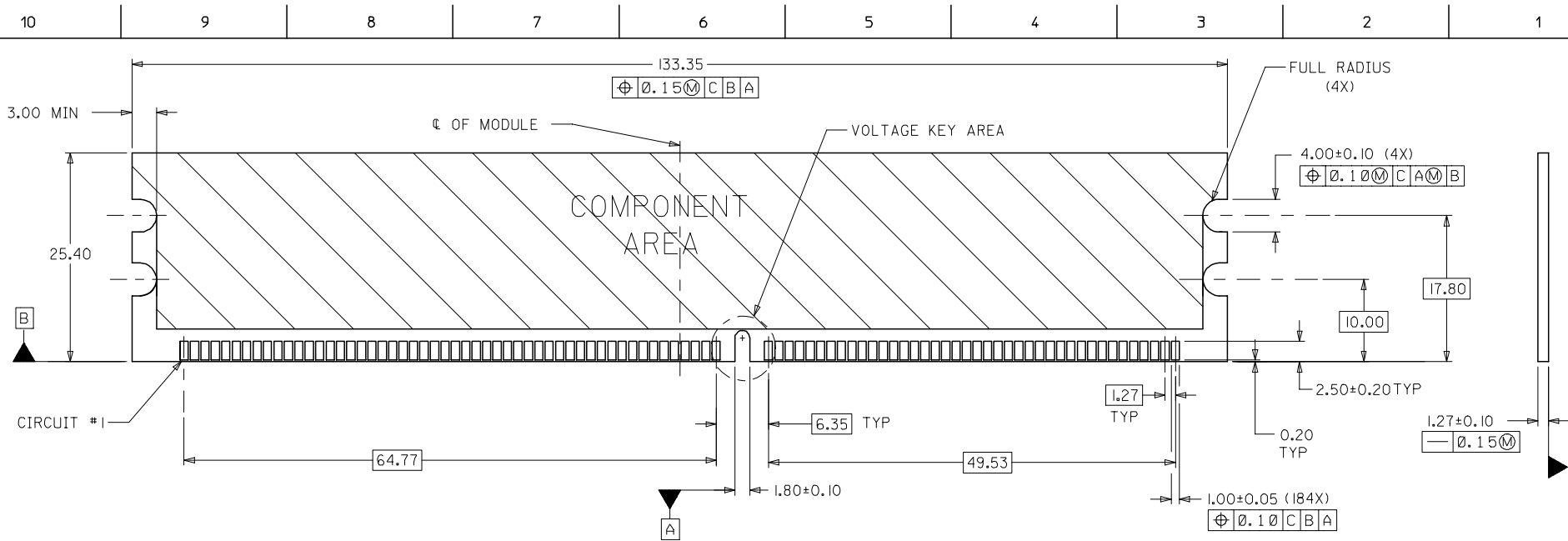


- NOTES:
- MATERIALS: HOUSING, BASEPLATE AND LATCH - HIGH TEMPERATURE THERMOPLASTIC, UL 94-V0 TERMINAL AND FORKLOCK - COPPER ALLOY
 - FINISHES: CONTACT AREA: 0.38um/15u" MIN. GOLD
SOLDER TAIL: 2.54um/100u" MIN. TIN/LEAD OR TIN
UNDERPLATE: 1.27um/50u" MIN. NICKEL

- PRODUCT SPECIFICATIONS: PS-87609-002 FOR PERFORMANCE SPECIFICATIONS.
- DATE CODE SHALL BE MARKED LEGIBLY AS SHOWN: XX XX YEAR WEEK
- PART NUMBER SHALL BE MARKED LEGIBLY AS SHOWN: 87655-OXXX REFER TO TABLE

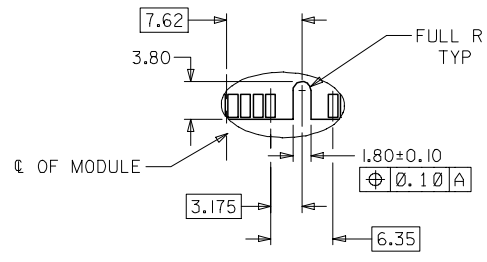
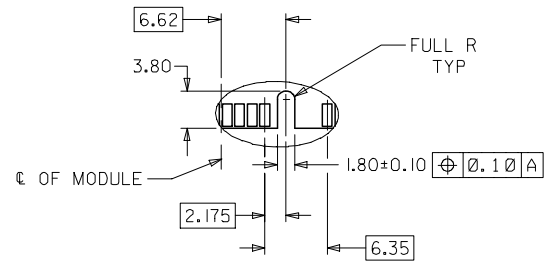
ADD ASSY P/N FOR LF EC NO: S2004-0521 DRAWN:MLONG 2004/09/08 CHKD:ATSEE 2004/09/08 APPR:SKTOH 2004/09/09	QUALITY SYMBOLS ▽=0 ▽=0	GENERAL TOLERANCES (UNLESS SPECIFIED)		DIMENSION STYLE MM ONLY	SCALE NTS	DESIGN UNITS METRIC	THIRD ANGLE PROJECTION			
		4 PLACES ± --- ± ---	3 PLACES ± --- ± ---	2 PLACES ± 0.25 ± ---	1 PLACE ± --- ± ---	DRAWN BY MLONG	DATE 2000/12/21	SALES DRAWING DDR DIMM, 1.27MM PITCH 184 CKTS, R/A		
		ANGULAR ± 5 °				CHECKED BY SQUEK	DATE 2000/12/29			
		DRAFT WHERE APPLICABLE MUST REMAIN WITHIN DIMENSIONS				APPROVED BY SKTOH	DATE 2000/12/29	molex MOLEX INCORPORATED		SHEET NO. 1 OF 3
REV	DESCRIPTION	SEE TABLE		MATERIAL NO.	DOCUMENT NO. SD-87655-001					

9 8 7 6 5 4 3 2 1



RECOMMENDED MODULE LAYOUT
 (PER JEDEC STANDARD MO-206, 184 CKT.)
 UNLESS OTHERWISE SPECIFIED, GENERAL TOLERANCE FOR MODULE = ±0.13

VOLTAGE KEY AREA OPTIONS



OFFSET LEFT KEY
 (2.5 VOLTS)

CENTERED KEY
 (1.8 VOLTS)

ADD ASSY P/N FOR LF EC NO: S2004-0521 DRAWN:MLONG 2004/09/08 CHKD:ATSEE 2004/09/08 APPR:SKTOH 2004/09/09	QUALITY SYMBOLS ▽=0 ▽=0	GENERAL TOLERANCES (UNLESS SPECIFIED)		DIMENSION STYLE MM ONLY	SCALE NTS	DESIGN UNITS METRIC	THIRD ANGLE PROJECTION	
		4 PLACES ± --- ± ---	3 PLACES ± --- ± ---	DRAWN BY MLONG	DATE 2000/12/21	TITLE SALES DRAWING DDR DIMM, 1.27MM PITCH 184 CKTS, R/A		
		2 PLACES ± 0.25 ± ---	1 PLACE ± --- ± ---	CHECKED BY SQUEK	DATE 2000/12/29	MOLEX INCORPORATED		
		ANGULAR ± 5 °		APPROVED BY SKTOH	DATE 2000/12/29	DOCUMENT NO. SD-87655-001	SHEET NO. 3 OF 3	
DRAFT WHERE APPLICABLE MUST REMAIN WITHIN DIMENSIONS		SEE TABLE		THIS DRAWING CONTAINS INFORMATION THAT IS PROPRIETARY TO MOLEX INCORPORATED AND SHOULD NOT BE USED WITHOUT WRITTEN PERMISSION				