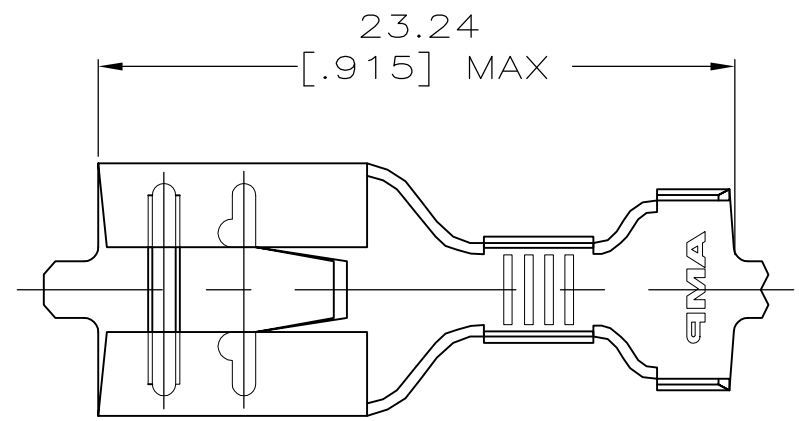
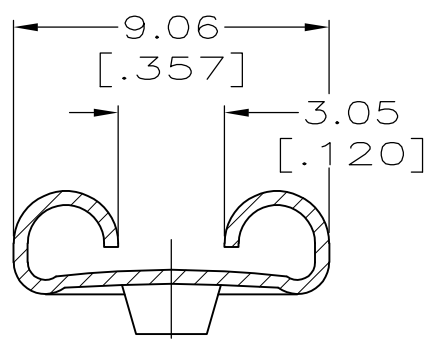


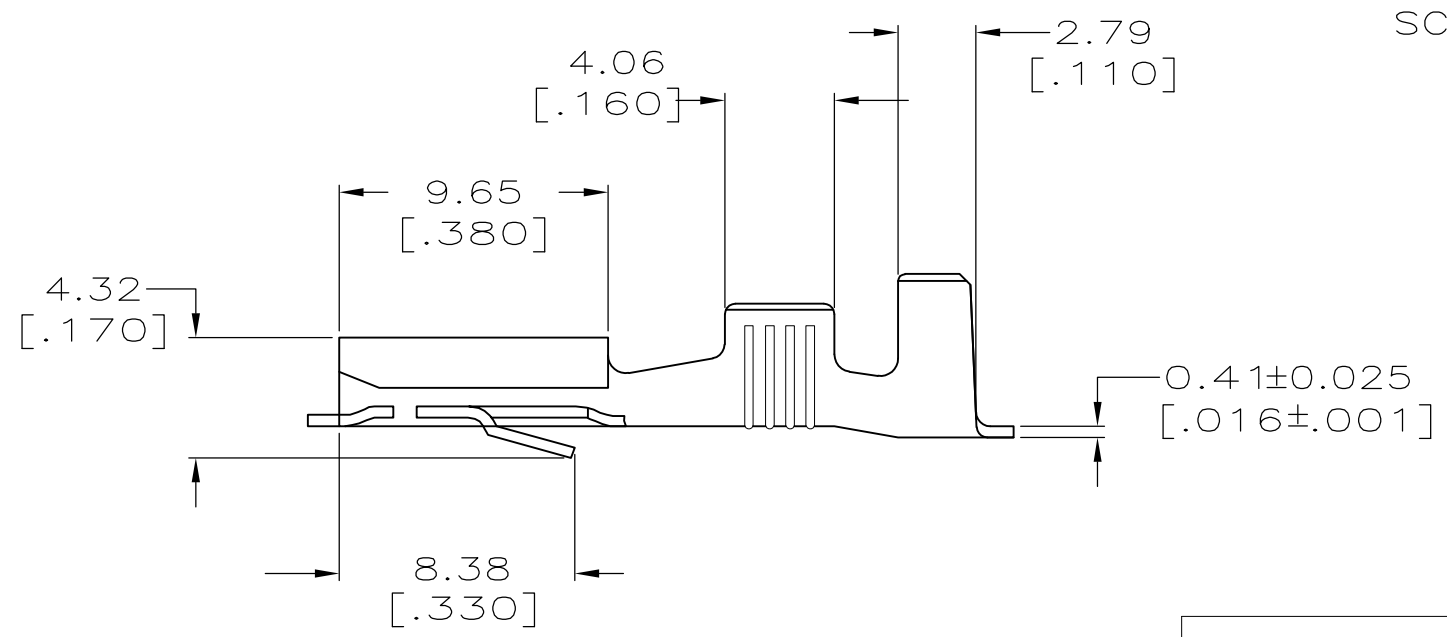
LOC		DIST		REVISIONS					
AF		50		P	LTR	DESCRIPTION	DATE	DWN	APVD
					B	REVISED PER ECR-11-018063	26DEC11	KH	PD



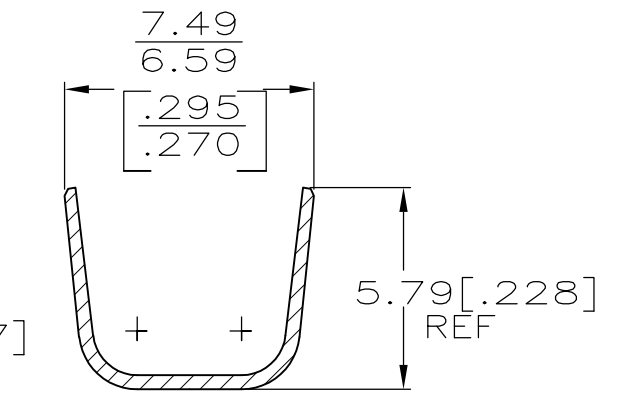
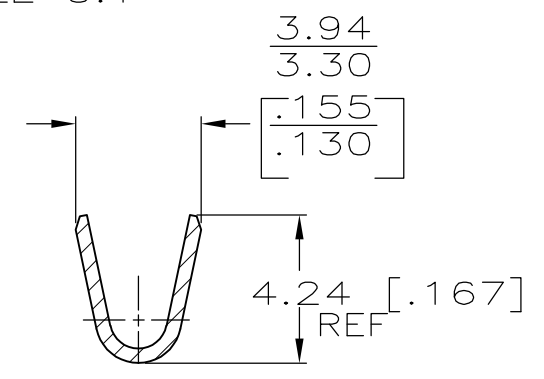
1 CONTINUOUS STRIP ON REELS.



SECTION A-A
SCALE 5:1



SECTION B-B
SCALE 5:1



SECTION C-C
SCALE 5:1

4.06 MAX OR (2) 3.30 DIA [.160 MAX OR (2).130 MAX]	[#16-#12] AWG	0.81 [.032]	63813-1
INSUL RANGE	WIRE SIZE	MATING TAB THK ±0.025 [.001]	PART NO

THIS DRAWING IS A CONTROLLED DOCUMENT.		DWN JR RUTH 10/17/94	TE Connectivity RECEPTACLE, FASTIN-FASTON, 7.92 [.312] SERIES		
DIMENSIONS: mm [INCHES]		CHK MS FEHER 10/17/94			
		APVD J GILLESPIE 10/17/94			
TOLERANCES UNLESS OTHERWISE SPECIFIED:		PRODUCT SPEC	NAME		
0 PLC ± - 1 PLC ± - 2 PLC ± 0.38 [.015] 3 PLC ± - 4 PLC ± - ANGLES ± -		APPLICATION SPEC	SIZE		
MATERIAL 4M BRASS	FINISH TIN	WEIGHT -	CAGE CODE A300779	DRAWING NO C-63813	RESTRICTED TO -
CUSTOMER DRAWING			SCALE 4:1	SHEET 1 of 1	REV B