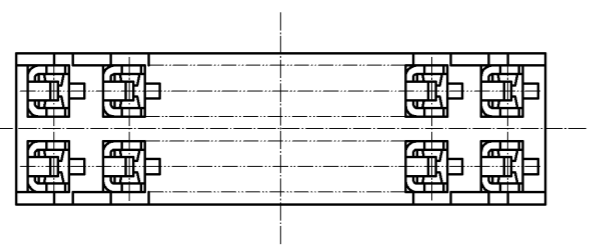
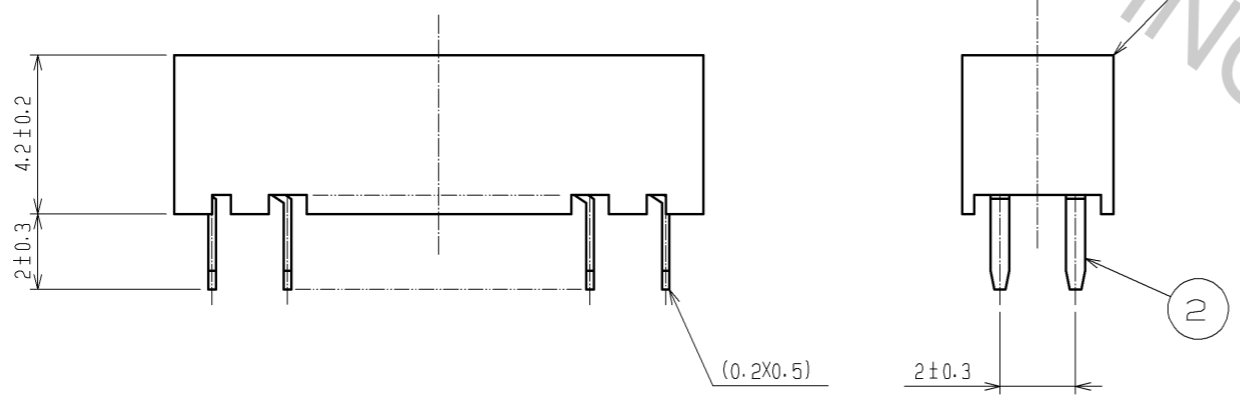
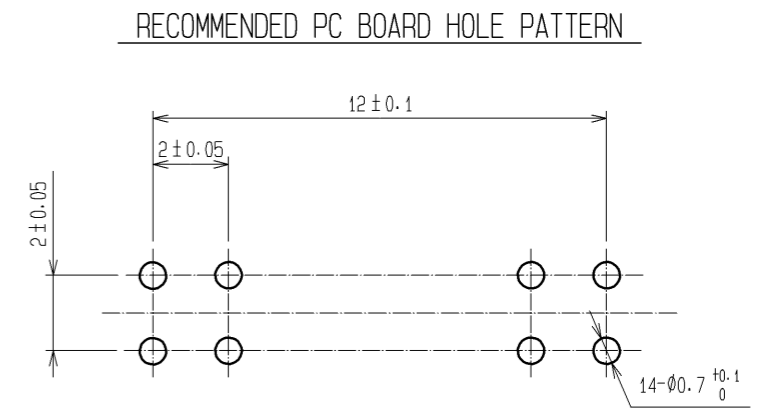
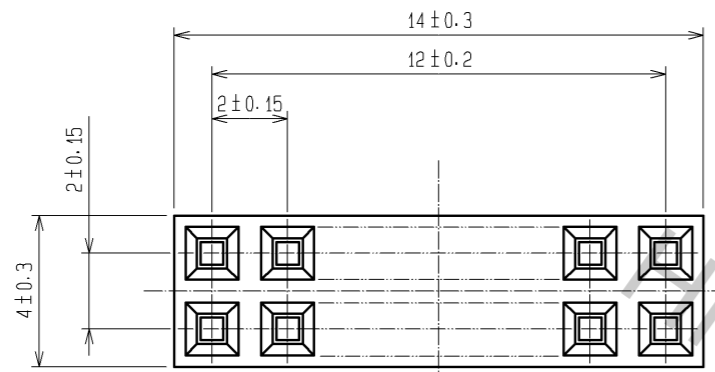


Apr.1.2017 Copyright 2017 HIROSE ELECTRIC CO., LTD. All Rights Reserved.



NOTE 1. THE CONTACT CUT SECTION IS UNPLATED.  
 2. THE DIMENSIONS IN PARENTHESES ARE FOR REFERENCE.

1	PBT	BLACK UL94V-0	2	PHOSPHOR BRONZE	CONTACT AREA:GOLD 0.2μm min. DIP AREA:TIN-PLATING 1μm min. UNDER PLATING:NICKEL 1μm min.		
NO.	MATERIAL	FINISH, REMARKS	NO.	MATERIAL	FINISH, REMARKS		
UNITS mm		SCALE 5 : 1	COUNT 	DESCRIPTION OF REVISIONS	DESIGNED	CHECKED	DATE
<b>HRS</b> HIROSE ELECTRIC CO., LTD.		APPROVED : HS. OKAWA	10.08.06	DRAWING NO.	EDC3-081244-21		
		CHECKED : HT. YAMAGUCHI	10.08.06	PART NO.	A3C-14DA-2DSC(71)		
		DESIGNED : SY. KAMIGA	10.08.05	CODE NO.	CL621-0536-0-71		
		DRAWN : HK. SUNADORI	10.08.05		1/1		