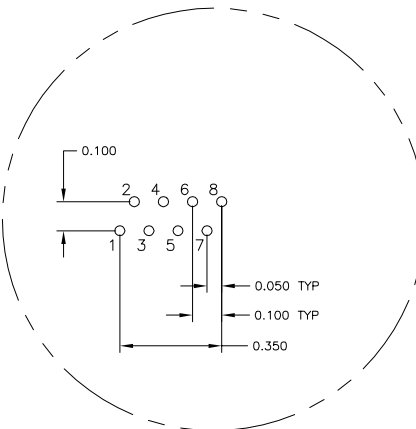
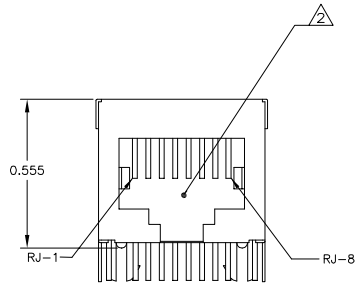
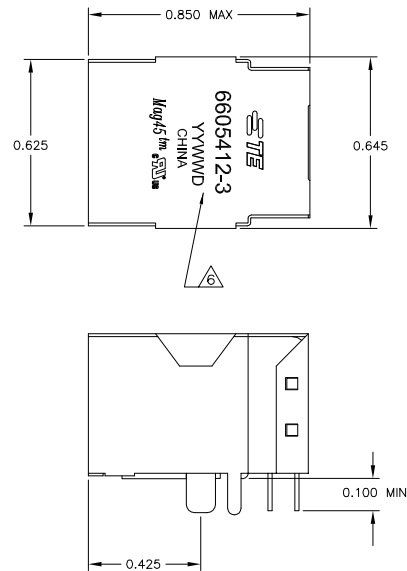


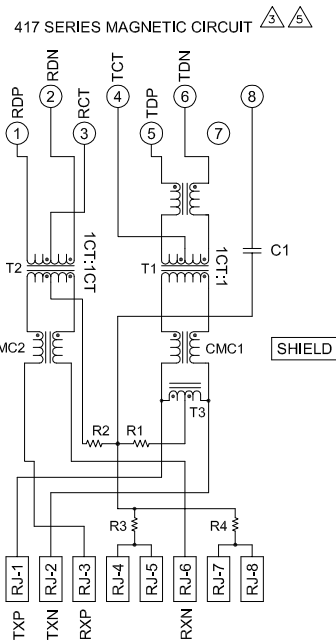
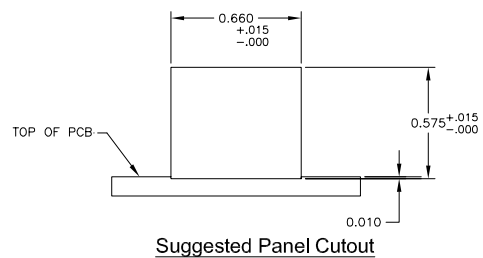
LOC	QTY	REV	DESCRIPTION	DATE	BY	APP
AA	22	C	PER ECO-08-030702	21NOV2008	VL	TX
		D	ECO-11-015766	30MAY2011	EL	LR

**MECHANICAL:**

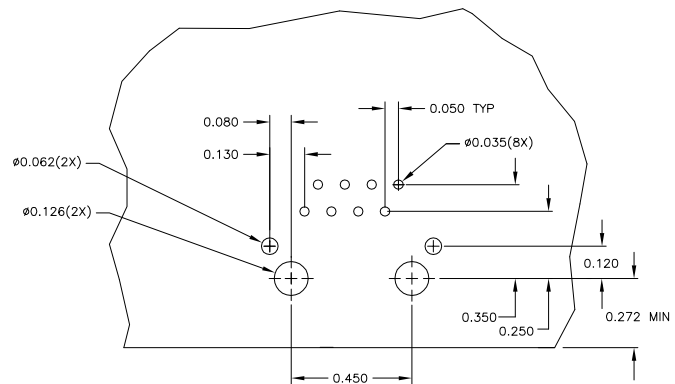


**Pin Designations**

- △ MATERIALS:
  - HOUSING - THERMOPLASTIC PET POLYESTER FLAMMABILITY RATING UL 94V-0.
  - SHIELD - .010" THICK, C26800 BRASS PREPLATED WITH 30µINCH SEMI-BRIGHT NICKEL. SOLDER TABS POST DIPPED WITH 100µINCH MIN SAC SOLDER.
  - MOD JACK CONTACTS - 0.0157 X 0.018" PHOSPHOR BRONZE, 50µINCH MIN OVERALL NICKEL UNDERPLATE, WITH SELECT 50µINCH MIN HARD GOLD FINISH PLATE SOLDER TAILS WITH 100µINCH MIN MATTE TIN AND/OR SAC SOLDER DIP.
- △ RJ45 JACK CAVITY CONFORMS TO FCC RULES AND REGULATIONS PART 68, SUB PART F.
- △ MAGNETICS
  - IMPEDANCE: 100 OHMS
  - TURNS RATIO (CHIP: CABLE): TX = 1:1, RX = 1:1
  - OPEN CIRCUIT INDUCTANCE (OCL): 350µH MIN @100kHz, 0.1VRMS, 8mADC BIAS FROM 0°C TO 70°C, TX AND RX
  - PERFORMANCE @ 25°C:
    - INSERTION LOSS (IL): 1.1dB MAX FROM 0.5MHz TO 100MHz
    - RETURN LOSS (RL): 18dB MIN FROM 0.5MHz TO 30MHz
    - 18-20LOG(f/30)dB MIN FROM 30.1MHz TO 60MHz
    - 12dB MIN FROM 60.1MHz TO 80MHz
    - CROSSTALK ATTENUATION: 35dB MIN FROM 0.5MHz TO 40MHz
    - 33-20LOG(f/50)dB MIN FROM 40.1MHz TO 100MHz
    - COMMON MODE REJECTION RATIO (CMRR): 30dB MIN FROM 0.5MHz TO 100MHz
    - ISOLATION VOLTAGE: 2250VDC (MAX) FOR 60 SECONDS WITH A RISE TIME OF 50V/SEC.
- 4. OPERATING TEMPERATURE: FROM 0°C TO +70°C.
- △ INDICATED CONNECTIONS ARE FOR NIC CONFIGURATION. THE MAGNETICS ARE ASYMMETRICAL, AND THEREFORE DO NOT SUPPORT AUTO-MDI/MDIX.
- △ TE CONNECTIVITY LOGO, PART NUMBER, DATE CODE, COUNTRY OF ORIGIN AND AGENCY APPROVAL MARKING IN APPROXIMATE LOCATION SHOWN.
- 7. THE PART IS RECOMMENDED FOR WAVE SOLDERING PROCESS, PREHEAT TEMPERATURE IS 120°C TO 160°C, 120 SECONDS TO 180 SECONDS, PEAK WAVE SOLDERING TEMPERATURE IS 260°C MAX, 10 SECONDS MAX.



C1 = 1000 pF, 2kV CAPACITOR  
R1-R4 = 75 OHMS, 1/16 W RESISTORS



**Suggested PCB Layout  
(Component Side)**

6605412-3  
PART NUMBER

DIMENSIONS:		REV		DATE	
INCHES:	0.001	1	ATTADIA	08/2008	
MILLIMETERS:	0.025	2	FAROLE	08/2008	
		3	FAROLE	08/2008	
		4	FAROLE	08/2008	
		5	FAROLE	08/2008	
		6	FAROLE	08/2008	
		7	FAROLE	08/2008	
		8	FAROLE	08/2008	
		9	FAROLE	08/2008	
		10	FAROLE	08/2008	
		11	FAROLE	08/2008	
		12	FAROLE	08/2008	
		13	FAROLE	08/2008	
		14	FAROLE	08/2008	
		15	FAROLE	08/2008	
		16	FAROLE	08/2008	
		17	FAROLE	08/2008	
		18	FAROLE	08/2008	
		19	FAROLE	08/2008	
		20	FAROLE	08/2008	
		21	FAROLE	08/2008	
		22	FAROLE	08/2008	
		23	FAROLE	08/2008	
		24	FAROLE	08/2008	
		25	FAROLE	08/2008	
		26	FAROLE	08/2008	
		27	FAROLE	08/2008	
		28	FAROLE	08/2008	
		29	FAROLE	08/2008	
		30	FAROLE	08/2008	
		31	FAROLE	08/2008	
		32	FAROLE	08/2008	
		33	FAROLE	08/2008	
		34	FAROLE	08/2008	
		35	FAROLE	08/2008	
		36	FAROLE	08/2008	
		37	FAROLE	08/2008	
		38	FAROLE	08/2008	
		39	FAROLE	08/2008	
		40	FAROLE	08/2008	
		41	FAROLE	08/2008	
		42	FAROLE	08/2008	
		43	FAROLE	08/2008	
		44	FAROLE	08/2008	
		45	FAROLE	08/2008	
		46	FAROLE	08/2008	
		47	FAROLE	08/2008	
		48	FAROLE	08/2008	
		49	FAROLE	08/2008	
		50	FAROLE	08/2008	
		51	FAROLE	08/2008	
		52	FAROLE	08/2008	
		53	FAROLE	08/2008	
		54	FAROLE	08/2008	
		55	FAROLE	08/2008	
		56	FAROLE	08/2008	
		57	FAROLE	08/2008	
		58	FAROLE	08/2008	
		59	FAROLE	08/2008	
		60	FAROLE	08/2008	
		61	FAROLE	08/2008	
		62	FAROLE	08/2008	
		63	FAROLE	08/2008	
		64	FAROLE	08/2008	
		65	FAROLE	08/2008	
		66	FAROLE	08/2008	
		67	FAROLE	08/2008	
		68	FAROLE	08/2008	
		69	FAROLE	08/2008	
		70	FAROLE	08/2008	
		71	FAROLE	08/2008	
		72	FAROLE	08/2008	
		73	FAROLE	08/2008	
		74	FAROLE	08/2008	
		75	FAROLE	08/2008	
		76	FAROLE	08/2008	
		77	FAROLE	08/2008	
		78	FAROLE	08/2008	
		79	FAROLE	08/2008	
		80	FAROLE	08/2008	
		81	FAROLE	08/2008	
		82	FAROLE	08/2008	
		83	FAROLE	08/2008	
		84	FAROLE	08/2008	
		85	FAROLE	08/2008	
		86	FAROLE	08/2008	
		87	FAROLE	08/2008	
		88	FAROLE	08/2008	
		89	FAROLE	08/2008	
		90	FAROLE	08/2008	
		91	FAROLE	08/2008	
		92	FAROLE	08/2008	
		93	FAROLE	08/2008	
		94	FAROLE	08/2008	
		95	FAROLE	08/2008	
		96	FAROLE	08/2008	
		97	FAROLE	08/2008	
		98	FAROLE	08/2008	
		99	FAROLE	08/2008	
		100	FAROLE	08/2008	