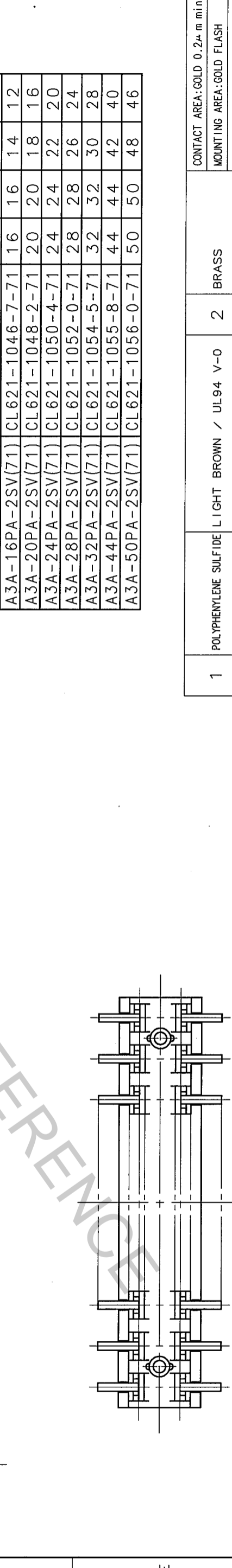
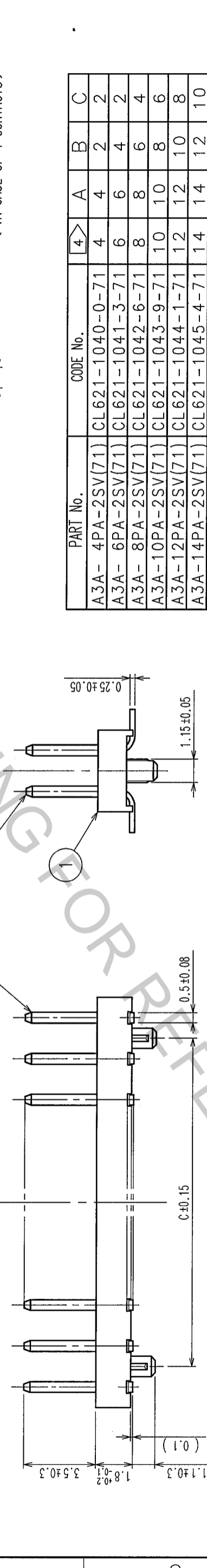
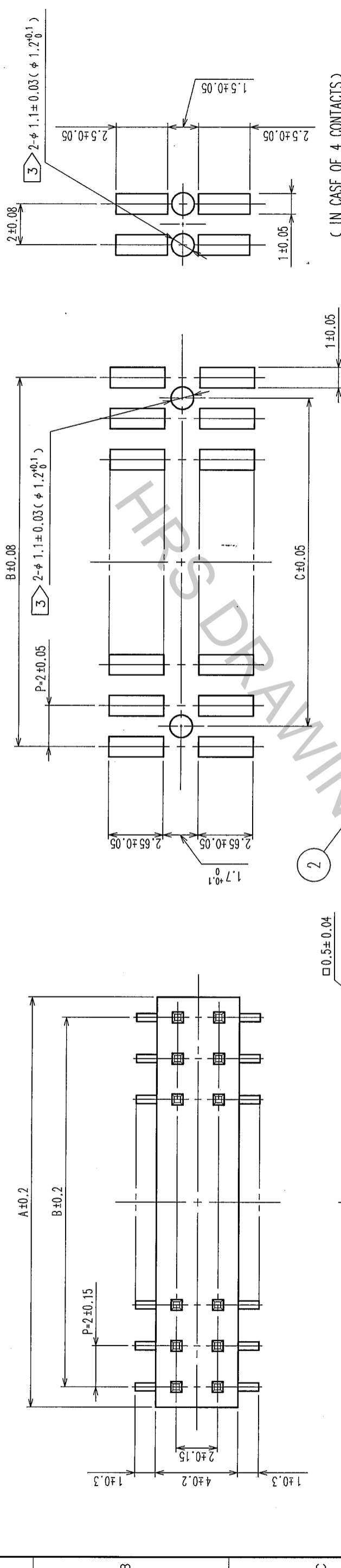


COUNT	DESCRIPTION OF REVISIONS	BY	CHKD	DATE	COUNT	DESCRIPTION OF REVISIONS	BY	CHKD	DATE

### RECOMMENDED PC BOARD LAYOUT



PART No.	CODE No.	A	B	C
A3A-4PA-2SV(71)	CL621-1040-0-71	4	2	2
A3A-6PA-2SV(71)	CL621-1041-3-71	6	4	2
A3A-8PA-2SV(71)	CL621-1042-6-71	8	6	4
A3A-10PA-2SV(71)	CL621-1043-9-71	10	8	6
A3A-12PA-2SV(71)	CL621-1044-1-71	12	10	8
A3A-14PA-2SV(71)	CL621-1045-4-71	14	12	10
A3A-16PA-2SV(71)	CL621-1046-7-71	16	14	12
A3A-20PA-2SV(71)	CL621-1048-2-71	20	18	16
A3A-24PA-2SV(71)	CL621-1050-4-71	24	22	20
A3A-28PA-2SV(71)	CL621-1052-0-71	28	26	24
A3A-32PA-2SV(71)	CL621-1054-5-71	32	30	28
A3A-44PA-2SV(71)	CL621-1055-8-71	44	44	40
A3A-50PA-2SV(71)	CL621-1056-0-71	50	50	46

1	POLYPHENYLENE SULFIDE LIGHT BROWN / UL94 V-0	2	BRASS	CONTACT AREA: GOLD 0.2μ m min. MOUNTING AREA: GOLD FLASH UNDER PLATING: NICKEL 2μ m min.	
NO.	MATERIAL	FINISH, REMARKS	NO.	MATERIAL	FINISH, REMARKS
CODE NO. (OLD)					
DRAWN		DESIGNED	CHECKED	APPROVED	RELEASED
T. NODA		K. Doi	K. Ogawa	H. Okawa	
'05.03.30		'05-03-30	'05-03-30	'05-03-30	'05-03-30
DRAWING NO.		PART NO.			
EDC3-082601-21		A3A-*PA-2SV(71)			
SCALE		CODE NO.			
FREE		CL621			
UNITS					
mm					

- 注 1 LEAD CO-PLANARITY SHALL BE 0.15 MAX.
- 2 THE DIMENSIONS IN PARENTHESES ARE FOR REFERENCE.
- 3 IN CASE OF THE AUTOMATED MOUNTING, RECOMMENDED HOLE DIAMETER OF BOSS SHALL BE 1.2+0.1.
- 4 NUMBER OF CONTACT.

TO	
PCK	