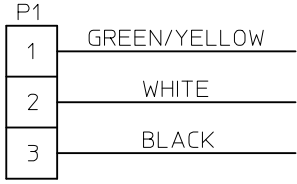
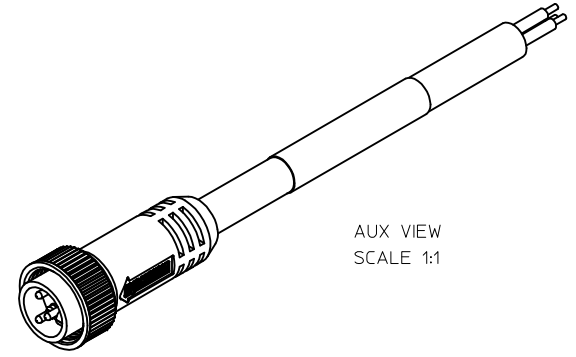
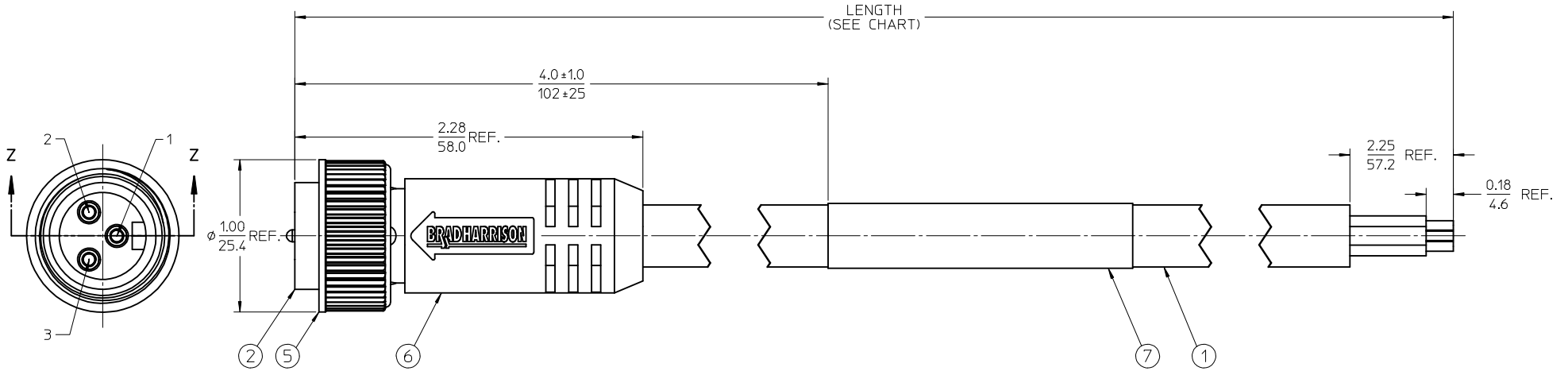
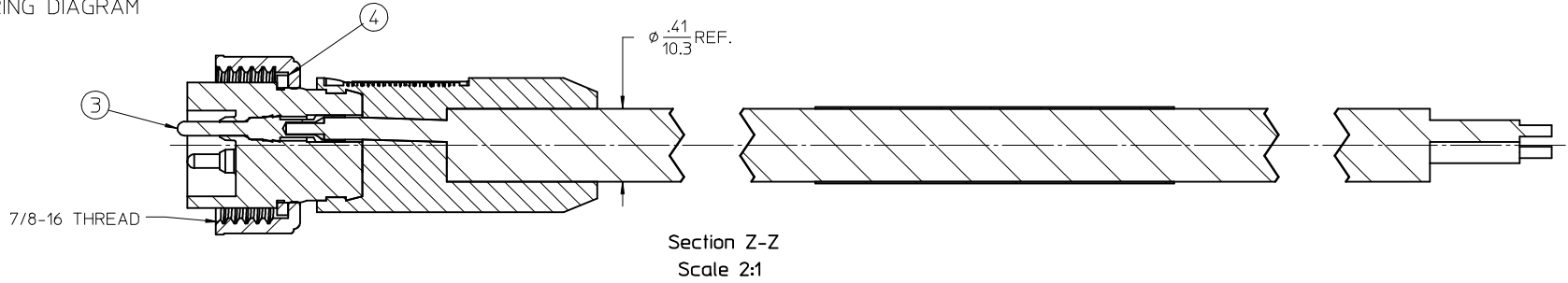


PART NUMBER	ENGINEERING NO.	LENGTH
1300060529	103002A01F030	3' +1.75 - 0 [0.9M +44.5 - 0]
1300060534	103002A01F060	6' +2.19 - 0 [1.8M +55.6 - 0]
1300060542	103002A01F120	12' +3.50 - 0 [3.7M +88.9 - 0]
1300060549	103002A01F200	20' +6.50 - 0 [6.1M +165.1 - 0]

- NOTES:
1. MATERIAL: SEE TABLE
 2. FINISHES: SEE TABLE
 3. CABLE ASSEMBLIES ARE BAGGED SEPERATELY IN POLY BAGS WITH BARCODE LABEL ATTACHED TO OUTSIDE OF BAG
 4. WRAP LABEL IS MARKED WITH P/N, DATE CODE VOLTAGE & AMPERAGE
 5. MATES WITH: MINI CHANGE, A-SIZE 3 POLE RECEPTACLE
 6. ELECTRICAL SPECIFICATIONS:
VOLTAGE RATING: 600V
CURRENT RATING: 13 AMPS
 7. ASSEMBLY IS RoHS COMPLIANT



WIRING DIAGRAM



ITEM	QTY.	DESCRIPTION	MATERIAL	FINISH
7	1	LABEL	PLASTIC FILM	BLACK/YELLOW
6	1	OVERMOLD, STRAIGHT	PVC	YELLOW
5	1	COUPLING NUT, FEMALE	ZINC DIE CAST	BLACK
4	1	FRICION RING	NYLON	WHITE
3	3	CONTACT PIN, 16 AWG	BRASS	GOLD PLATED
2	1	INSERT, MALE, 3 POLE	PVC	YELLOW
1	1	CABLE, ST00W/ST #16/3	PVC JACKET	GRAY

PURCHASING DRAWING EC NO: WNA2009-0810 DRAWN: LHARTMANN 2009/06/08 CHKD: RSTONE APPR: JFMURPHY 2009/08/17	QUALITY SYMBOLS
	▼ = 0
	▽ = 0
	REV

GENERAL TOLERANCES (UNLESS SPECIFIED)	
mm	INCH
4 PLACES ± .005	± .0005
3 PLACES ± .005	± .0005
2 PLACES ± .010	± .0010
1 PLACE ± .020	± .0020
ANGULAR ± 1/2°	
DRAFT WHERE APPLICABLE MUST REMAIN WITHIN DIMENSIONS	

DIMENSION STYLE	
IN/MM	
DRAWN BY	DATE
LHARTMANN	2009/06/05
CHECKED BY	DATE
RSTONE	2009/06/08
APPROVED BY	DATE
JFMURPHY	2009/06/08
MATERIAL NO.	
SEE CHART	

SCALE	DESIGN UNITS	THIRD ANGLE PROJECTION
1.5:1	INCH	☉
TITLE		
MINI-CHANGE PORTABLE 3 POLE MALE STRAIGHT #16/3 YELLOW ST00W/ST		
MOLEX INCORPORATED		SHEET NO.
DOCUMENT NO.		1 OF 1
THIS DRAWING CONTAINS INFORMATION THAT IS PROPRIETARY TO MOLEX INCORPORATED AND SHOULD NOT BE USED WITHOUT WRITTEN PERMISSION		