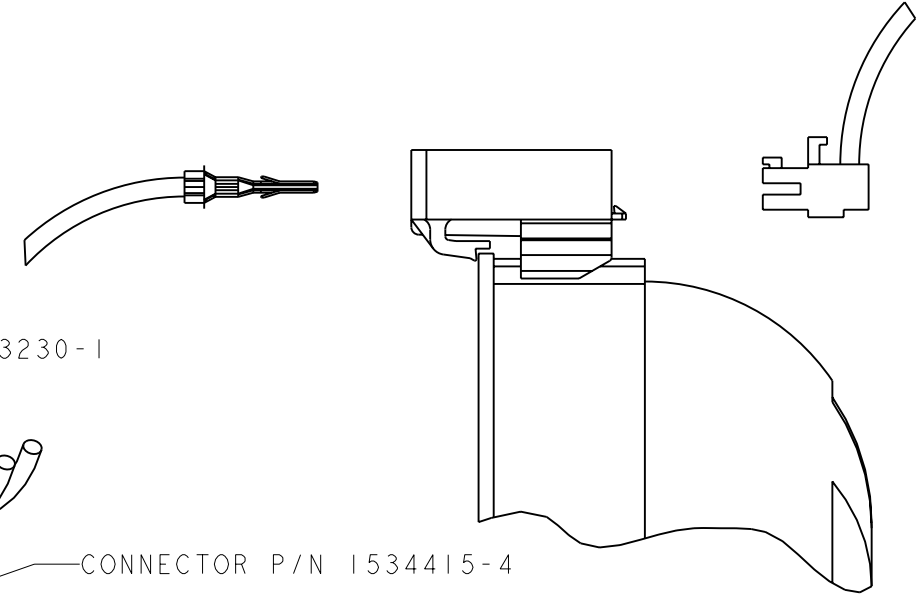
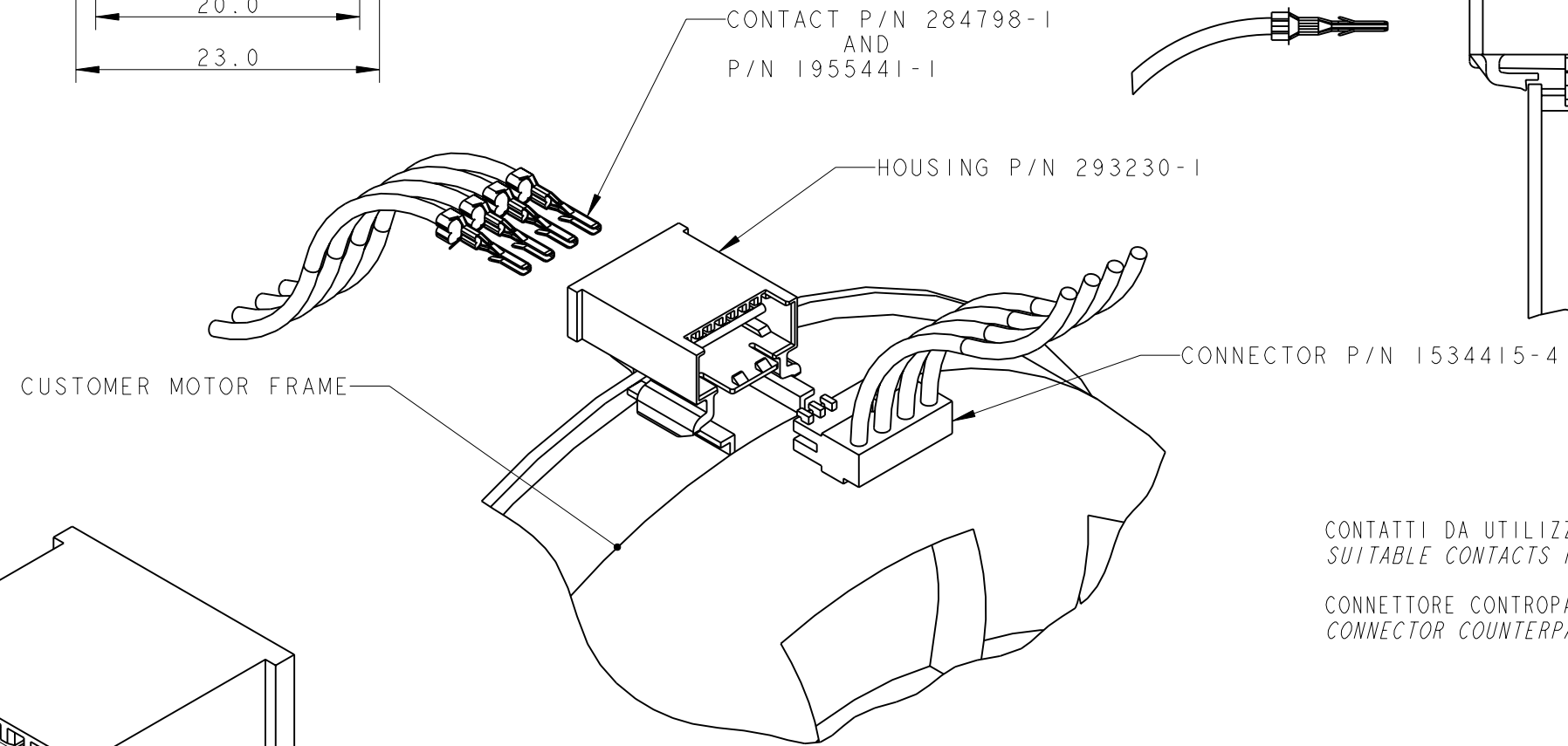
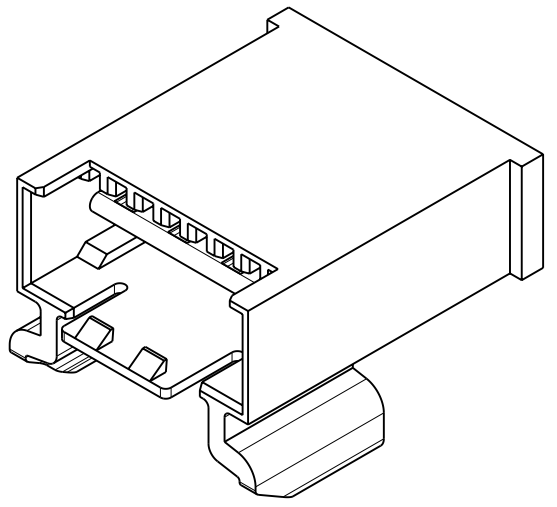
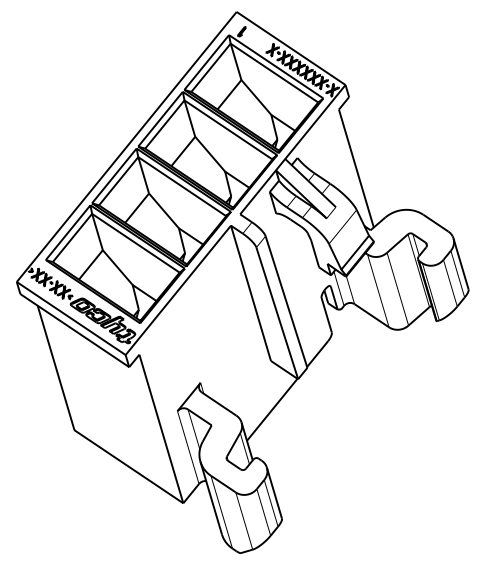
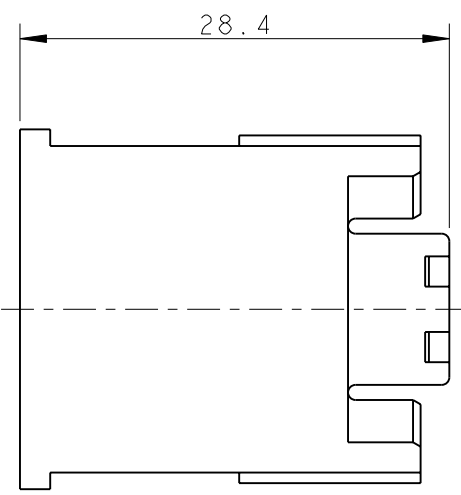
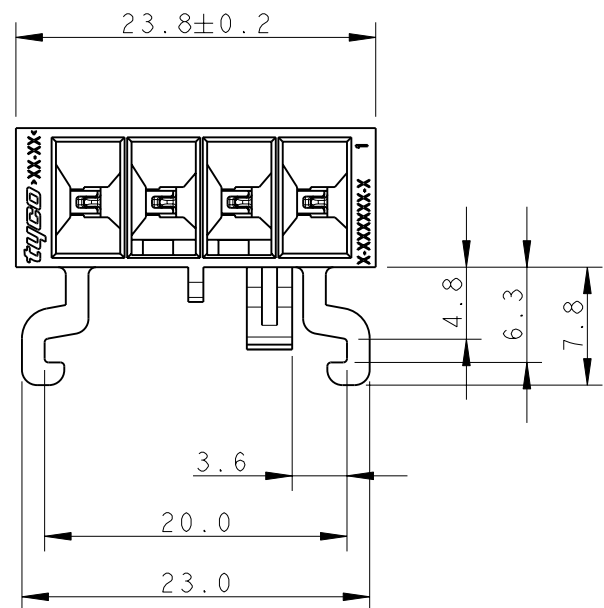
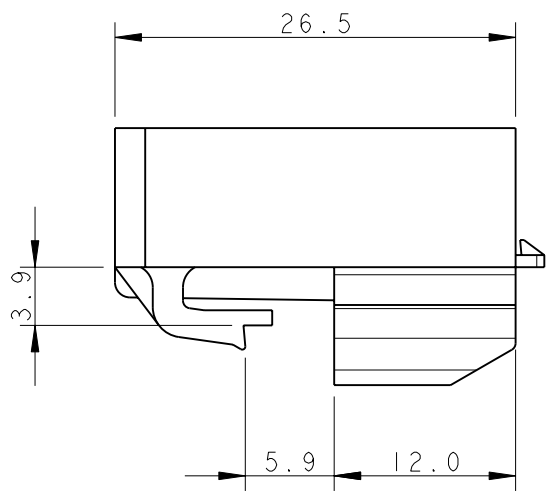


THIS DRAWING IS UNPUBLISHED. RELEASED FOR PUBLICATION 2006
 © COPYRIGHT 2006 BY TYCO ELECTRONICS CORPORATION. ALL RIGHTS RESERVED.

LOC	DIST	REVISIONS			
P	LTR	DESCRIPTION	DATE	DWN	APVD
1		Released as per ECR-10-026301	24DEC2010	C. J	RRP



CONTATTI DA UTILIZZARE P/N 284798-1 e 1955441-1
 SUITABLE CONTACTS P/N 284798-1 And 1955441-1
 CONNETTORE CONTROPARTE DI RIFERIMENTO 1534415-4
 CONNECTOR COUNTERPART 1534415-4

NYLAMID AXP 156 0014 NATURAL	293230-1
MATERIAL	P/N

THE PRESENTED PRODUCT / DESIGN WILL BE RELEASED FOR THE MANUFACTURING OF THE NECESSARY PRODUCTION TOOLS HEREBY. FURTHER CHANGES HAS TO BE PAYED BY CUSTOMER

.....
 DATE, SIGN OF THE CUSTOMER

THIS DRAWING IS A CONTROLLED DOCUMENT FOR TYCO ELECTRONICS CORPORATION IT IS SUBJECT TO CHANGE AND THE CONTROLLING ENGINEERING ORGANIZATION SHOULD BE CONTACTED FOR THE LATEST REVISION.

DIMENSIONS:	TOLERANCES UNLESS OTHERWISE SPECIFIED:
mm	0 PLC ±
	1 PLC ±0.2
	2 PLC ±
	3 PLC ±
	4 PLC ±
	ANGLES ±
MATERIAL see table	FINISH ±

DWN 14JUN2006 A. Vecchia	Tyco Electronics Amp Italia S.p.A. 10093 Collegno TO	NAME	
CHK 14JUN2006 G. Turco		DUOPLUG POWER MOTOR MOUNT 4 POS. RAST 2.5	
APVD	PRODUCT SPEC	SIZE	RESTRICTED TO
APPLICATION SPEC	WEIGHT	CAGE CODE	
CUSTOMER DRAWING	SCALE 2:1	DRAWING NO	REV
		A300779	A1