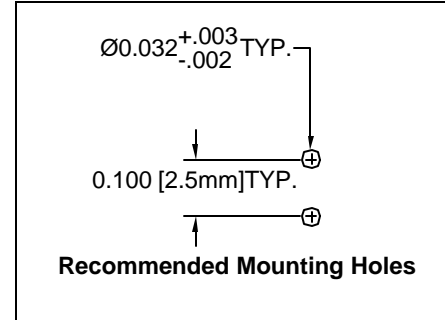
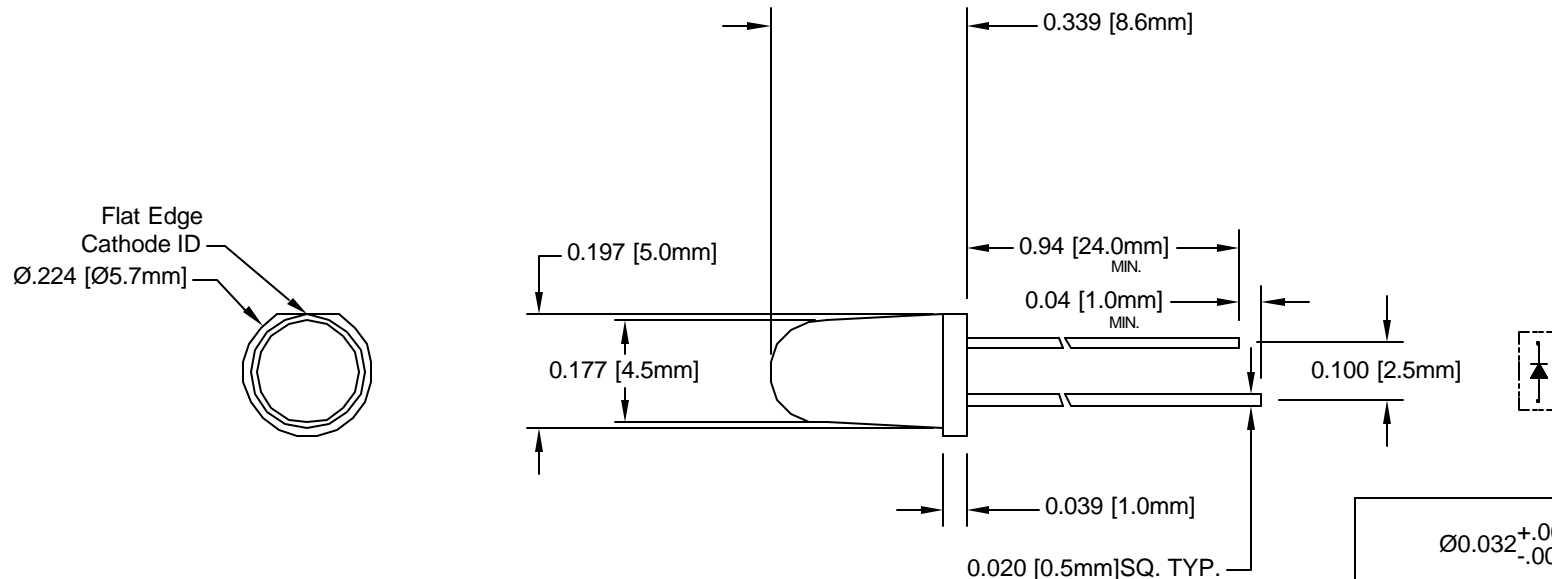


REV.	DESCRIPTION	DATE	APPROVED
A	Engineering Release.	04/05/06	M. C.



LED Part No.	Chip			Lens Appearance	Absolute Maximum Ratings				Electro-Optical Data @ 20mA			Viewing Angle (Deg)
	Material	Peak Wave Length λ_p (nm)	Emitted Color		$\Delta\lambda$ (nm)	Pd (mW)	If (mA)	Peak If (mA)	Vf (V)		Iv (mcd)	
5HC-8-F	GaAsP/GaAs	635	RED	WATER CLEAR	45	80	30	150	Typ.	Max.	Typ.	8

ABSOLUTE MAXIMUM RATINGS (Ta = 25°C)

REVERSE VOLTAGE _____ 5V
 REVERSE CURRENT (VR=5V) _____ 100µA
 OPERATING TEMPERATURE RANGE _____ -25°C ~ 85°C
 STORAGE TEMPERATURE _____ -30°C ~ 100°C
 LEAD SOLDERING TEMPERATURE (1/16" FROM BODY) _____ 260°C for 5 Seconds

STANDARD TOLERANCE (UNLESS OTHERWISE SPECIFIED)			BIVAR [®] 4 THOMAS, IRVINE, CA. 92618 TEL: (949) 951-8808 FAX: (949) 951-3974
DECIMALS	ANGULAR		
.X ±.1	X° ± 1°	TITLE: T-1 3/4 (5mm) Narrow Viewing Angle 5 Ø	
.XX ±.02			
.XXX ±.010			
DESIGNED: Sonny Dam	DATE: 04/05/06	PART NO: 5HC-8-F	REVISION: A
CHECKED: T. Yin	DATE: 04/05/06	CAGE CODE : 32559	SHEET # 1 OF 1
CAD GENERATED DOCUMENT, DO NOT MEASURE DRAWING.			