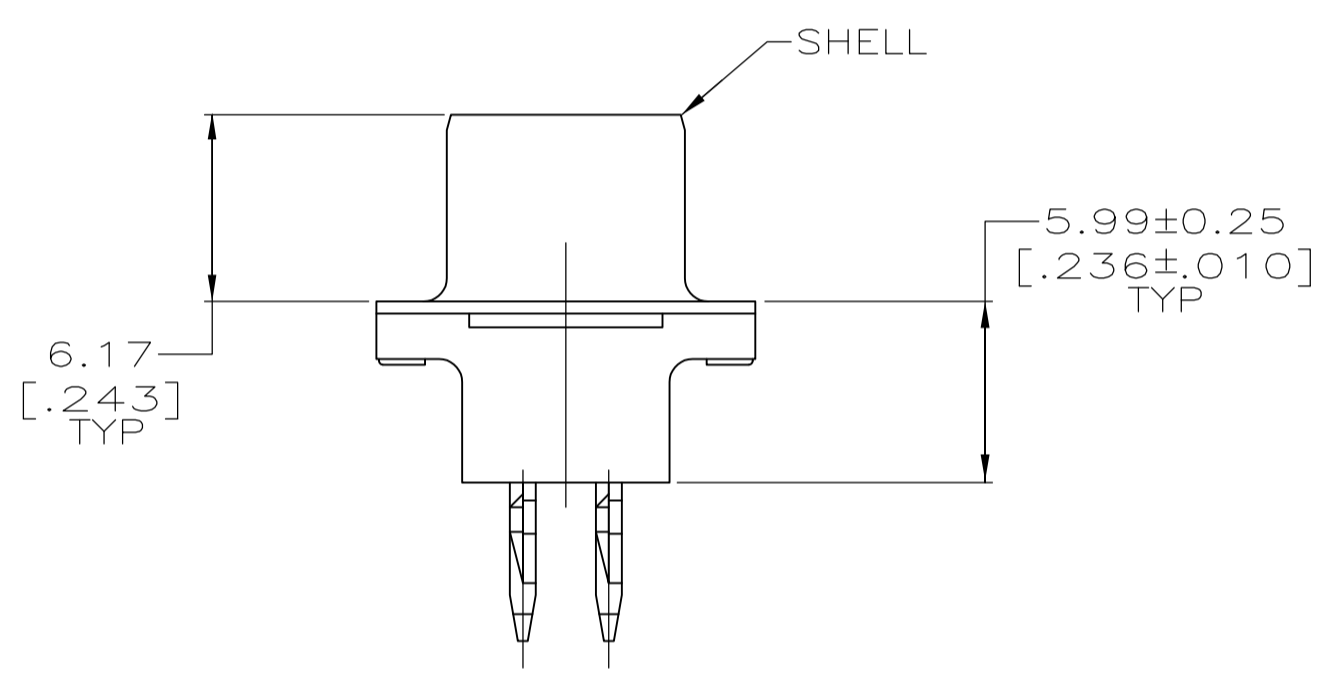
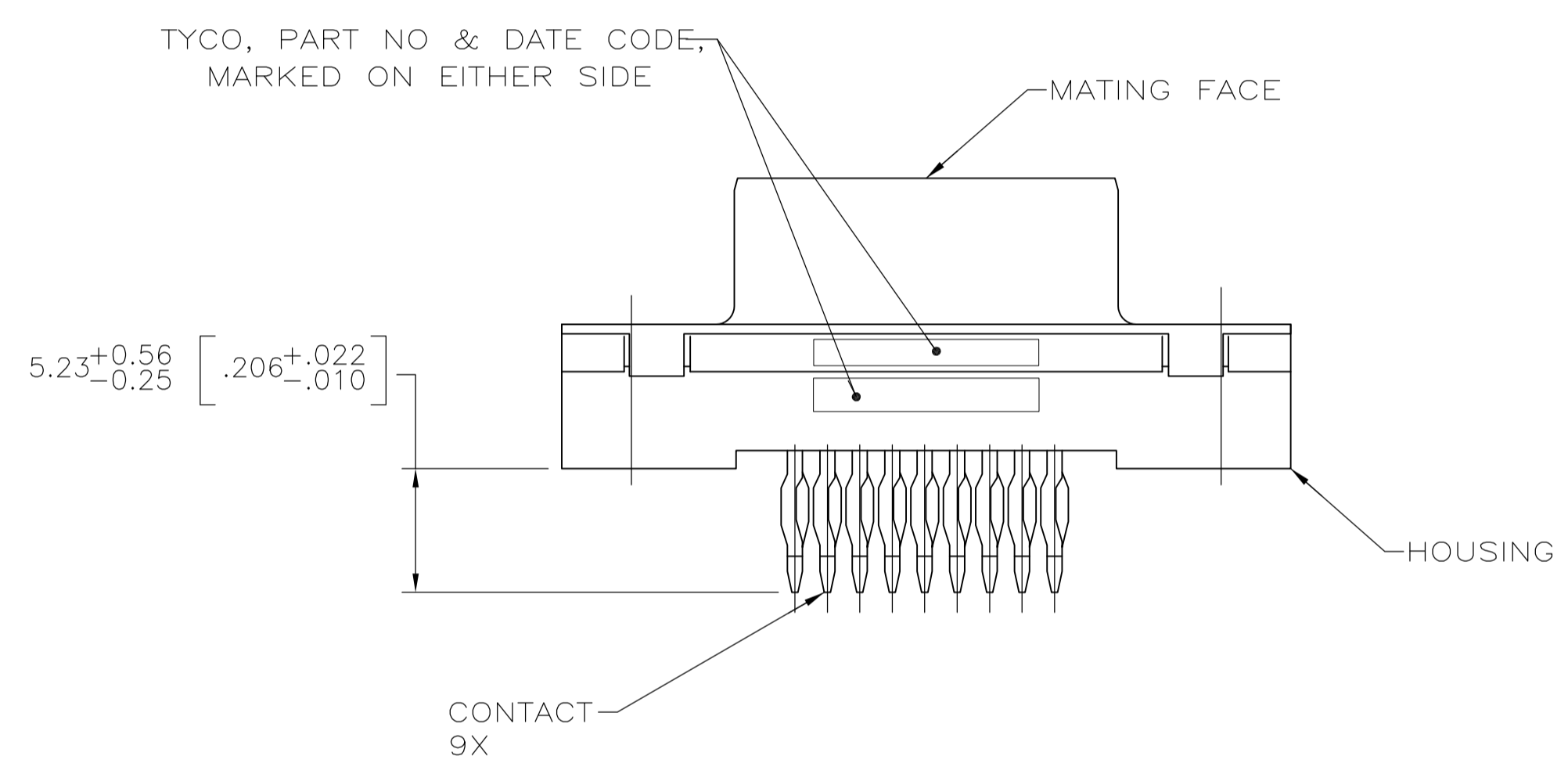
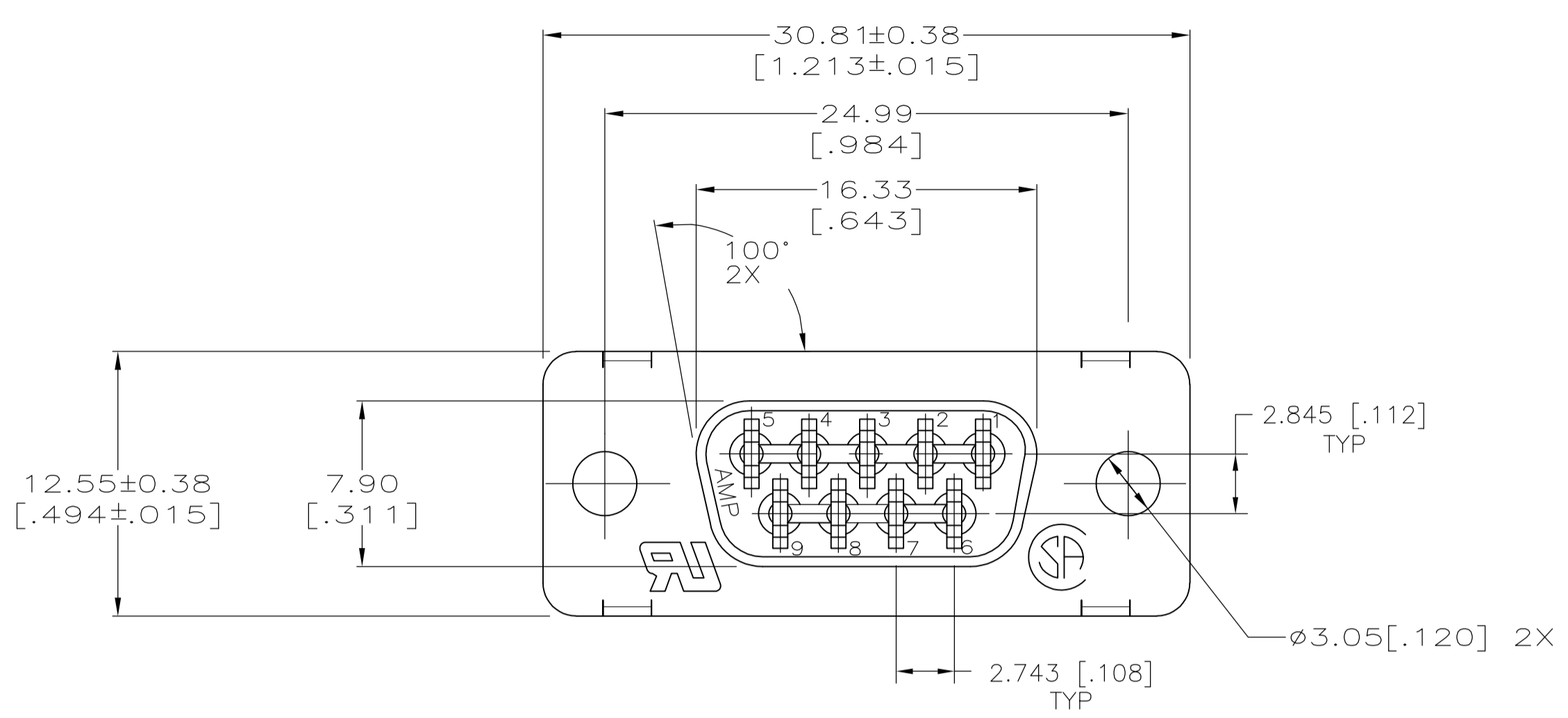


LOC		DIST		REVISIONS			
GP	00	REV	DATE	BY	CHK	APP	REV
C		REVISED PER ECO-12-000090	26JAN2012	CJV	SLB		



- 1 FOR USE WITH 2.36 (.093) MINIMUM THICK PRINTED CIRCUIT BOARD. REFER TO APPLICATION SPECIFICATION FOR PRINTED CIRCUIT BOARD LAYOUT DIMENSIONS AND FINISH RECOMMENDATIONS.
- 2 MATERIAL:  
HOUSING: GLASS-FILLED NYLON OR POLYESTER, UL 94V-0 RATED, COLOR: BLACK.  
CONTACTS: COPPER ALLOY.  
SHELL: CARBON STEEL.
- 3 SHELL:  $5.06 \mu\text{m}$  [.000200] MIN TIN OVER  $2.54 \mu\text{m}$  [.000100] MIN COPPER.
- 4 DATUMS AND BASIC DIMENSIONS ESTABLISHED BY CUSTOMER.
- 5 CONTACTS:  
0.76 MICRO METERS [.000030] MINIMUM GOLD IN MATING AREA.  
2.54 MICRO METERS [.000100] MINIMUM TIN ON COMPLIANT PIN.  
ALL OVER 1.27 MICRO METERS [.000050] MINIMUM NICKEL  
OR  
GOLD FLASH OVER PALLADIUM NICKEL,  
0.76 MICRO METERS [.000030] MINIMUM TOTAL IN MATING AREA.  
2.54 MICRO METERS [.000100] MINIMUM TIN ON COMPLIANT PIN.  
ALL OVER 1.27 MICRO METERS [.000050] MINIMUM NICKEL.

5747089-2  
PART NUMBER

THIS DRAWING IS A CONTROLLED DOCUMENT. DIMENSIONING AND TOLERANCING PER ASME Y14.5M-2009		DWG: G. PETERS/DTI CHK: S. BOLASH	DATE: 01/26/2012	REV: 00	BY: CJV	APP: SLB	REV: 00
DIMENSIONS: INCHES		TOLERANCES UNLESS OTHERWISE SPECIFIED:		APPROVED: M. WALMSLEY		NAME: RECEPTACLE ASSEMBLY, ACTION-PIN, 9 POSITION, HD-20, AMPLIMITE	
0 PLC ± -		1 PLC ± -		PRODUCT SPEC: 108-40014		SIZE: A1	
2 PLC ± 0.13 [.005]		3 PLC ± -		APPLICATION SPEC: 114-40026		SCALE: 4:1	
4 PLC ± -		ANGLES ± -		DRAWING NO: 00779		SHEET 1 OF 1	
MATERIAL: 2		FINISH: 3, 5		WEIGHT: -		REV: C	
CUSTOMER DRAWING				SCALE: 4:1 SHEET 1 OF 1 REV: C			