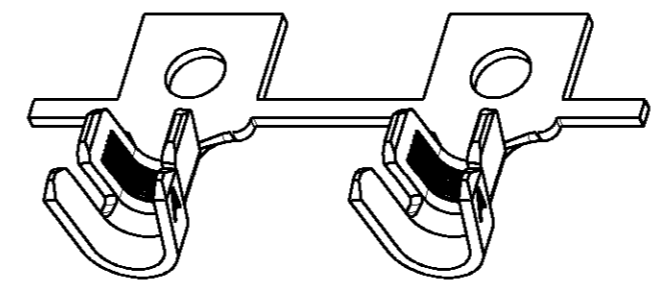
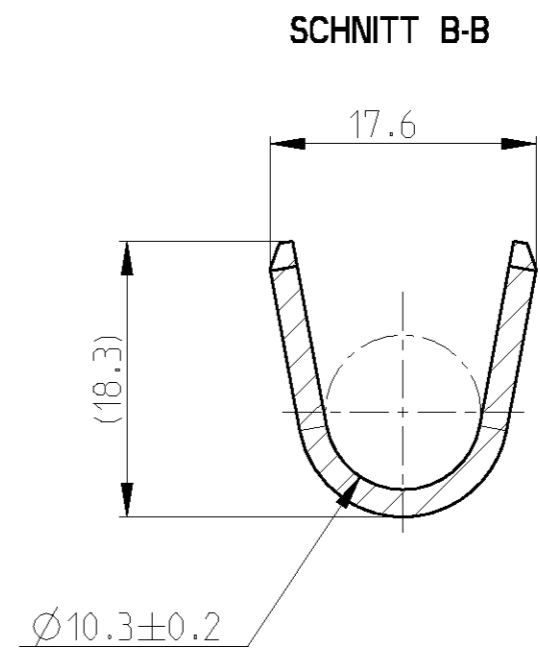
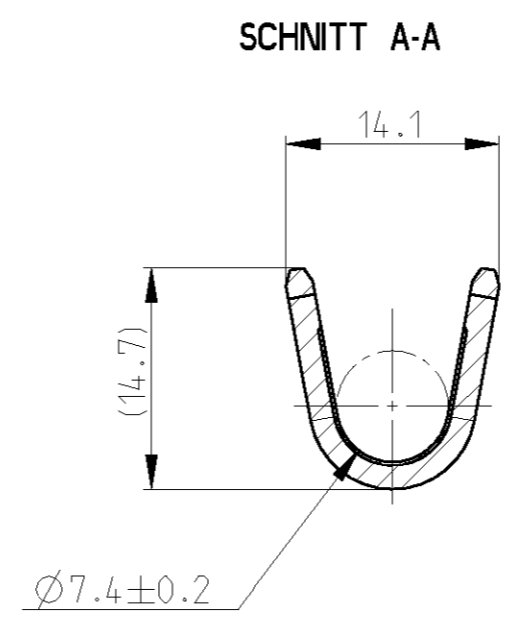
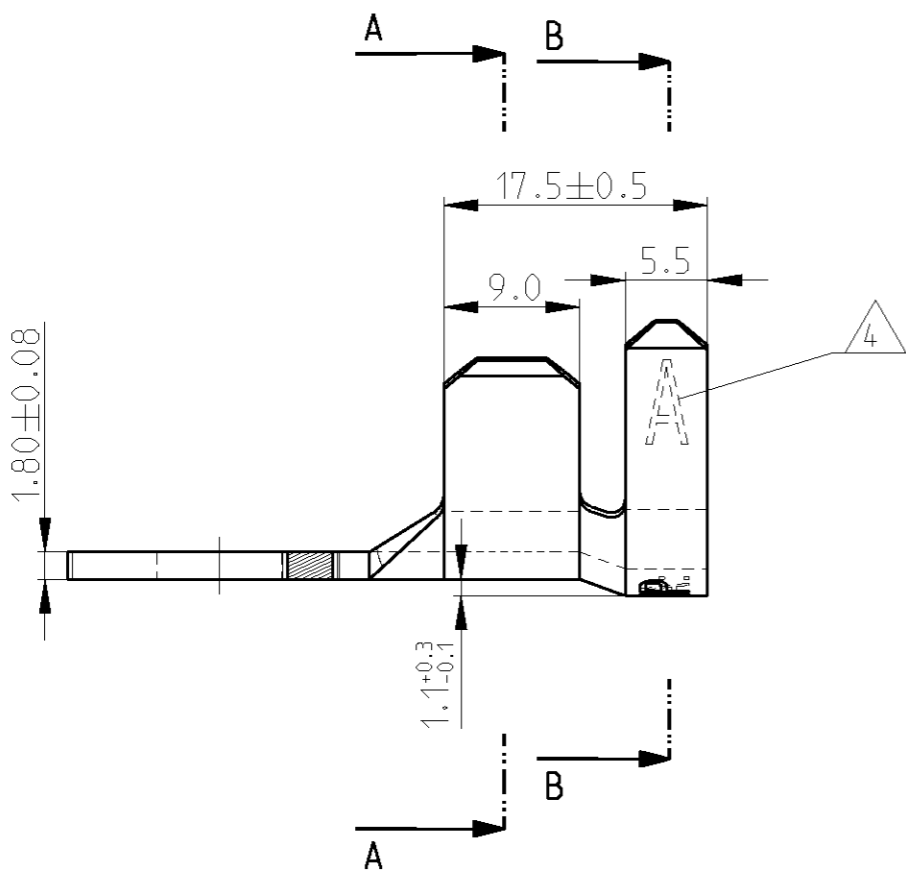


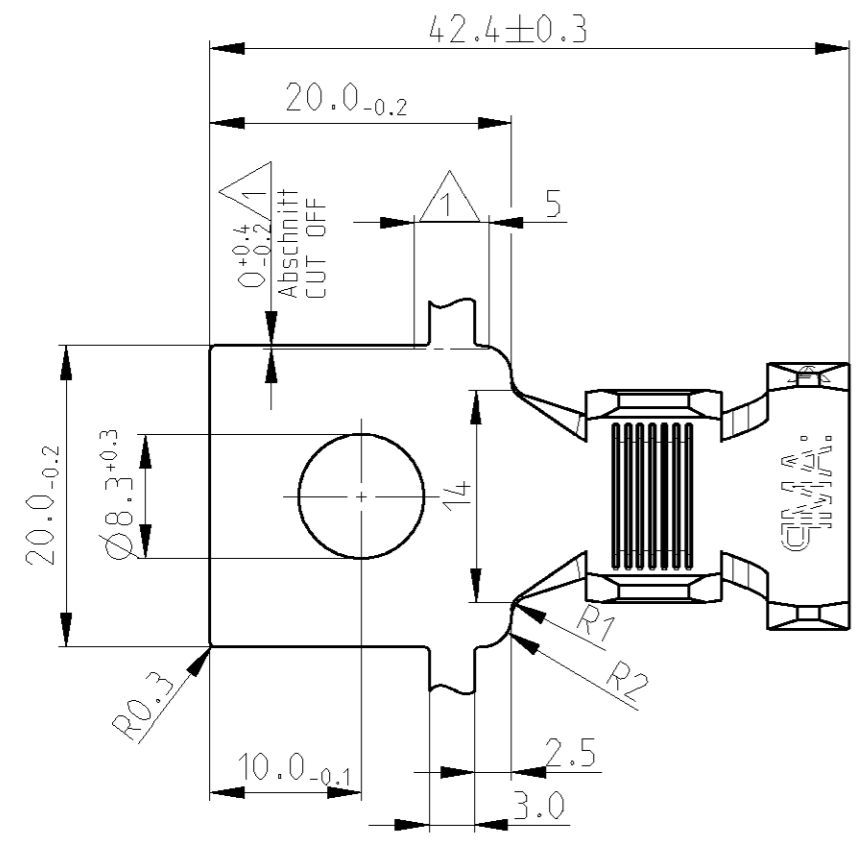
THIS DRAWING IS UNPUBLISHED. RELEASED FOR PUBLICATION 2000  
 © COPYRIGHT 2000 BY TYCO ELECTRONICS CORPORATION. ALL RIGHTS RESERVED.

LOC	DIST	REVISIONS			
P	LTR	DESCRIPTION	DATE	DWN	APVD
A1	01				
	A2	neu gezeichnet	24.09.02	RL	



MASSTAB 1:1

- 1 Massangabe fuer Anschlagwerkzeug  
DIMENSION FOR APPLICATOR
- 2 Drahtgroessenbereich/WIRE RANGE: 25 - 35mm<sup>2</sup>  
Isolationsdurchmesser/INSUL. RANGE: 8.5 - 11.5mm<sup>2</sup>
- 3 Teile auf Kunststoffspule aufgewickelt (nicht unterbrechungsfrei)  
Menge/Spule: 450  
PARTS REELED ON PLASTIC-REEL (NOT SPLICE FREE)  
QUANTITY/REEL: 450
- 4 Aenderungsstand des Produktes  
REVISIONSTATUS OF PRODUCT



PLAIN / Blank	CuSn 4	DIN EN 1652	auf Anfrage
PLAIN / Blank	CuZn30	DIN EN 1652	929 928-1
FINISH/Oberflaeche	MATERIAL		PART NO/Bestell-Nr.

DIMS: mm		TOL: UNLESS OTHERWISE SPECIFIED:		DWN: R.Liebing	03SEP2002		tyco Electronics AMP GmbH	
		0 PLC ±0.4 1 PLC ±0.1 2 PLC ±0.01 3 PLC ±0.005 4 PLC ±0.5 ANGLES ±0.5		CHK: -	-		D - 64625 Bensheim	
MATERIAL: -		FINISH: -		APVD: -	-	NAME: RING TONGUE Kabelschuh 8-35		RESTRICTED TO: -
CUSTOMER DRAWING		SCALE: 2:1		PRODUCT SPEC: -	APPLICATION SPEC: -	SIZE: A3	CAGE CODE: 00779	DRAWING NO: C=929928
		SHEET 1 OF 1		WEIGHT: -		REV: A2		