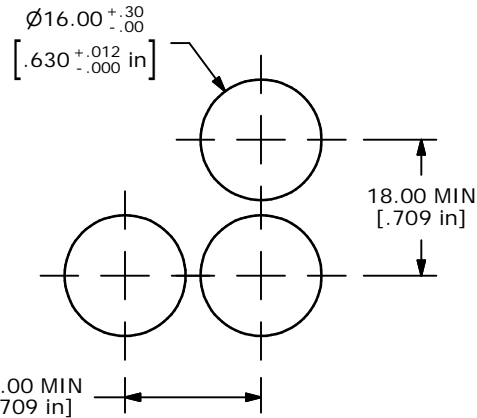
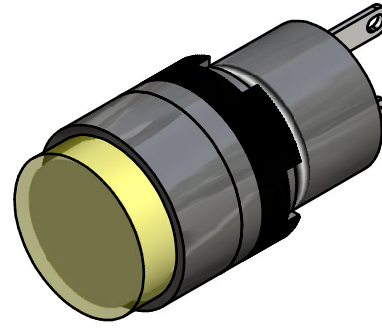
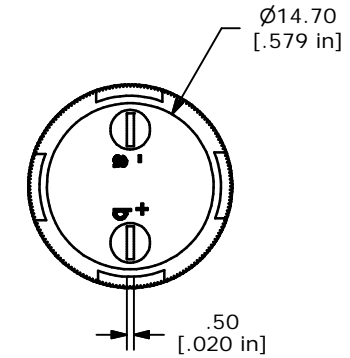
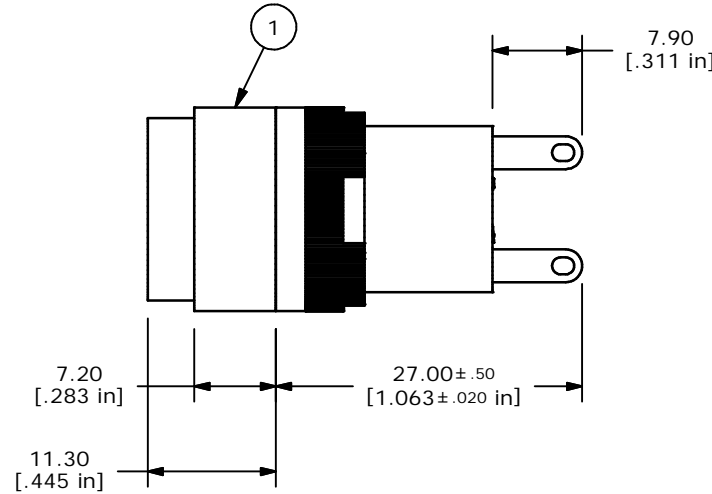
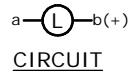
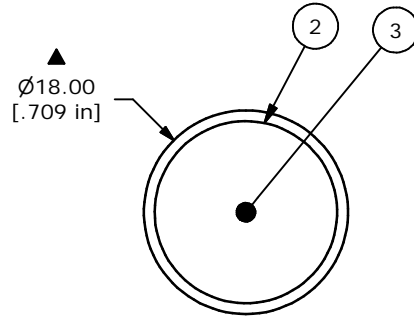


PARTS LIST				
ITEM	QTY	PART NUMBER	DESCRIPTION	
1	1	F040003	L16PL10 BODY	
2	1	F050106	50-001-06 YELLOW CONCAVE TRANSPARENT LENS	
3	1	F050424	50-004-24 YELLOW 24V LED	



RECOMMENDED PANEL MOUNTING



- NOTE:
1. ALL DIMENSIONS IN MM [INCH]
  2. GENERAL TOLERANCE: X.X=±0.4  
X.XX=±0.25
  3. TERMINAL NUMBERS FOR REF ONLY
  4. OPERATING TEMP: -25°C to +55°C
  5. STORAGE TEMP: -40°C TO +85°C
  - ▲ 6. LAMP VOLTAGE: 24VDC LED
  7. ▲ DENOTES CRITICAL PARAMETER.

**E-SWITCH®**

A	14711	RELEASED FOR PRODUCTION	2/22/05	AR
REV	PCR NO	DESCRIPTION	DATE	BY

TITLE L16PLR10KYELYEL				
SCALE	DATE	DR	DWG	REV
1.5:1	2/22/05	AR	XF0271P	A

THE INFORMATION CONTAINED IN THIS DOCUMENT IS PROPRIETARY TO E-SWITCH AND IS NOT TO BE COPIED OR TRANSFERRED