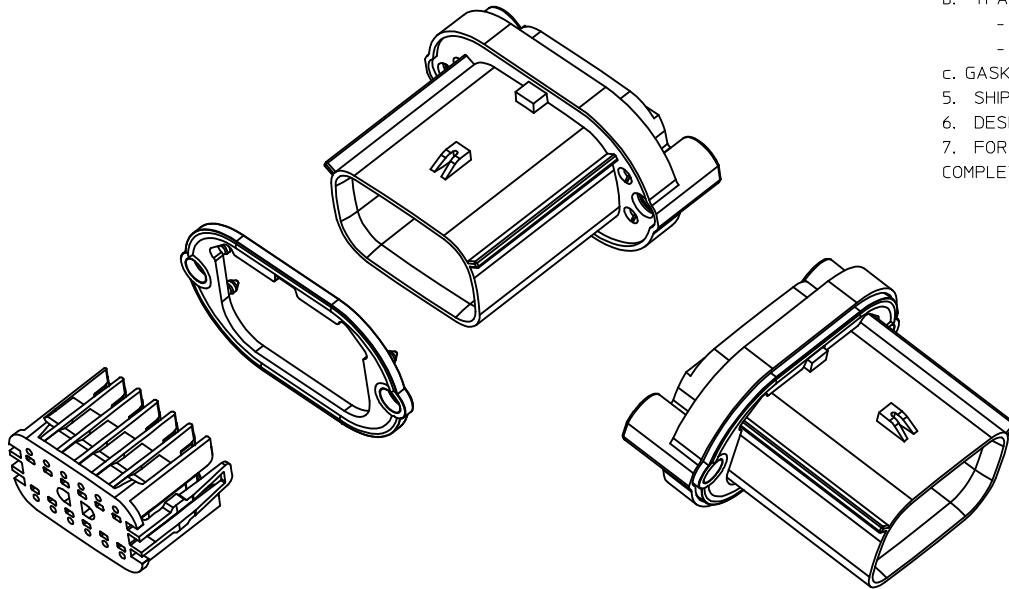


TABLE OF CONTENTS	
SHEET 1	NOTES, ISO VIEW
SHEET 2	BOM, POLARIZATION
SHEET 3	DETAIL VIEWS AND SECTIONS

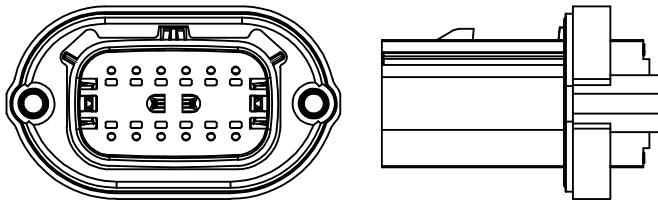
NOTES: VALID UNLESS OTHERWISE SPECIFIED

1. APPLICATION SPECIFICATION SEE: AS-47725-001
2. PRODUCT SPECIFICATION SEE: PS-47725-000
3. PARTS MUST BE IN COMPLIANCE TO MOLEX CHEMICAL SUBSTANCES FOR PRODUCTS AND PACKAGING SPECIFICATION: ES-40000-5016
4. MATERIALS:
 - a. HOUSING:
 - UL HB PART: PBT, 15% GLASS FILLED
 - UL V0 PART: PA6, 30% GLASS FILLED
 - b. TPA:
 - UL HB PART: SPS/NYLON BLEND, 20% GLASS FILLED
 - UL V0 PART: PA6, 30% GLASS FILLED
 - c. GASKET: SILICONE
5. SHIPPED PART WITH GASKET AND TPA IN PRE-LOCK POSITION
6. DESIGNED TO MATE WITH MX150 RECEPTACLE CONNECTOR ASSEMBLY
7. FOR ESSENTIAL PARTS (TERMINAL, WIRE ETC.) AND INSTALLATION TO COMPLETE ASSEMBLY SEE MOLEX PRODUCT SPECIFICATION PS-33472-000

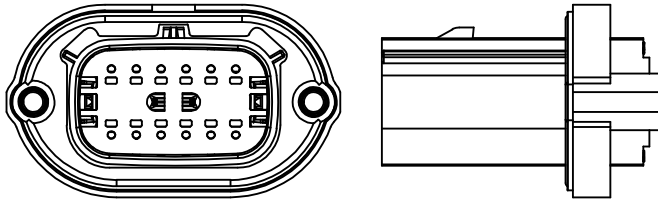


INSPECTION BALLOON NUMBER LOG													
PER DRAWING REVISION: B													
LAST BALLOON NUMBER USED: 5													
ADDED BALLOON NUMBERS:													
REMOVED BALLOON NUMBERS:													
<table border="1" style="width: 100%;"> <tr> <td style="width: 10%;">A</td> <td>INITIAL RELEASE</td> </tr> <tr> <td>REV</td> <td>DESCRIPTION</td> </tr> </table>										A	INITIAL RELEASE	REV	DESCRIPTION
A	INITIAL RELEASE												
REV	DESCRIPTION												
INITIAL RELEASE EC NO: GCA2017-0080 DRWN: CDZHANG 2017/04/11 CHKD: JDENG02 2017/04/24 APPR: JDENG02 2017/04/24	QUALITY SYMBOLS ∇=0 ∇=0 ∇=0	GENERAL TOLERANCES (UNLESS SPECIFIED)		DIMENSION STYLE MM ONLY		SCALE 2:1	DESIGN UNITS METRIC	THIRD ANGLE PROJECTION					
			mm	INCH	DRAWN BY CDZHANG	DATE 2015/11/20	TITLE	MX150 2X6 PANEL MOUNT CONNECTOR molex MATERIAL NO. ON SHEET 2 DOCUMENT NO. SD-47725-601 SHEET NO. 1 OF 3					
		4 PLACES	±----	±----	CHECKED BY JDENG02	DATE 2015/11/20							
		3 PLACES	±----	±----	APPROVED BY CBQIU	DATE 2015/12/21							
2 PLACES	±----	±----											
1 PLACE	±----	±----											
0 PLACE	±----	±----											
		ANGULAR ±----°											
		DRAFT WHERE APPLICABLE MUST REMAIN WITHIN DIMENSIONS											

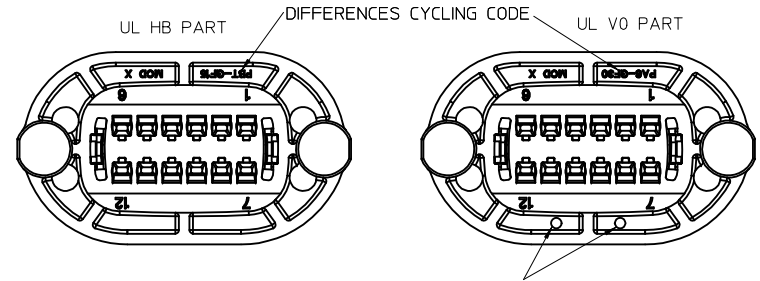
47725-60XX
47725-90XX



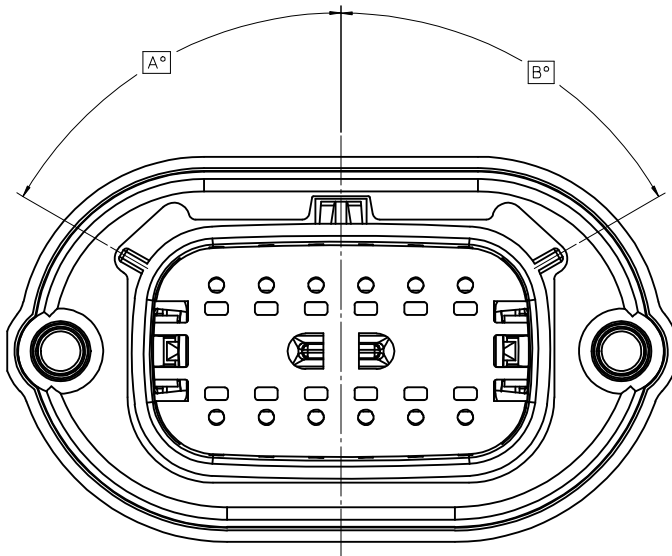
47725-70XX



DIFFERENCE BETWEEN UL HB PART AND UL V0 PART



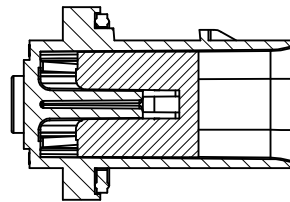
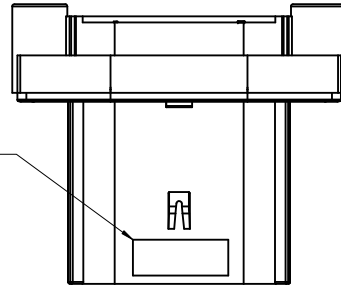
2 COLUMNS ADDED ON V0 PART TO DISTINGUISH FROM HB GRADE PART



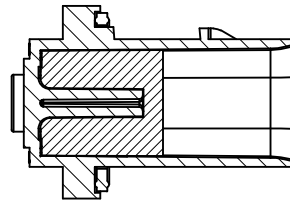
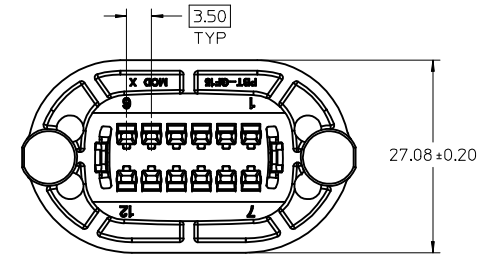
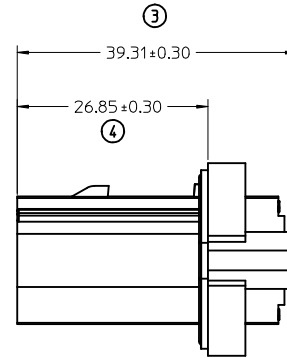
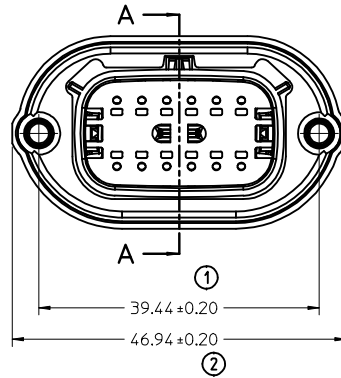
UL GRADE	PART NUMBER	KEYING OPTION	COLOR	DIMENSIONS		STATUS
				A	B	
HB	477256010	A	BLACK	60	60	TOOLED
	477256020	B	LIGHT GRAY	25	60	
	477256030	C	DARK GRAY	60	25	TOOLED
	477256040	D	STONE GRAY	25	25	TOOLED
	477257010	A	BLACK	60	60	TOOLED
	477257020	B	LIGHT GRAY	25	60	
V0	477259010	A	BLACK	60	60	TOOLED
	477259020	B	LIGHT GRAY	25	60	
	477259030	C	DARK GRAY	60	25	TOOLED
	477259040	D	STONE GRAY	25	25	TOOLED

INITIAL RELEASE EC NO: GCA2017-0080 DRWN: CDZHANG 2017/04/11 CHKD: APPR: JDENG02 2017/04/24 REV:	QUALITY SYMBOLS ∇=0 ∇=0 ∇=0	GENERAL TOLERANCES (UNLESS SPECIFIED) <table border="1"> <tr> <th></th> <th>mm</th> <th>INCH</th> </tr> <tr> <td>4 PLACES</td> <td>±---</td> <td>±---</td> </tr> <tr> <td>3 PLACES</td> <td>±---</td> <td>±---</td> </tr> <tr> <td>2 PLACES</td> <td>±---</td> <td>±---</td> </tr> <tr> <td>1 PLACE</td> <td>±---</td> <td>±---</td> </tr> <tr> <td>0 PLACE</td> <td>±---</td> <td>±---</td> </tr> </table>		mm	INCH	4 PLACES	±---	±---	3 PLACES	±---	±---	2 PLACES	±---	±---	1 PLACE	±---	±---	0 PLACE	±---	±---	DIMENSION STYLE MM ONLY DRAWN BY: CDZHANG DATE: 2015/11/20 CHECKED BY: JDENG02 DATE: 2015/11/20 APPROVED BY: CBQIU DATE: 2015/12/21	SCALE 2:1 DESIGN UNITS METRIC THIRD ANGLE PROJECTION	TITLE MX150 2X6 PANEL MOUNT CONNECTOR
		mm	INCH																				
	4 PLACES	±---	±---																				
	3 PLACES	±---	±---																				
2 PLACES	±---	±---																					
1 PLACE	±---	±---																					
0 PLACE	±---	±---																					
	ANGULAR ±---° DRAFT WHERE APPLICABLE MUST REMAIN WITHIN DIMENSIONS	MATERIAL NO. SEE TABLE	DOCUMENT NO. SD-47725-601	SHEET NO. 2 OF 3																			
		SIZE A2 THIS DRAWING CONTAINS INFORMATION THAT IS PROPRIETARY TO MOLEX INCORPORATED AND SHOULD NOT BE USED WITHOUT WRITTEN PERMISSION																					

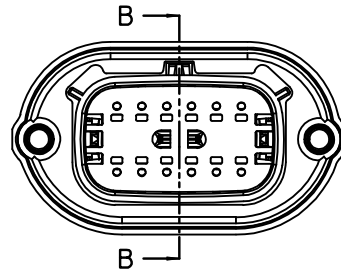
TRACEABILITY INFORMATION
LOCATION IN THIS AREA



SECTION A-A
(TPA SHOWN IN PRE-LOCK POSITION
FOR REFERENCE ONLY)



SECTION B-B
(TPA SHOWN IN FULL-LOCK POSITION
FOR REFERENCE ONLY)



INITIAL RELEASE EC NO: GCA2017-0080 DRWN: CDZHANG 2017/04/11 CHKD: APPR: JDENG02 2017/04/24 REV:	QUALITY SYMBOLS	GENERAL TOLERANCES (UNLESS SPECIFIED)		DIMENSION STYLE	SCALE	DESIGN UNITS	THIRD ANGLE PROJECTION
	▽=0	mm	INCH	MM ONLY	2:1	METRIC	
	▽=0	4 PLACES ±--- ±---		DRAWN BY	DATE	TITLE	
	▽=0	3 PLACES ±--- ±---		CDZHANG	2015/11/20	MX150 2X6 PANEL MOUNT CONNECTOR	
	2 PLACES ±--- ±---		CHECKED BY	DATE			
	1 PLACE ±--- ±---		JDENG02	2015/11/20			
	0 PLACE ±--- ±---		APPROVED BY	DATE	DOCUMENT NO.		SHEET NO.
	ANGULAR ±---°		CBQIU	2015/12/21	SD-47725-601		3 OF 3
DRAFT WHERE APPLICABLE MUST REMAIN WITHIN DIMENSIONS			ON SHEET 2		THIS DRAWING CONTAINS INFORMATION THAT IS PROPRIETARY TO MOLEX INCORPORATED AND SHOULD NOT BE USED WITHOUT WRITTEN PERMISSION		