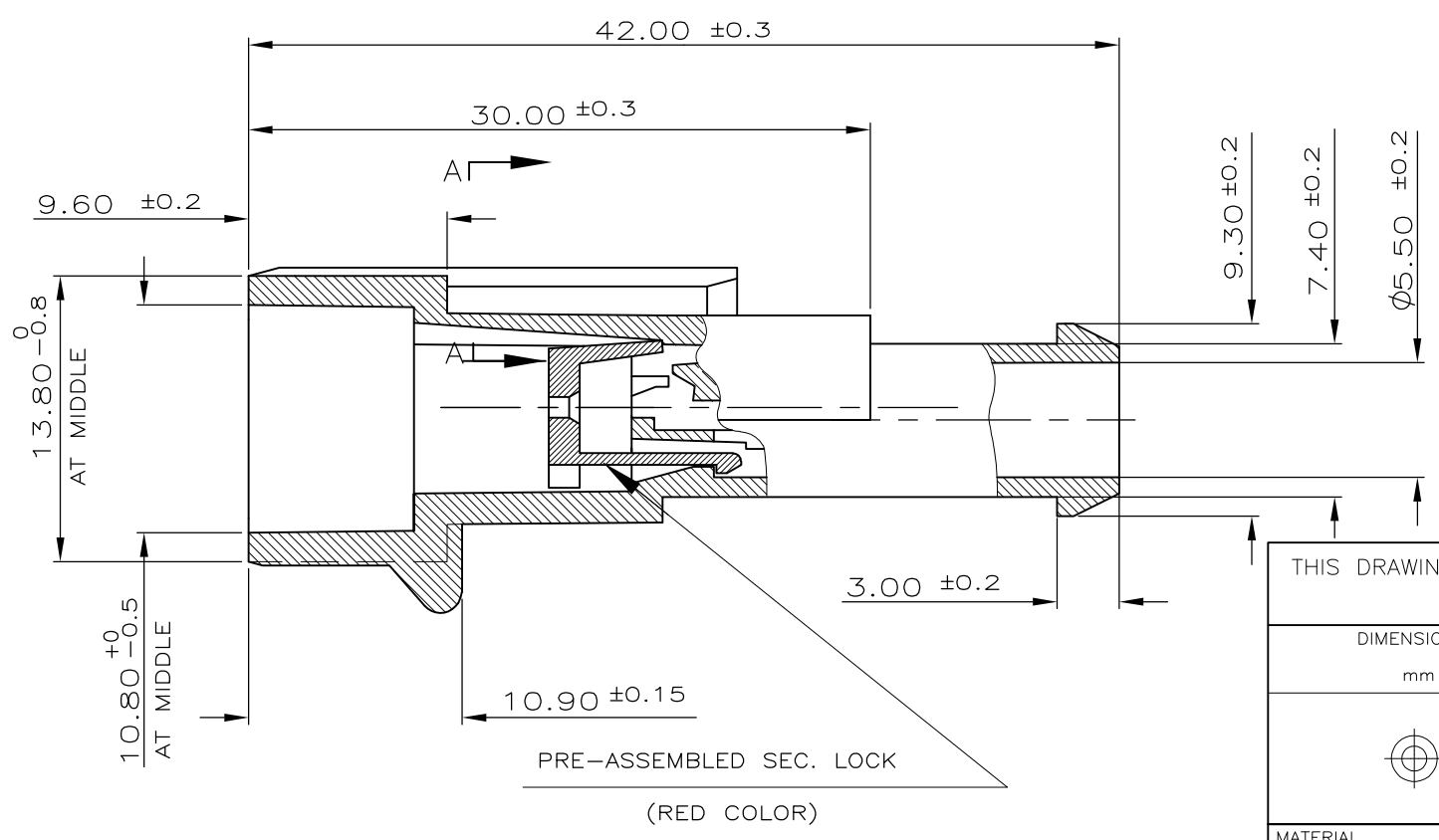
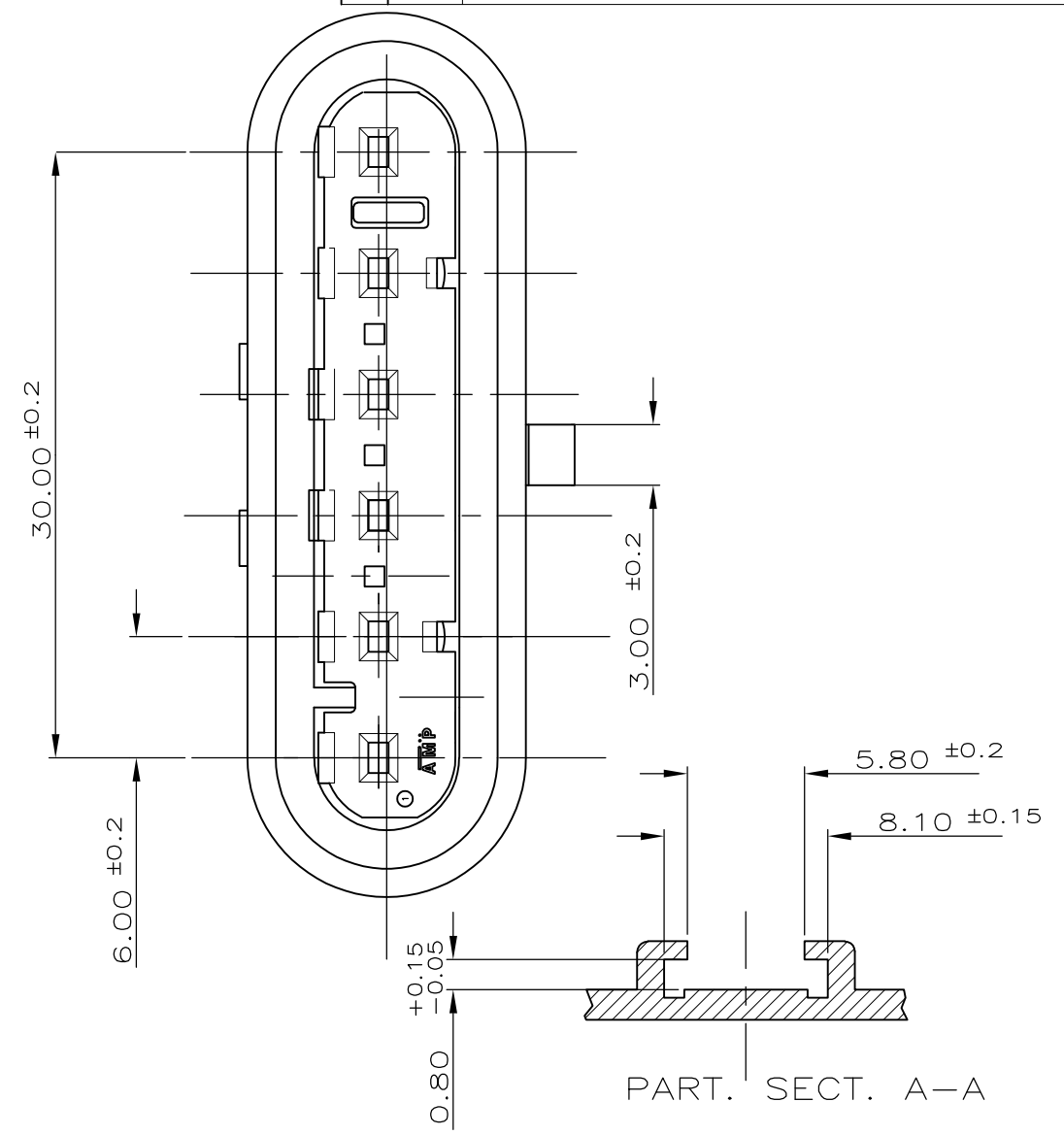
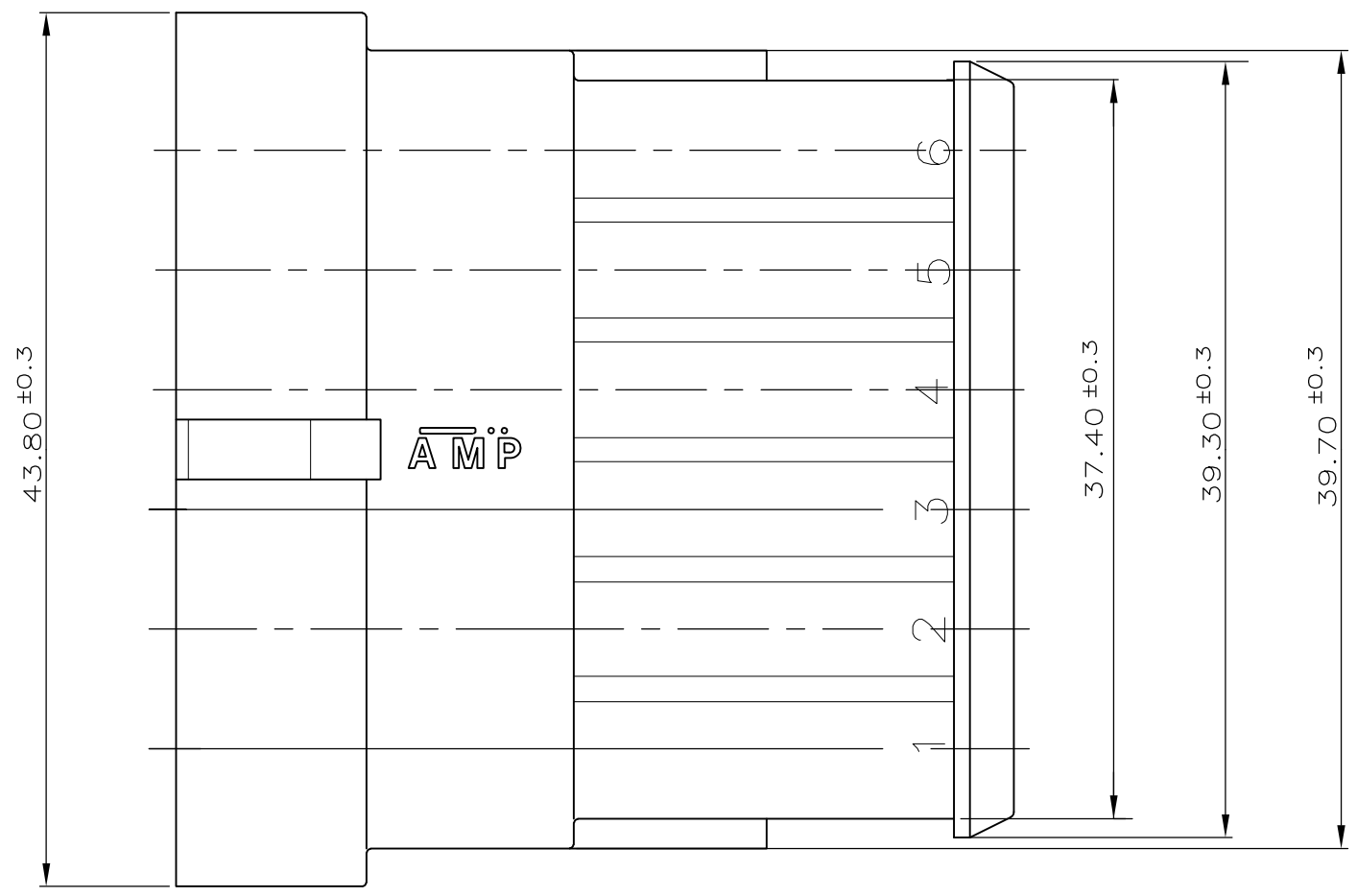


THIS DRAWING IS UNPUBLISHED. RELEASED FOR PUBLICATION  
 © COPYRIGHT - By - ALL RIGHTS RESERVED.

LOC	DIST	REVISIONS			
P	LTR	DESCRIPTION	DATE	DWN	APVD
		C2	REVISED PER ECO-11-005033	13APR11	RK HMR



GREY	G.F. PA66	282108-2
BLACK	G.F. PA66	282108-1
FINITURA / COLORE (FINISH / COLOUR)	MATERIALE (MATERIAL)	NUMERO (PART NUMBER)
CUSTOMER DWG. FOR REFERENCE ONLY		DISEGNO PER CLIENTE SOLO PER RIFERIMENTO

THIS DRAWING IS A CONTROLLED DOCUMENT.

DIMENSIONS:	TOLERANCES UNLESS OTHERWISE SPECIFIED:
mm	0 PLC ± -
	1 PLC ± 0.3
	2 PLC ± -
	3 PLC ± -
	4 PLC ± -
	ANGLES ± 2°

MATERIAL	FINISH
-	-

DWN	C.BERTINI	2-90
CHK	A.BRUNI	1/10/92
APVD	-	-
PRODUCT SPEC	-	-
APPLICATION SPEC	-	-
WEIGHT	-	-

TE Connectivity			
SIZE	CAGE CODE	DRAWING NO	RESTRICTED TO
A3	00779	C-282108	-
CUSTOMER DRAWING			SCALE - SHEET 1 OF 1 REV C2