

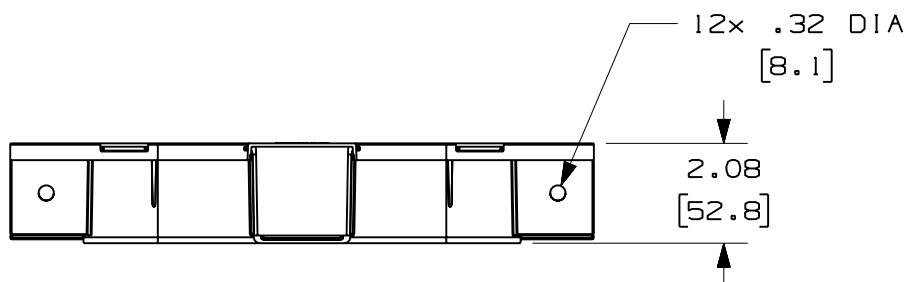
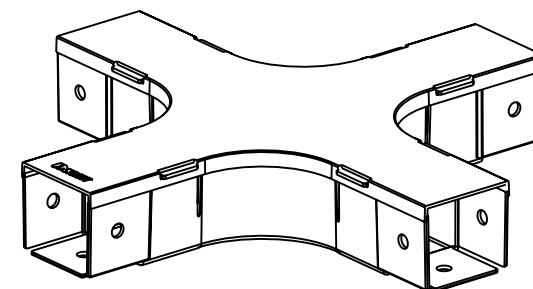
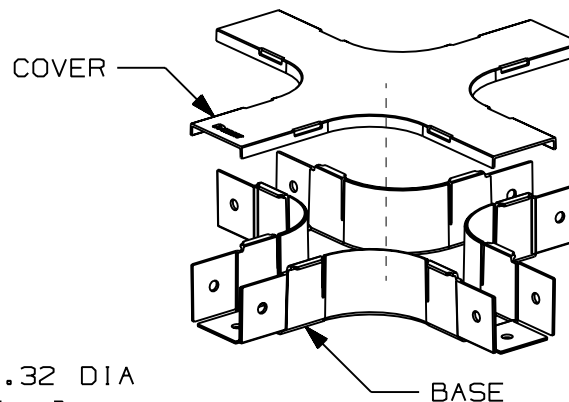
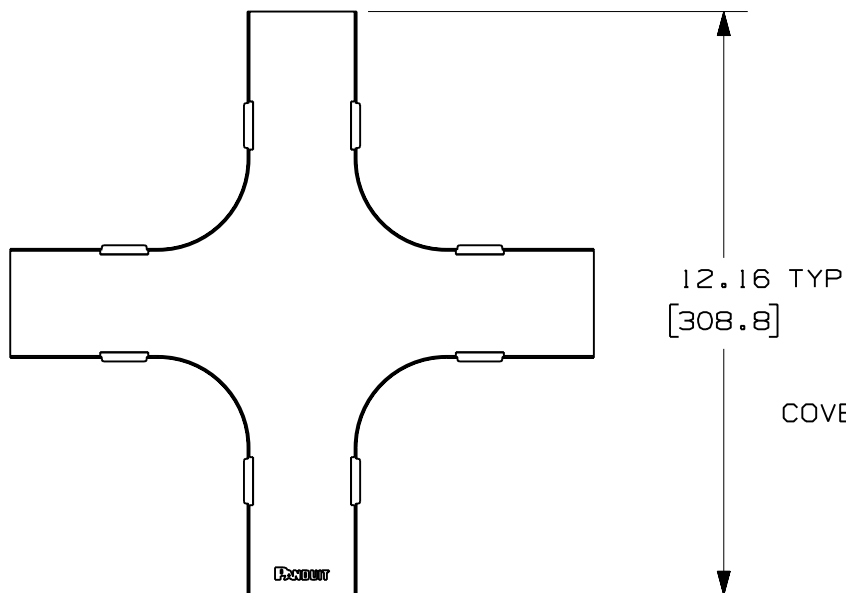


PANDUIT PART NUMBER	WEIGHT
FFWC2X2	0.61 LB/EACH (275g/EACH)



NOTES:

- SEE CURRENT CATALOG FOR ADDITIONAL PART SUFFIXES TO INDICATE COLOR AND/OR PACKAGE QUANTITY.
- THE FIBER-DUCT 2x2 AND FIBERRUNNER 2x2 FOUR-WAY CROSS FITTING IS DESIGNED WITH A MINIMUM 2" (50.8) BEND RADIUS TO PROTECT FIBER OPTIC CABLES.
- DIMENSIONS IN PARENTHESES ARE IN METRIC.



ENG. REF.: D35245BV_DC_FFWC2X2_03.prt

CAD FILENAME/LAYERS



FFWC2X2.pdf

PANDUIT CORP TINLEY PARK, ILLINOIS
 FIBER-DUCT 2x2 AND FIBERRUNNER 2x2
 FOUR-WAY CROSS FITTING (FFWC2X2)
 CUSTOMER DRAWING

UNLESS OTHERWISE SPECIFIED,
 DIMENSIONAL TOLERANCES ARE:
 (.X) ± (.XXX) ±
 (.XX) ± .03 (.8) ANGLES ±

UNLESS OTHERWISE SPECIFIED,
 ALL DIMENSIONS ARE GIVEN IN
 INCHES, THIRD ANGLE PROJECTION.

DRAWN BY: PM
 DATE: 1-21-97
 CHK'D: CEF

MAT'L: ABS

SCALE: NONE
 DRAWING NO.: 35245-22
 DWG SIZE: A

REV	DATE	BY	CHK	DESCRIPTION	ECN	R	CUST	SUP	GMBH
-	-----	---	---	H. REVISED PART WEIGHT	-----	--	--		
-	-----	---	---	G. REVISED GENERAL NOTES F. REVISED CAD FILENAME	-----	--	--		
3	6-22-06	DTP	RN	E. REVISED DRAWING TITLE D. REVISED AND REDRAWN	35245-22	RN	RN		