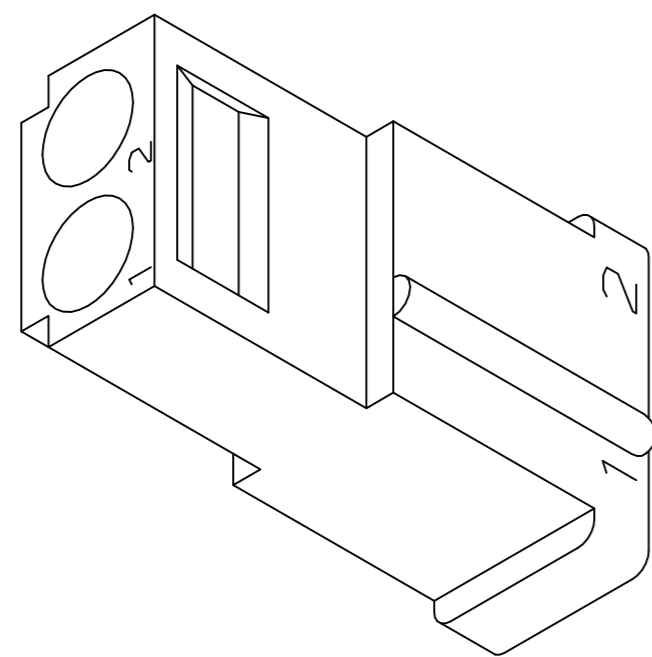
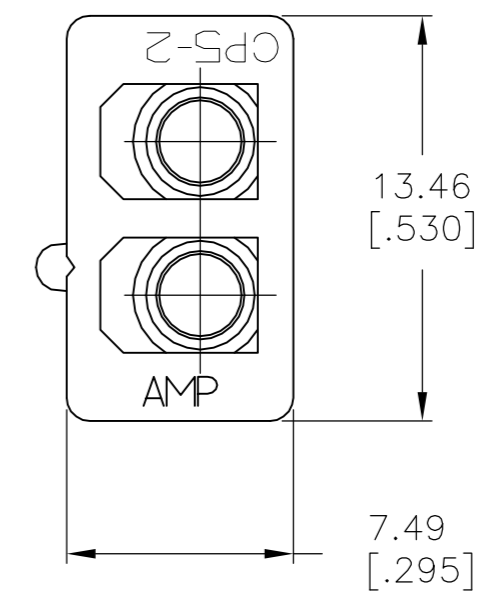
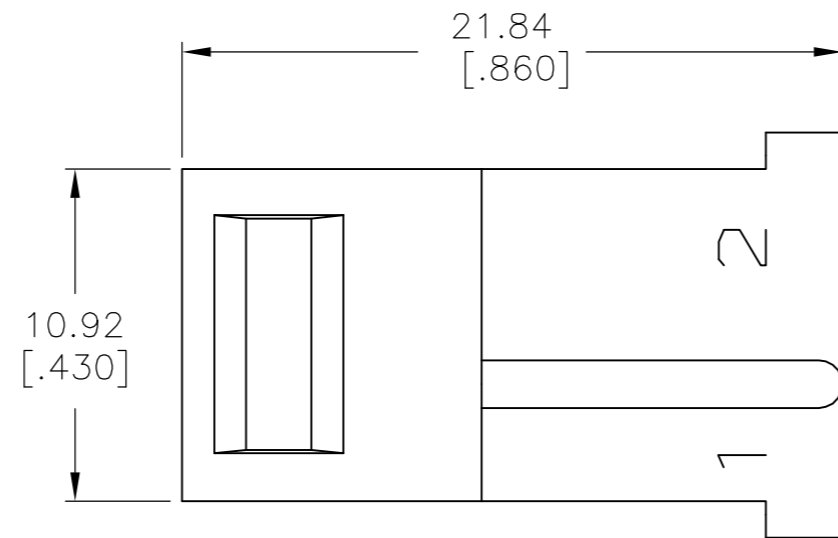
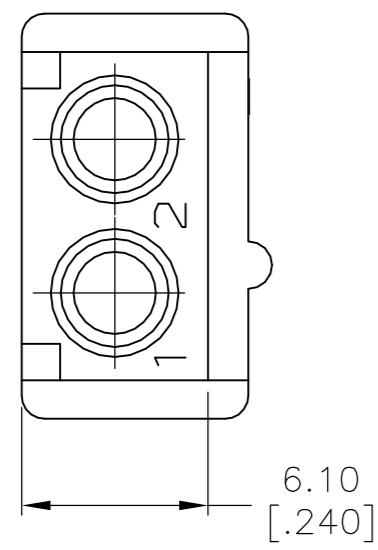


THIS DRAWING IS UNPUBLISHED. RELEASED FOR PUBLICATION
 © COPYRIGHT - By - ALL RIGHTS RESERVED.

LOC		DIST		REVISIONS			
P	LTR	DESCRIPTION		DATE	DWN	APVD	
CM	0	S2		REVISED PER ECR 12-000628	11JAN12	JR	TM

- 1 THIS PLUG TO BE USED WITH CAP NO. 480319.
- 2 TO BE USED WITH APPROPRIATE COMMERCIAL MATE-N-LOK™ SOCKETS.
- 3 DIMENSIONS IN BRACKETS ARE IN INCHES.



3-DIMENSIONAL MODELS
NTS

METRIC

NATURAL UL94V-0	2-480318-0
BLACK UL94V-2	1-480318-9
YELLOW UL94V-2	1-480318-4
NATURAL UL94V-2	1-480318-0
COLOR	PART NUMBER

THIS DRAWING IS A CONTROLLED DOCUMENT.		DWN K. WHITAKER 04NOV2005	TE Connectivity	
DIMENSIONS: mm [INCHES]		CHK D. COLEY 04NOV2005	NAME PLUG, 2 CIRCUIT, COMMERCIAL MATE-N-LOK (TM)	
TOLERANCES UNLESS OTHERWISE SPECIFIED:		APVD D. COLEY 04NOV2005	SIZE A2	CAGE CODE 00779
0 PLC ± -	1 PLC ± -	PRODUCT SPEC	DRAWING NO C=480318	RESTRICTED TO -
2 PLC ± 0.13[.005]	3 PLC ± -	APPLICATION SPEC	SCALE 4:1	SHEET 1 of 1
4 PLC ± -	ANGLES ± -	WEIGHT -	CUSTOMER DRAWING	REV S2
MATERIAL -	FINISH -			