

6

5

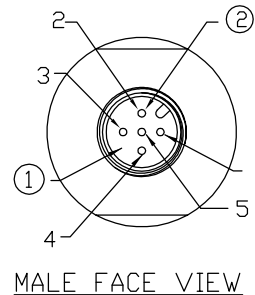
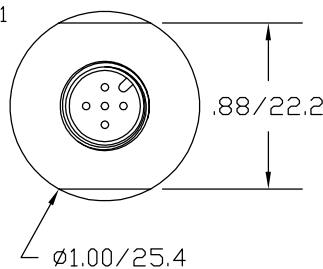
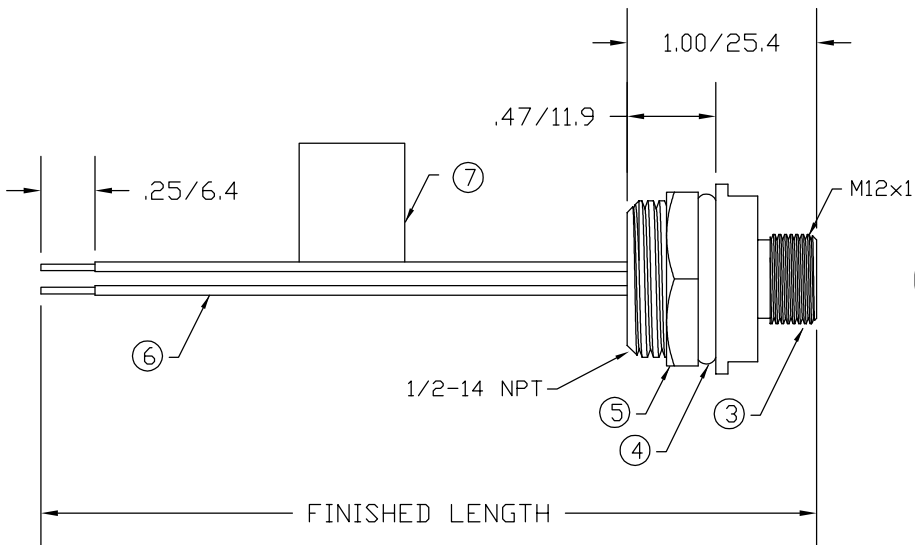
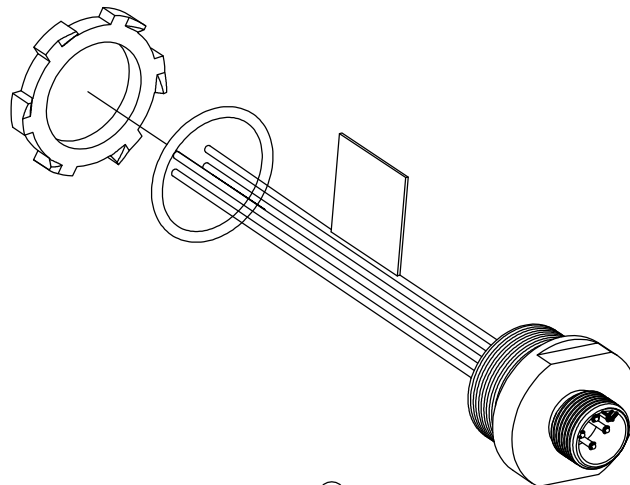
4

3

2

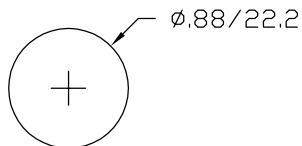
1

| MATERIAL NUMBER | OLD PART NUMBER | FINISHED LENGTH |
|-----------------|-----------------|-----------------------------|
| 120070-0251 | 8R5006A18A060 | 6" +.75" -0 [.2M +19.1 -0] |
| 120070-0252 | 8R5006A18A120 | 12" +.75" -0 [.3M +19.1 -0] |



| | |
|---|-------|
| 1 | BROWN |
| 2 | WHITE |
| 3 | BLUE |
| 4 | BLACK |
| 5 | GRAY |

WIRING DIAGRAM



TYPICAL KNOCKOUT HOLE

| | |
|-----------------------|--------------------------------|
| VOLTAGE RATING | 250 VAC/VDC |
| AMPERAGE RATING | 4 AMPS |
| PROTECTION | IP67 |
| OPERATING TEMPERATURE | -20°C TO 80°C |
| UL CERTIFICATIONS | UL LISTED, FILE NO. E152210 |
| CSA CERTIFICATIONS | CSA CERTIFIED, FILE NO. LR6837 |

| ITEM | COMPONENT | MATERIAL | FINISH |
|------|--|--------------|--------------------|
| 1 | INSERT | NYLON | BLACK |
| 2 | CONTACT PIN | COPPER ALLOY | GOLD OVER NICKEL |
| 3 | RECEPTACLE SHELL | ALUMINUM | BLACK ANODIZED |
| 4 | O-RING | NITRILE | BLACK |
| 5 | LOCKNUT | STEEL | ZINC PLATED |
| 6 | CONDUCTOR -22 AWG, 26 x #36 STRANDING, 300 VOLTS | PVC | SEE WIRING DIAGRAM |
| 7 | FLAG LABEL | VINYL | CLEAR/YELLOW |

| | |
|---------------------|----------------|
| RLSD DRAWING | 8/25/09 |
| EC NO: WNA2010-0131 | DRWN: BWOODMAN |
| CHKD: JM | APPR: JFMURPHY |
| 2009/08/27 | |

| |
|-----------------|
| QUALITY SYMBOLS |
| ▽=0 |
| ▽=0 |

| | | |
|--|-------|------|
| GENERAL TOLERANCES (UNLESS SPECIFIED) | | |
| | mm | |
| | INCH | |
| 4 PLACES | ±---- | ±--- |
| 3 PLACES | ±---- | ±--- |
| 2 PLACES | ±---- | ±.01 |
| 1 PLACE | ±0.3 | ±--- |
| ANGULAR ±--° | | |
| DRAFT WHERE APPLICABLE MUST REMAIN WITHIN DIMENSIONS | | |

| | |
|-----------------|------------|
| DIMENSION STYLE | |
| IN/MM | |
| DRAWN BY | DATE |
| BW | 2009/08/25 |
| CHECKED BY | DATE |
| TW | 2009/08/25 |
| APPROVED BY | DATE |
| JFMURPHY | 2009/08/26 |
| MATERIAL NO. | SEE CHART |
| SIZE | A |

| | | |
|---|---------------|------------------------|
| SCALE | DESIGN UNITS | THIRD ANGLE PROJECTION |
| --- | --- | ☉ |
| TITLE | | |
| MICRO-CHANGE RECEPTACLE 5 POLE MALE 1/2-14 NPT | | |
| MOLEX INCORPORATED | | |
| DOCUMENT NO. | SD-120070-006 | SHEET NO. 1 OF 1 |
| THIS DRAWING CONTAINS INFORMATION THAT IS PROPRIETARY TO MOLEX INCORPORATED AND SHOULD NOT BE USED WITHOUT WRITTEN PERMISSION | | |

6

5

4

3

2

1

E

E

D

D

C

C

B

B

A

A