

4

3

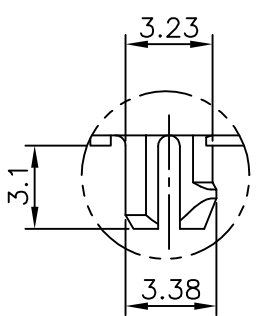
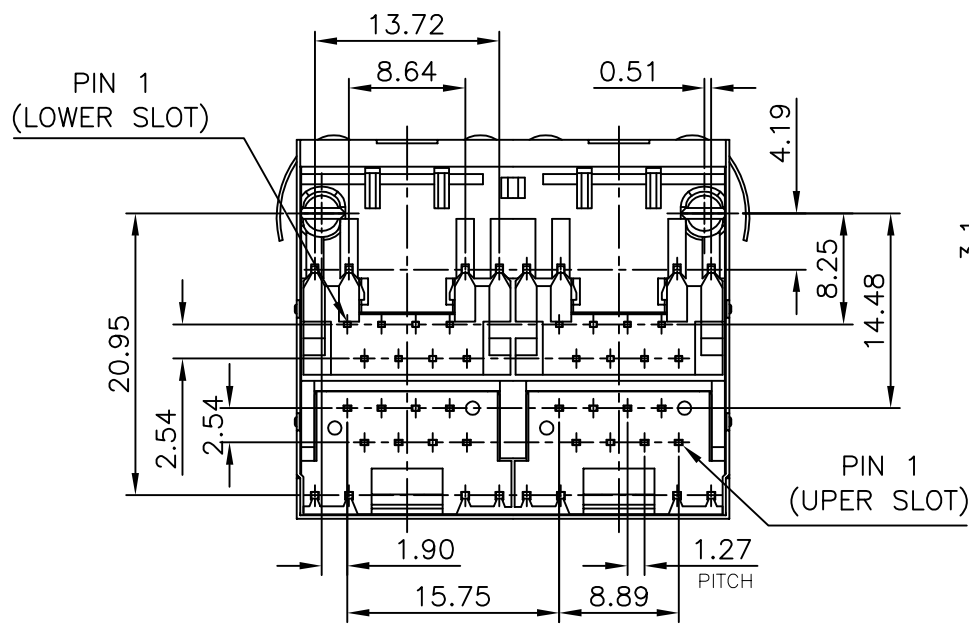
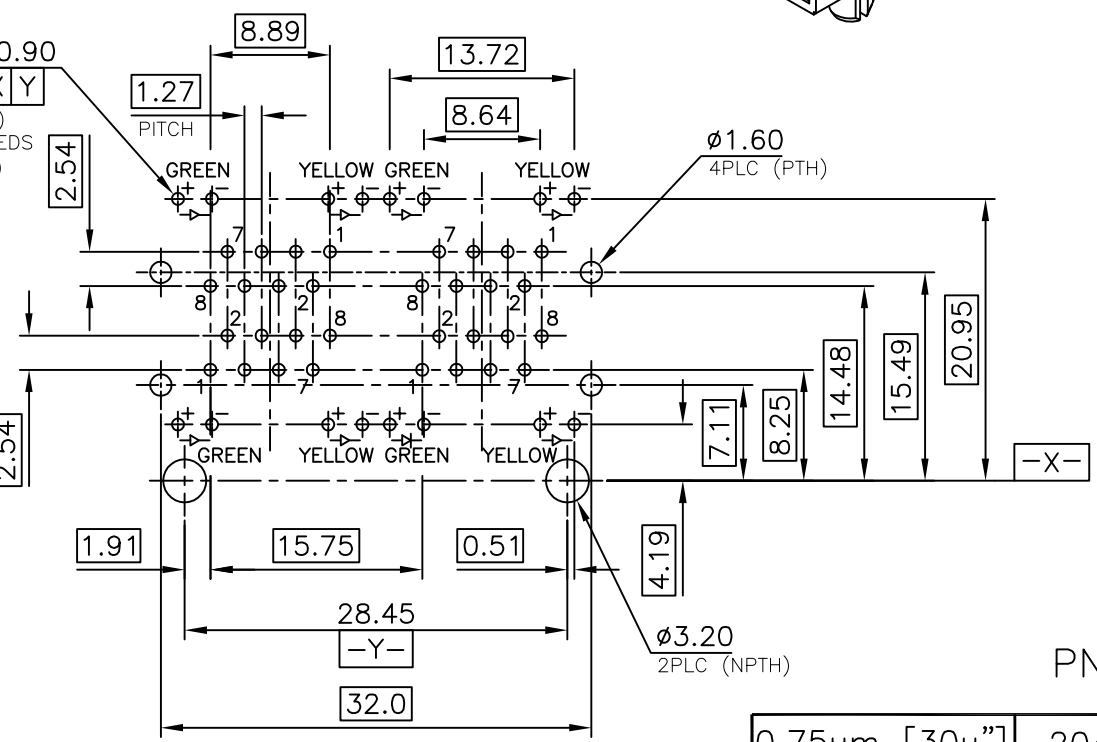
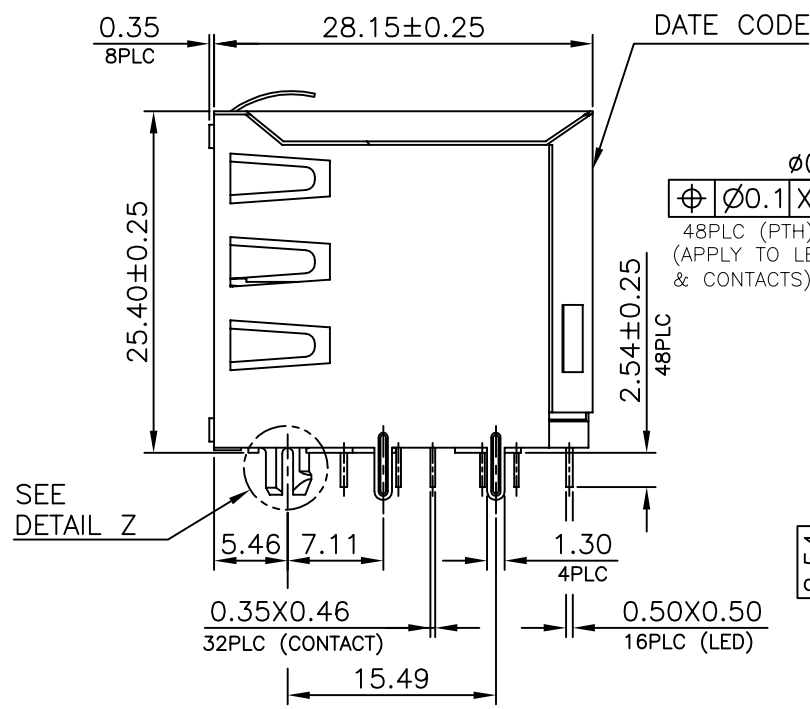
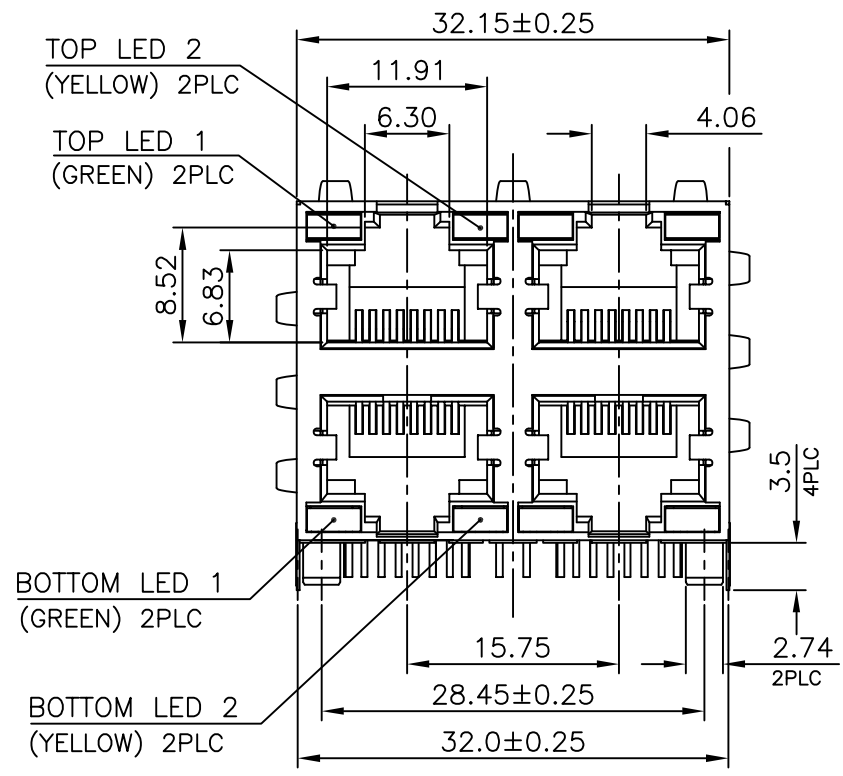
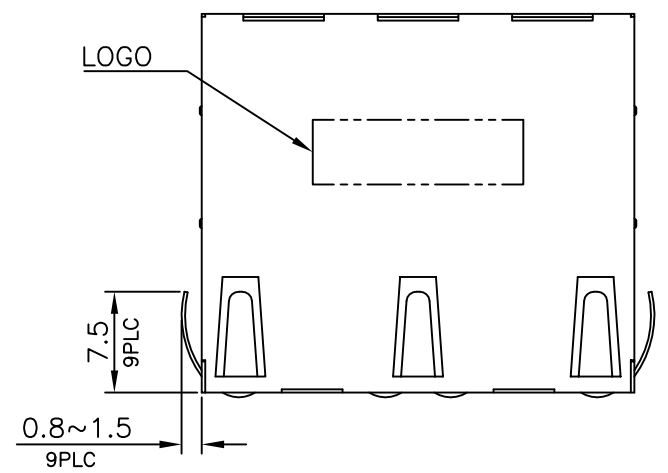
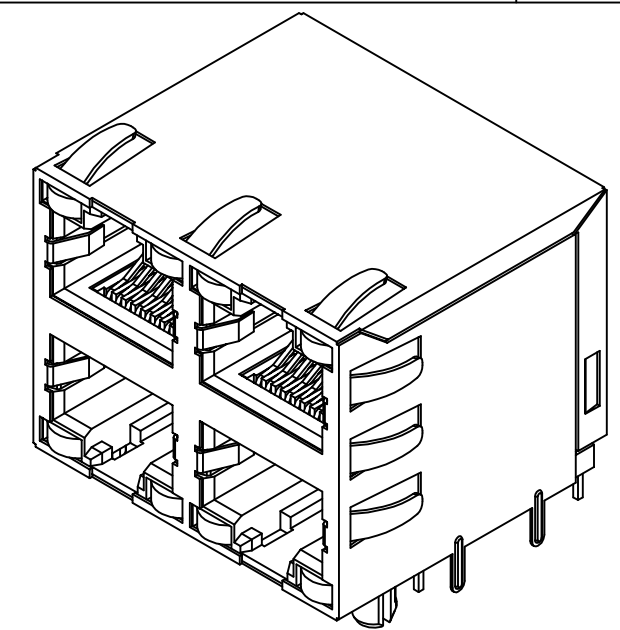
2

1

THIS DRAWING IS UNPUBLISHED. RELEASED FOR PUBLICATION  
 © COPYRIGHT 2010 BY TYCO ELECTRONICS CORPORATION. ALL RIGHTS RESERVED.

LOC	DIST	REVISIONS					
DW		P	LTR	REVISION RECORD	DATE	DWN	APVD
		B		ECO-13-010807	01JUL'13	C.W.	S.H.

- NOTE:
- MATERIAL:
    - HOUSING: PA46, WITH 30% GF, UL94 V-0, BLACK COLOR.
    - CONTACTS: PHOSPHOR BRONZE.
    - SHELL: BRASS.
    - LED SOLDER TAIL: STEEL.
  - FINISH:
    - CONTACTS: GOLD PLATING SPEC ON CONTACT AREA PLEASE REFER TO PN SHEET(B1), GOLD FLASH ON SOLDER TAIL, 1.27mm [50μ"] MIN. NICKEL UNDERPLATED OVERALL.
    - SHELL: 0.508mm [20μ"] MIN. NICKEL PLATED.
    - LED SOLDER TAIL: 2.54mm [100μ"] MIN. BRIGHT-TIN PLATED.
  - WAVE SOLDER CAPABLE TO 265°C PER TE SPEC. 109-202, CONDITION B.



RECOMMENDED PCB LAYOUT (THICKNESS: 1.6MM)  
 (DIMENSION TOLERANCE: 1 PLC: ±0.1, 2 PLC: ±0.05)

0.75um [30u"]	2041376-2
0.152um [6u"]	2041376-1
GOLD PLATING	PART NUMBER

THIS DRAWING IS A CONTROLLED DOCUMENT.		DWN	E. LIU	06JUL2011	TE Connectivity
		CHK	S. CHIEN	06JUL2011	
		APVD	W. KODAMA	06JUL2011	
		NAME			
DIMENSIONS: mm		PRODUCT SPEC			MODULAR JACK CONNECTOR RJ45 WITH LED, 2X2, SIDE ENTRY, SHIELDED DIP TYPE, H=25.4mm
TOLERANCES UNLESS OTHERWISE SPECIFIED:		APPLICATION SPEC			
0 PLC ± - 1 PLC ± 0.3 2 PLC ± 0.2 3 PLC ± 0.15 4 PLC ± - ANGLES ± 3°		108-57879			
MATERIAL SEE NOTE		FINISH SEE NOTE			SIZE A3 CAGE CODE 00779 DRAWING NO C=2041376 RESTRICTED TO
		WEIGHT 27.45 GRAMS			SCALE
		CUSTOMER DRAWING			SHEET 1 OF 2
					REV B

4

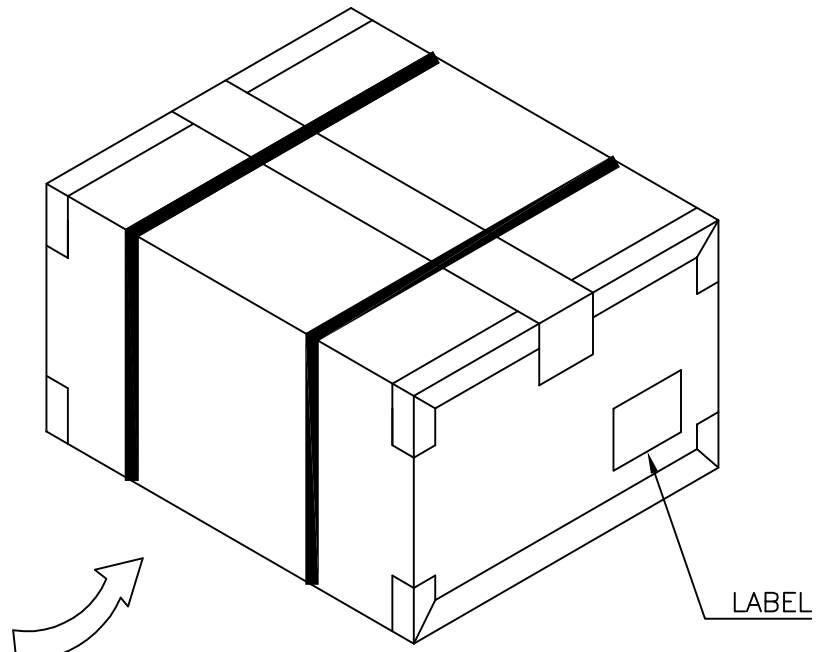
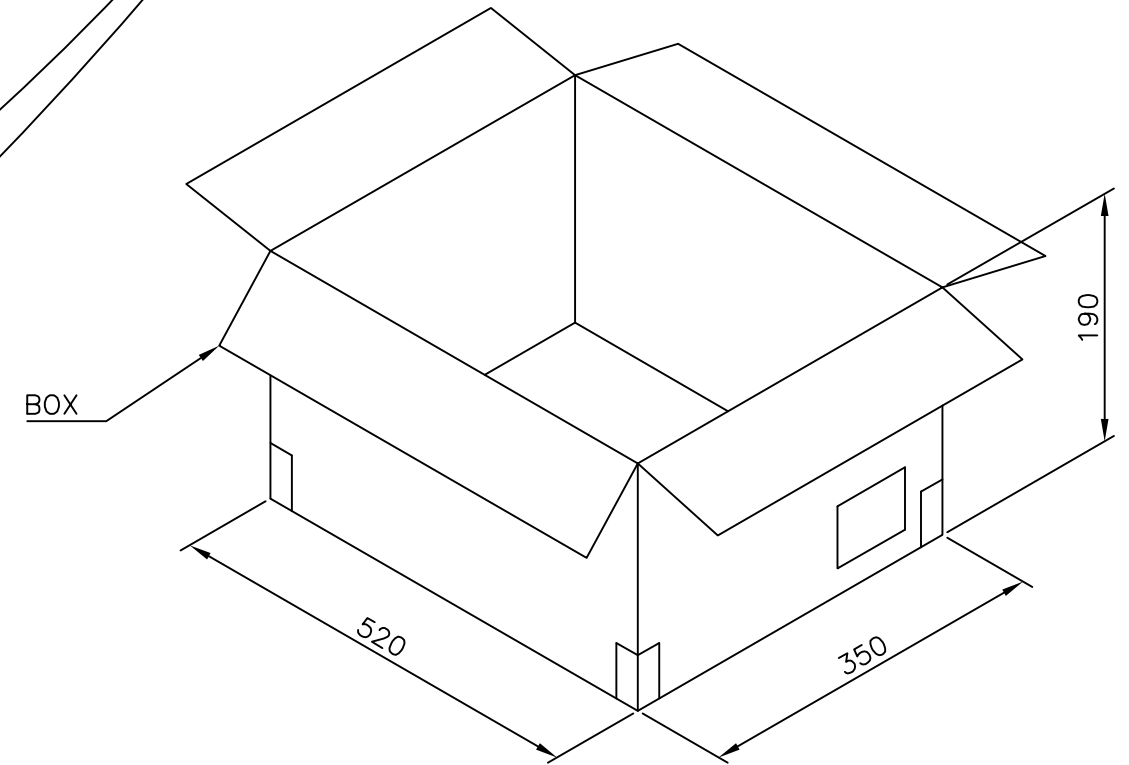
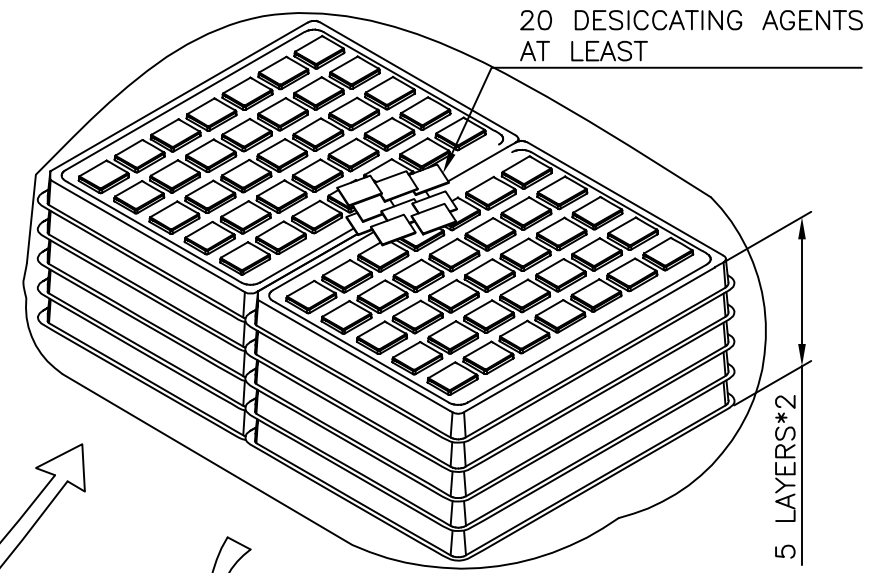
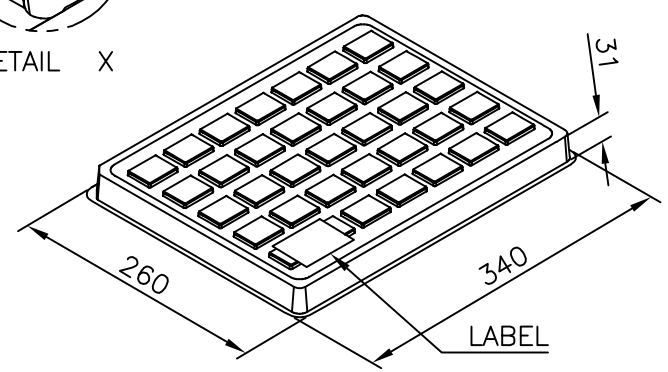
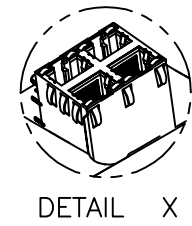
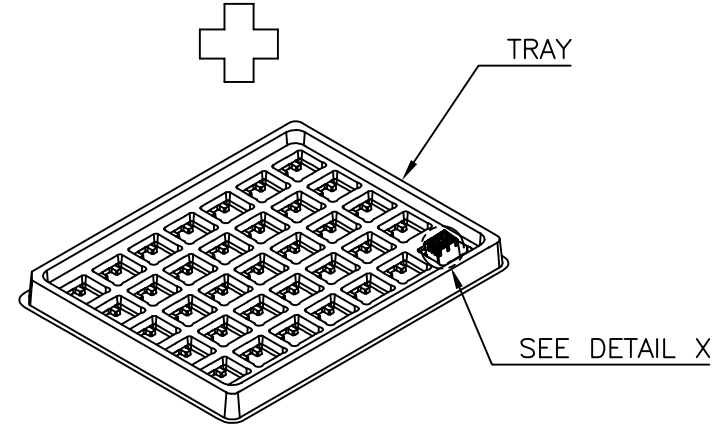
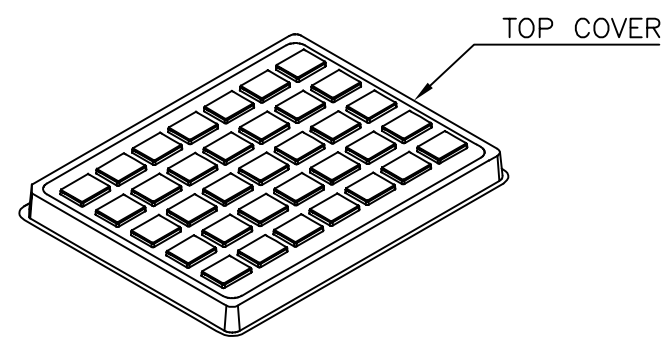
3

2

1

THIS DRAWING IS UNPUBLISHED. RELEASED FOR PUBLICATION  
 © COPYRIGHT 2010 BY TYCO ELECTRONICS CORPORATION. ALL RIGHTS RESERVED.

LOC	DIST	REVISIONS			
DW		P	LTR	REVISION RECORD	DATE
				SEE SHEET 1.	



1. MATERIAL:
  - 1.1 TRAY: PVC.
  - 1.2 BOX: CORRUGATED FIBER.
  - 1.3 BAG: PE.
2. DIMENSION: SEE DRAWING
3. QUANTITY: SEE TABLE
4. WEIGHT: SEE TABLE
5. EACH BAG SHALL BE INCLUDED:
  - \* DESICCANT

12.2 Kg	9.6 Kg	35	10	350
GROSS WEIGHT	NET WEIGHT	PCS/TRAY	TRAY/BOX	PCS/BOX

THIS DRAWING IS A CONTROLLED DOCUMENT.		DWN	TE Connectivity		
DIMENSIONS: mm		CHK	NAME		
TOLERANCES UNLESS OTHERWISE SPECIFIED:		APVD	MODULAR JACK CONNECTOR		
0 PLC ± -		PRODUCT SPEC	RJ45 WITH LED, 2X2, SIDE ENTRY, SHIELDED		
1 PLC ± 0.3		APPLICATION SPEC	DIP TYPE, H=25.4mm		
2 PLC ± 0.2		WEIGHT	SIZE	CAGE CODE	DRAWING NO
3 PLC ± 0.15		CUSTOMER DRAWING	A3	00779	C=2041376
4 PLC ± -		SCALE	RESTRICTED TO		REV
ANGLES ± 3'		SHEET	2 of 2		B
MATERIAL					
FINISH					