
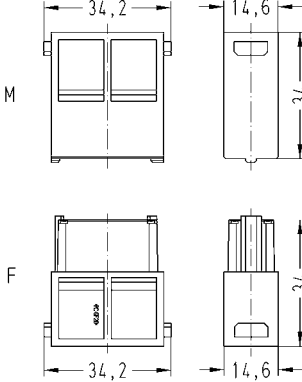
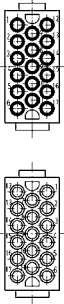

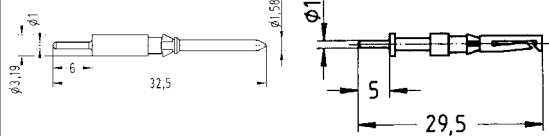

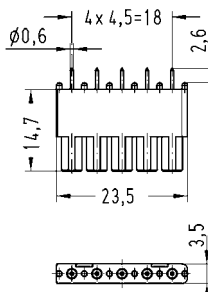


# PCB Adapter for Han® DDD module



## 5 pin PCB adapter

Identification	Part number		Drawing	Dimensions in mm
	Male insert (M)	Female insert (F)		
<b>Han® DDD module</b> PCB termination/ crimp termination Order crimp contacts separately 	09 14 017 3001	09 14 017 3101		 Contact arrangement view from termination side
<b>Han D® double contacts</b> to connect PCB adapter only for Han® DDD male module 	09 15 000 6197	09 15 000 6291		

Identification	PCB thickness	Part number	Drawing	Dimensions in mm
<b>PCB adapter 5 pins*</b> 	1.6 mm	09 16 000 9915		

\* For a 17 pin PCB termination with the Han® DDD module two 6 pin and one 5 pin PCB adapters are necessary.

# PCB Adapter for Han® DDD module



## Features

- Modular construction
- Robust design
- Suitable for standard Han® and EMC hoods and housings
- Low wiring costs

For further information and Han-Modular® frames please refer to chapter 06 (Han-Modular®) in the main catalogue Industrial Connectors Han®

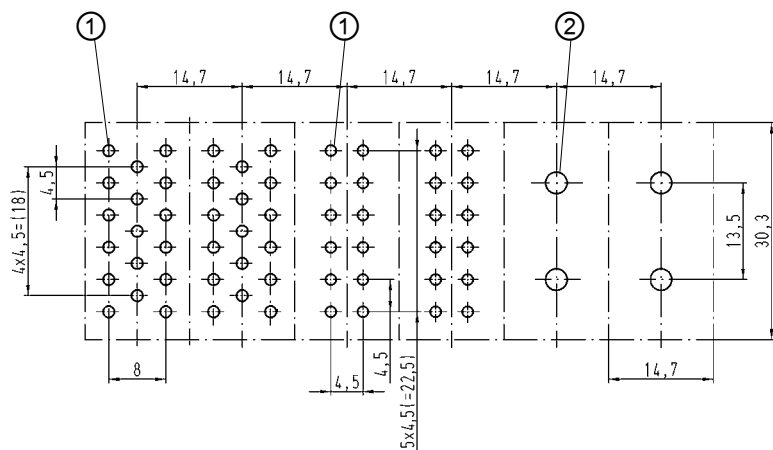
## Technical characteristics

Han® DDD module with PCB adapter

Electrical data	
acc. to DIN EN 61 984	<b>7.5 A 160 V 2.5 kV 3</b>
Rated current	7.5 A
Rated voltage	160 V
Rated impulse voltage	2.5 kV
Pollution degree	3
Wire gauge	0.14 ... 2.5 mm <sup>2</sup>

## Layout of PCB

Dimensions in mm

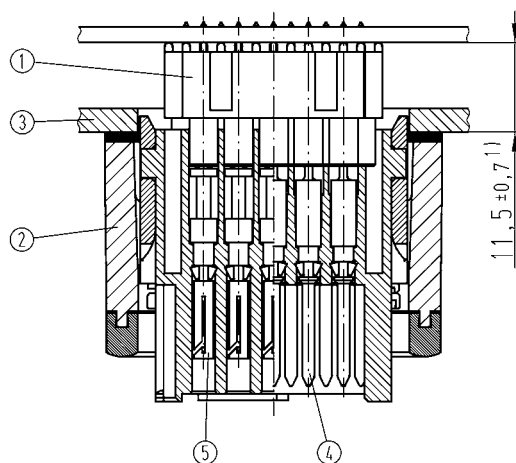


Han® DDD module   Han® DD module   Han® 70 A module

- ① Recommended hole diameter: 0.8 mm
- ② Recommended hole diameter: 3.2 mm

## Assembly situation

Dimensions in mm



- ① Han DDD® PCB adapter 5 pins
- ② Han® B bulkhead mounted housing
- ③ Switch board panel
- ④ Han D® double male contact, 09 15 000 6197
- ⑤ Han D® double female contact, 09 15 000 6291

<sup>1)</sup> for Han® B EMV hood and housing spacing of 12.5 ± 0.7 mm is necessary as no flange seal is used.



**HARTING Electric GmbH & Co. KG** | Wilhelm-Harting-Straße 1 | D-32339 Espelkamp

Fon: +49 577247-97100 | Fax: +49 577247-495

Internet: [www.HARTING.com](http://www.HARTING.com) | E-Mail: [Electric@HARTING.com](mailto:Electric@HARTING.com)

2012-03-27