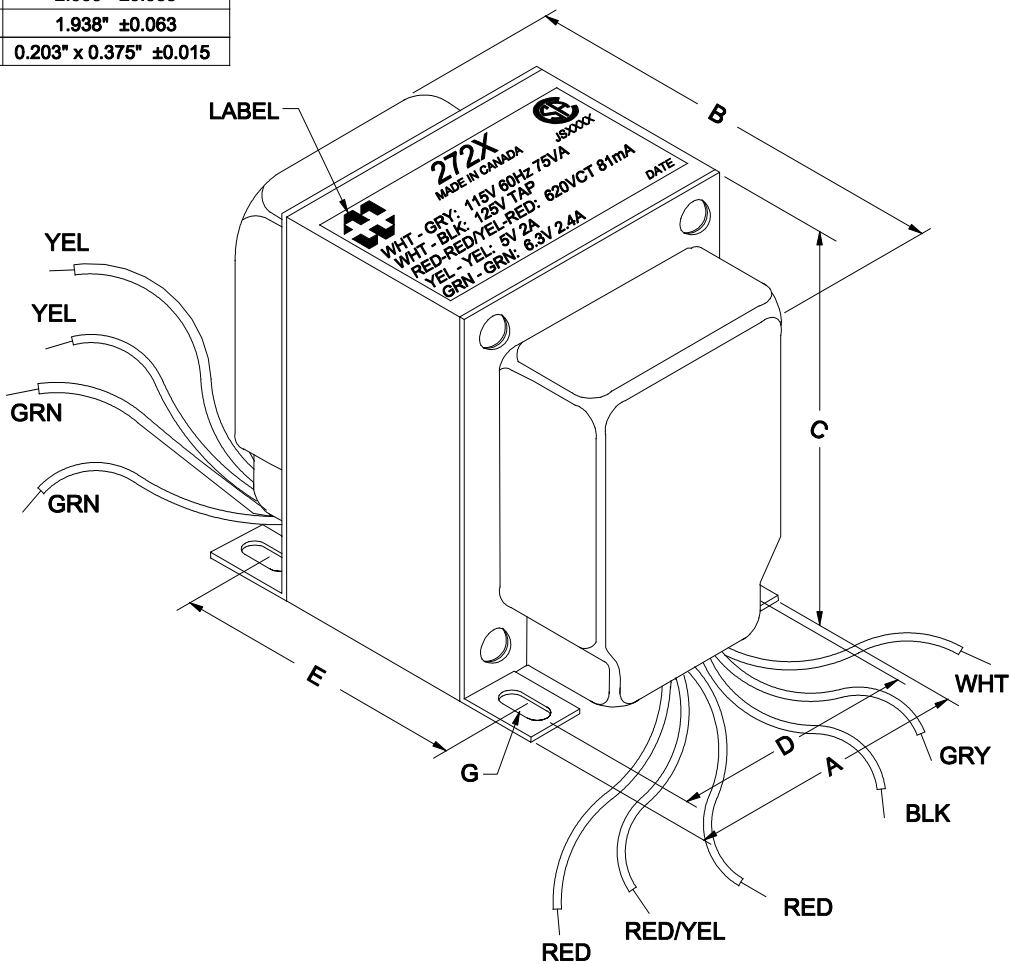
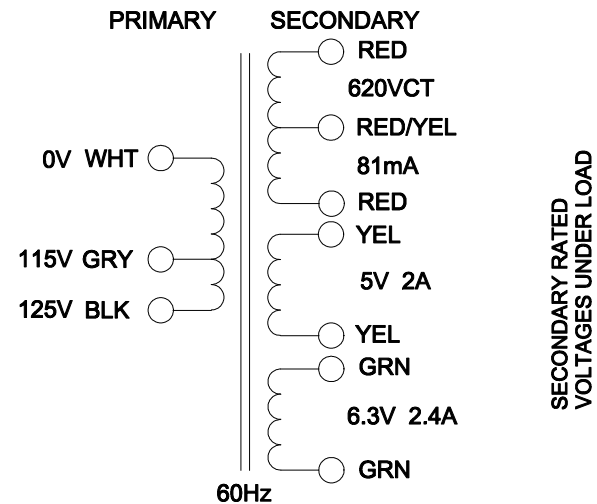


DIMENSIONS:	
A	2.500" ±0.063
B	3.000" ±0.125
C	3.060" ±0.063
D	2.000" ±0.063
E	1.938" ±0.063
G	0.203" x 0.375" ±0.015



NOTE: ALL LEADS 6" OUT MIN. STRIPPED 0.5"



ELECTRICAL DATA:		
TESTS	CONDITIONS	ACCEPTANCE CRITERIA
Iex	@ 125V, 60Hz, WHT - BLK	248.4mA Max.
Sec. N.L.V	@ 125V, 60Hz, WHT - BLK	
	RED - RED =	678.5V ±2%
	RED - RED/YEL = RED/YEL - RED =	339.2V ±2%
	YEL - YEL =	5.501V ±2%
	GRN - GRN =	7.029V ±2%
DCR	@ 20°C, WHT - BLK =	5.105 Ω ±20%
	@ 20°C, RED - RED =	173.4 Ω ±20%
	@ 20°C, YEL - YEL =	0.102 Ω ±20%
	@ 20°C, GRN - GRN =	0.138 Ω ±20%
HIPOT	PRIMARY - SECONDARY	2000V, 60Hz, 1 SEC

REV.#	REVISION	DATE	HAMMOND ELECTRONIC DIVISION	
0	RELEASED. C.I.	11/08/12	52 RANKIN PLACE, WATERLOO, ONTARIO, N2J 3Z5	
			PH # (519) 886-6181 FAX # (519) 886-9540	
			DWG. BY: C. ILIE	CHK'D BY:
			DATE: 11/08/12	APP'D. BY:
			DIMENSIONS: IN(X) MM( )	
			TITLE: POWER TRANSFORMER	DWG. NO. 272X