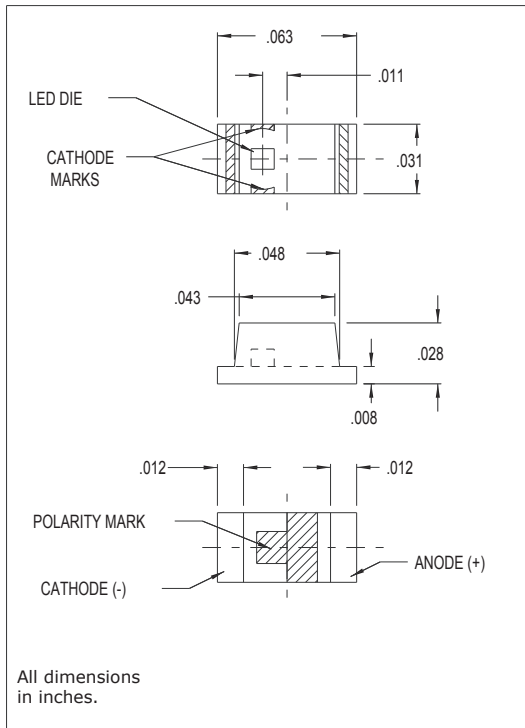


7017X Series Surface Mount LEDs 0603 Package Size

Description and Features



Surface Mount Technology

- Tape and reel packaged for high-speed autoinsertion.
- Convection and vapor-phase reflow compatible.
- Compact form enables high density placement.
- Packaged 4000 pieces per reel.

Leading Edge LED Optoelectronic Performance

- Consistent high brightness.

Exceptional Reliability

- Stringent process controls assure quality.
 - Extensive qualification testing to meet strictest requirements.
 - Designed to permit easy post-reflow solder joint inspection.
- Refer to "Solder Pad Geometry 1.pdf"

Electro-Optical Characteristics and Ratings

PART NUMBER	7017X21	7017X23	7017X3	7017X15	7017X13	7017X5	7017X1	7017X7	7017X33
Output Color	Red	Orange	Orange	Green	Yellow	Green	Red	Yellow/Green	Yellow
Diffusion	Diffused	Diffused	Diffused	Diffused	Diffused	Diffused	Diffused	Diffused	Diffused
Package Color	White	White	Clear	Clear	Clear	Clear	Clear	Clear	White
Test Current (mA)	20	20	20	20	20	20	20	20	20
Forward Voltage Typ. (V)	1.9	1.9	2.2	2.1	2.2	2.1	1.7	2.1	1.9
Forward Voltage Max. (V)	2.4	2.4	2.8	2.8	2.8	2.8	2.3	2.8	2.4
Luminous Intensity Min. (mcd)	16	16	2.0	1.4	2.0	3.8	7.0	7.0	16
Luminous Intensity Typ. (mcd)	50	65	3.4	2.4	3.4	6.4	11.7	11.7	65
Luminous Intensity Max. (mcd)	-	-	-	-	-	-	-	-	-
Peak Wavelength (nm)	630	609	605	555	580	560	660	570	592
Viewing Angle 2θ 1/2 (degrees)	70	70	70	70	70	70	70	70	70
Power Dissipation (mW)	81	81	70	70	70	70	57.5	70	81
Operating Temperature (°C)	-40 to +85	-40 to +85	-30 to +85	-30 to +85	-30 to +85	-30 to +85	-30 to +85	-30 to +85	-40 to +85
Storage Temperature (°C)	-40 to +100	-40 to +100	-40 to +100	-40 to +100	-40 to +100	-40 to +100	-40 to +100	-40 to +100	-40 to +100
Peak Forward Current Max. (1µs @ 10% duty cycle) (mA)	100	100	60	60	60	60	60	60	100
Reverse Voltage (IR=100µA) (V)	5	5	4	4	4	4	4	4	5
Lead Solder Time @ 260°C	5	5	5	5	5	5	5	5	5