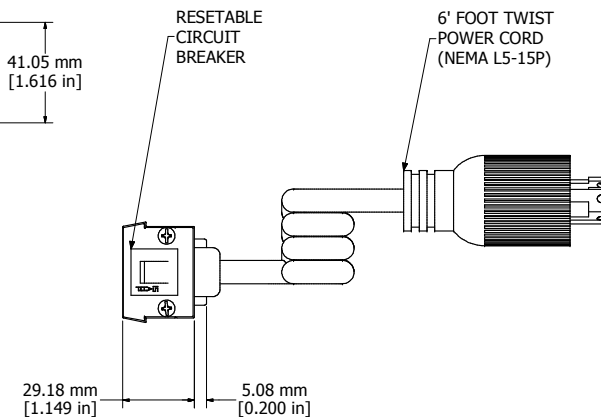
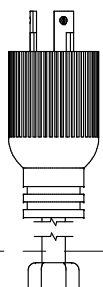


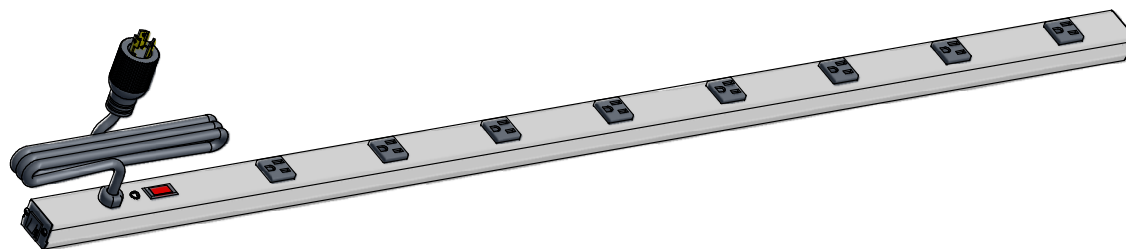
SECTION A-A  
(VIEW FROM FRONT)



ASSEMBLY - VIEW FROM END



ASSEMBLY - VIEW FROM SIDE



ISOMETRIC VIEW

|   |
|---|
| <b>1585T8C1</b>   |
| Finish - Case - Anodized Aluminum Extrusion   |
| Ends - ABS Plastic  |
| Rated - 125 VAC, 60 Hz, 15 Amps   |
| Approvals - CSA Certified Standards C22.2 (No. 21-95, 42-99)<br>- UL Listed Standard UL1363 |
| <b>Cord Length</b>  |
| 1585T8C1 - 6' Foot Twist Power Cord (NEMA L5-15P)   |
| 1585T8D1 - 15' Foot Twist Power Cord (NEMA L5-15P)  |
| <b>Accessories Included</b>   |
| Mounting Bracket Kit with Hardware  |



**HAMMOND  
MANUFACTURING™**

**1585T8C1**

www.hammondmfg.com