

27 MHz Clock Generator with VCXO

Features

- Generates 27 MHz Output Clock
- Uses 27 MHz LVCMOS Reference Clock
- LVCMOS Output
- VCXO with 230 ppm Minimum Pull Range
- Fully Integrated Low Noise Phase Locked Loop (PLL)
- Linear Voltage-to-Frequency Control Curve
- Supply Voltage: 3.3V
- Pb-free 16-Pin TSSOP Package

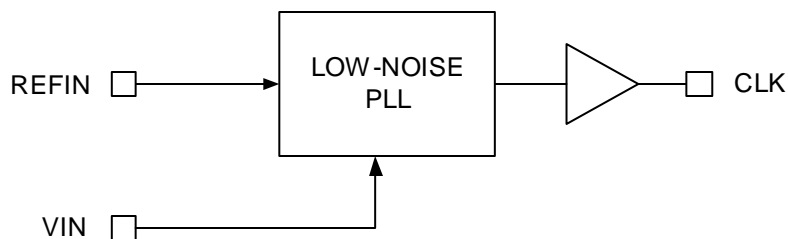
Description

The CY2VC511 is a PLL based clock generator with VCXO control. It takes a low swing 27 MHz reference clock, and generates an adjustable 27 MHz output clock. The device has a single LVCMOS output and operates from a 3.3V power supply.

The VIN pin is an analog input that enables the user to pull the output frequency. The pullability range is at least 230 ppm (± 115 ppm). The pull curve is very linear.

Unlike conventional VCXO designs, the output frequency adjustment is achieved by a proprietary PLL design. This permits the use of 27 MHz clock reference.

Logic Block Diagram



Pinout

Figure 1. Pin Diagram - 16-Pin TSSOP

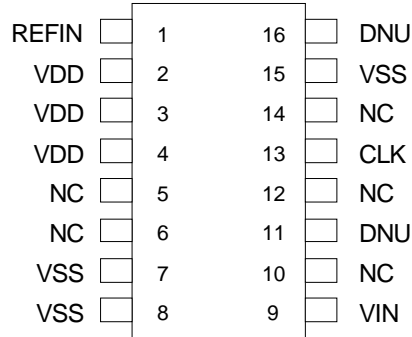


Table 1. Pin Definitions - 16-Pin TSSOP

Pin	Name	Type	Description
1	REFIN	1.8V CMOS Input	Reference Clock Input
9	VIN	Analog Input	VCXO Control Voltage - VIN has a positive control slope; that is, increasing the voltage on VIN causes the output frequency to increase The nominal output frequency is determined when VIN = 1.65V
13	CLK	CMOS Output	27 MHz Output Clock
11, 16	DNU	–	Do Not Use: DNU pins are electrically connected, but perform no function
5, 6, 10, 12, 14	NC	–	No Connect: NC pins are not connected to the die
2, 3, 4	VDD	Power	Supply Voltage: 3.3V
7, 8, 15	VSS	Power	Ground

Frequency Table

Input		Output Frequency (MHz)
Reference Frequency (MHz)	PLL Multiplier Value	
27	1	27

VCXO and VIN

The output frequency of the device is adjusted over a limited range by use of the VCXO feature. This feature is typically used to phase and frequency lock to a separate reference clock. The frequency is controlled by the analog voltage on the VIN pin. The nominal output frequency is generated when VIN = 1.65V. As the voltage on VIN is increased, the output frequency increases. The voltage range for VIN is from 0V (V_{SS}) to V_{DD}. The relationship between output frequency (ppm) to VIN voltage is very linear over a large portion of the control voltage range.

Application Information

Power Supply Filtering Techniques

As in any high speed analog circuitry, noise on the power supply pins can degrade device performance. For general power plane decoupling, make certain there is at least one tantalum capacitor (~5 to 10 μF) in the general vicinity of this device. Additionally, ensure there is one or two multi-layer ceramic chip capacitors (0.01 or 0.1 μF) located as close as possible to the power and ground pins of the device. Ensure the layout is optimized to minimize power and ground inductance and locate the capacitor as close to the device pins as possible.

Absolute Maximum Conditions

Parameter	Description	Condition	Min	Max	Unit
V _{DD}	Supply Voltage		-0.5	4.4	V
V _{IN} ^[1]	Input Voltage, DC	Relative to V _{SS}	-0.5	V _{DD} + 0.5	V
T _S	Temperature, Storage	Non operating	-65	150	°C
T _J	Temperature, Junction		-	125	°C
ESD _{HBM}	ESD Protection (Human Body Model)	JEDEC STD 22-A114-B	2000	-	V
UL-94	Flammability Rating	At 1/8 in	V-0		
Θ _{JA} ^[2]	Thermal Resistance, Junction to Ambient	0 m/s airflow	84		°C/W
		1 m/s airflow	79		
		2.5 m/s airflow	76		

Operating Conditions

Parameter	Description	Min	Typ	Max	Unit
V _{DD}	Supply Voltage Range	3.135	3.3	3.465	V
T _A	Ambient Temperature	0	-	70	°C
T _{PU}	Power up time for V _{DD} to reach minimum specified voltage (ensure power ramp is monotonic)	0.05	-	500	ms
C _{LOAD}	Load Capacitance on CLK output	-	-	15	pF

Notes

1. The voltage on any input or output pin cannot exceed the power pin during power up.
2. Simulated using Apache Sentinel TI software. The board is derived from the JEDEC multilayer standard. It measures 76 x 114 x 1.6 mm and has 4-layers of copper (2/1/1/2 oz.). The internal layers are 100% copper planes, while the top and bottom layers have 50% metalization. No vias are included in the model.

DC Electrical Characteristics

Parameter	Description	Condition	Min	Typ	Max	Unit
I _{DD}	Operating Supply Current	V _{DD} = 3.465V, output unloaded	–	–	110	mA
V _{OH}	High Output Voltage	V _{DD} = min, I _{OH} = –4 mA	0.9*V _{DD}	–	–	V
V _{OL}	Low Output Voltage	V _{DD} = max, I _{OL} = 4 mA	–	–	0.1*V _{DD}	V
V _{IH}	Input High Voltage	For REFIN	1.25	–	1.8	V
V _{IL}	Input Low Voltage	For REFIN	–	–	0.25	V
V _{VIN}	VIN Input Voltage		0	–	V _{DD}	V
I _{VIN}	VIN Input Current	V _{SS} ≤ VIN ≤ V _{DD}	–10	–	60	μA
INL _{VIN} ^[3, 4]	VIN to F _{OUT} Integral Nonlinearity	V _{SS} ≤ VIN ≤ V _{DD}	–	1	–	%

AC Electrical Characteristics ^[3]

Parameter	Description	Test Conditions	Min	Typ	Max	Unit
F _{OUT}	Output Frequency		–	27	–	MHz
PR	Pull Range	VIN = V _{DD} to V _{SS} , relative to nominal f _{OUT} (VIN = 1.65V) across operating temperature and supply voltage.	±115	–	–	ppm
T _{DC}	Duty Cycle	Measured at V _{DD} /2, defined in Figure 2	45	50	55	%
T _R	Output Rise Time	20% to 80% of V _{DD} , C _{LOAD} = 15 pF	–	0.7	1.5	ns
T _F	Output Fall Time	80% to 20% of V _{DD} , C _{LOAD} = 15 pF	–	0.8	1.5	ns
T _{LOCK}	Start Up Time	Time for CLK to reach valid frequency measured from the time V _{DD} = V _{DD} (min)	–	–	5	ms

Parameter Measurements

Figure 2. Output Duty Cycle Timing

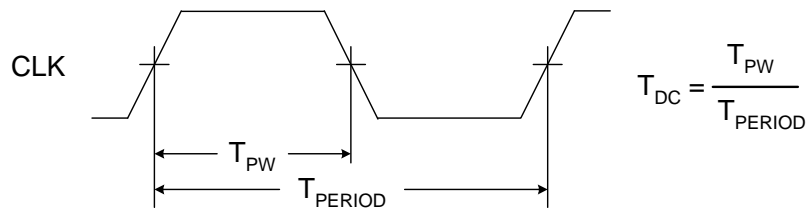
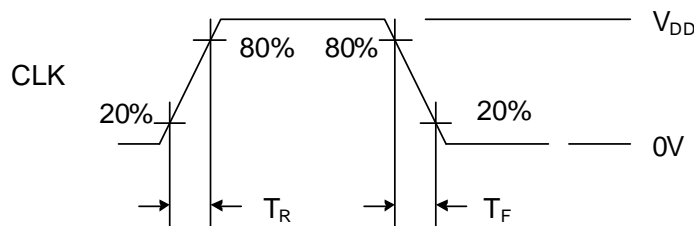


Figure 3. Output Rise and Fall Time



Note

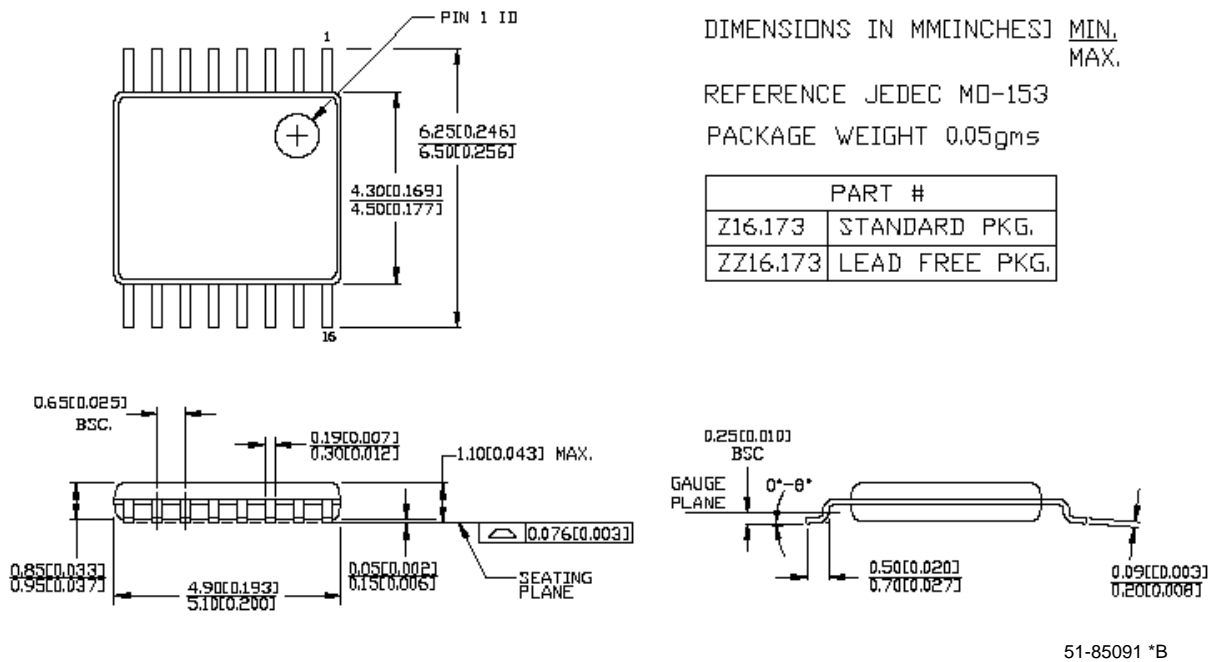
- 3. Not 100% tested, guaranteed by design and characterization.
- 4. Integral nonlinearity is defined in IEEE Standard 1241-2000.

Ordering Information

Part Number	Package Description	Product Flow
Pb-Free		
CY2VC511ZXC	16-Pin TSSOP	Commercial, 0° to 70°C
CY2VC511ZXCT	16-Pin TSSOP - Tape and Reel	Commercial, 0° to 70°C

Package Drawings and Dimensions

Figure 4. 16-Pin TSSOP 4.40 mm Body



Document History Page

Document Title: CY2VC511 27 MHz Clock Generator with VCXO Document Number: 001-10796				
Rev.	ECN No.	Orig. of Change	Submission Date	Description of Change
**	506248	RGL	See ECN	New data sheet
*A	1285703	JWK/KVM/ ARI	See ECN	Changed definition of nominal frequency to VIN = 1.65V Added C _{LOAD} specification Changed R _{UP} value Corrected T _R /T _F conditions and specification Removed pull down resistor on SEL Updated several drawings Edited data sheet for template compliance
*B	2705638	XHT/KVM/ AESA	05/13/2009	Changed title from Low Noise Clock Generator with VCXO to 27 MHz Clock Generator with VCXO, Basic configuration change: Reference changed from crystal to driven clock, Output changed from 216 MHz to 27 MHz, Pinout changed to show no connects, Pin 11 changed to DNU, V _{DD} range changed from ±0.2V to ±5%, Thermal resistance data added, IOL & IOH changed from 2mA to 4mA Phase noise specs removed, I _{IVIN} changed from 10µA to 60µA, Rise & fall times changed, IDD changed
*C	2768029	KVM	09/18/2009	Remove reference to OE/PD# pin in I _{DD} spec Change parameter name I _{IVIN} to I _{VIN} Change parameter LIN to INL _{VIN} , add note to definition Add max limit for T _R , T _F : 1.5 ns Change T _{LOCK} max from 10 ms to 5 ms
*D	2905106	KVM	05/14/10	Updated package diagram.

Sales, Solutions, and Legal Information

Worldwide Sales and Design Support

Cypress maintains a worldwide network of offices, solution centers, manufacturer's representatives, and distributors. To find the office closest to you, visit us at [Cypress Locations](#).

Products

Automotive	cypress.com/go/automotive
Clocks & Buffers	cypress.com/go/clocks
Interface	cypress.com/go/interface
Lighting & Power Control	cypress.com/go/powerpsoc cypress.com/go/plc
Memory	cypress.com/go/memory
Optical & Image Sensing	cypress.com/go/image
PSoC	cypress.com/go/psoc
Touch Sensing	cypress.com/go/touch
USB Controllers	cypress.com/go/USB
Wireless/RF	cypress.com/go/wireless

PSoC Solutions

psoc.cypress.com/solutions
PSoC 1 | PSoC 3 | PSoC 5

© Cypress Semiconductor Corporation, 2007-2010. The information contained herein is subject to change without notice. Cypress Semiconductor Corporation assumes no responsibility for the use of any circuitry other than circuitry embodied in a Cypress product. Nor does it convey or imply any license under patent or other rights. Cypress products are not warranted nor intended to be used for medical, life support, life saving, critical control or safety applications, unless pursuant to an express written agreement with Cypress. Furthermore, Cypress does not authorize its products for use as critical components in life-support systems where a malfunction or failure may reasonably be expected to result in significant injury to the user. The inclusion of Cypress products in life-support systems application implies that the manufacturer assumes all risk of such use and in doing so indemnifies Cypress against all charges.

Any Source Code (software and/or firmware) is owned by Cypress Semiconductor Corporation (Cypress) and is protected by and subject to worldwide patent protection (United States and foreign), United States copyright laws and international treaty provisions. Cypress hereby grants to licensee a personal, non-exclusive, non-transferable license to copy, use, modify, create derivative works of, and compile the Cypress Source Code and derivative works for the sole purpose of creating custom software and or firmware in support of licensee product to be used only in conjunction with a Cypress integrated circuit as specified in the applicable agreement. Any reproduction, modification, translation, compilation, or representation of this Source Code except as specified above is prohibited without the express written permission of Cypress.

Disclaimer: CYPRESS MAKES NO WARRANTY OF ANY KIND, EXPRESS OR IMPLIED, WITH REGARD TO THIS MATERIAL, INCLUDING, BUT NOT LIMITED TO, THE IMPLIED WARRANTIES OF MERCHANTABILITY AND FITNESS FOR A PARTICULAR PURPOSE. Cypress reserves the right to make changes without further notice to the materials described herein. Cypress does not assume any liability arising out of the application or use of any product or circuit described herein. Cypress does not authorize its products for use as critical components in life-support systems where a malfunction or failure may reasonably be expected to result in significant injury to the user. The inclusion of Cypress' product in a life-support systems application implies that the manufacturer assumes all risk of such use and in doing so indemnifies Cypress against all charges.

Use may be limited by and subject to the applicable Cypress software license agreement.