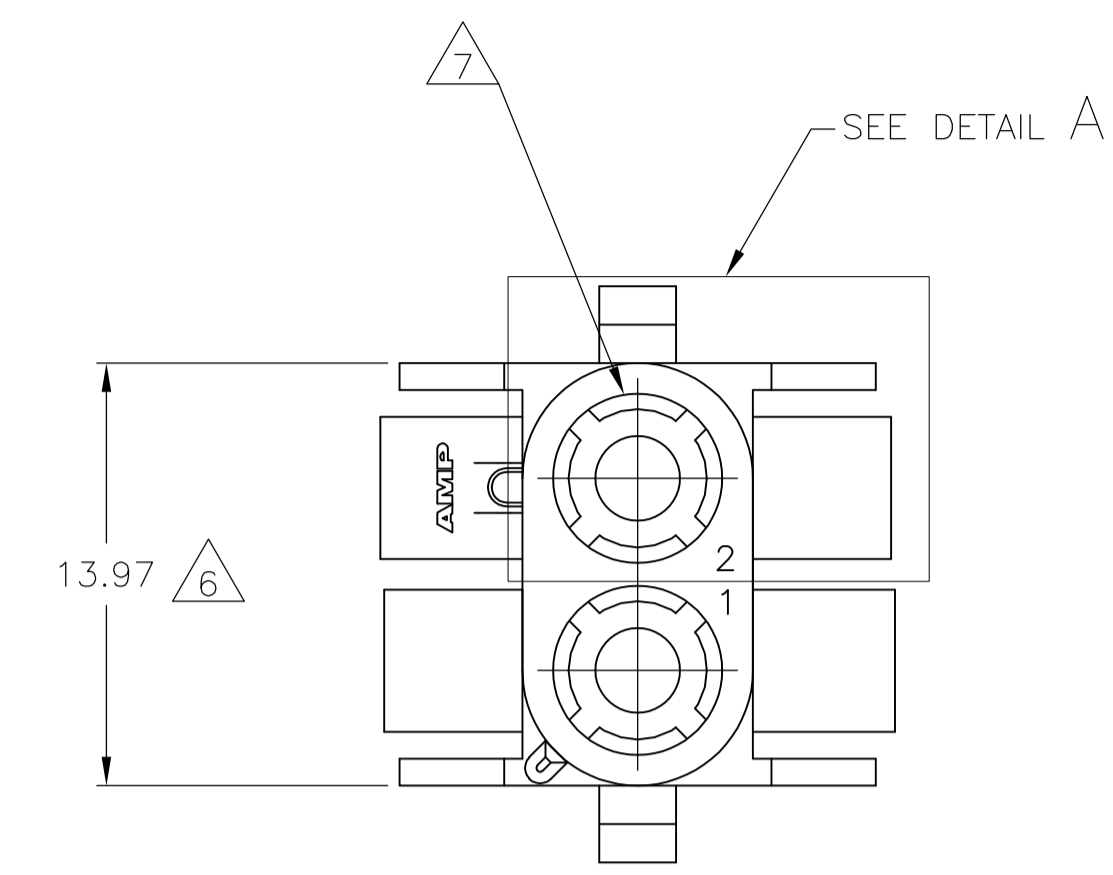
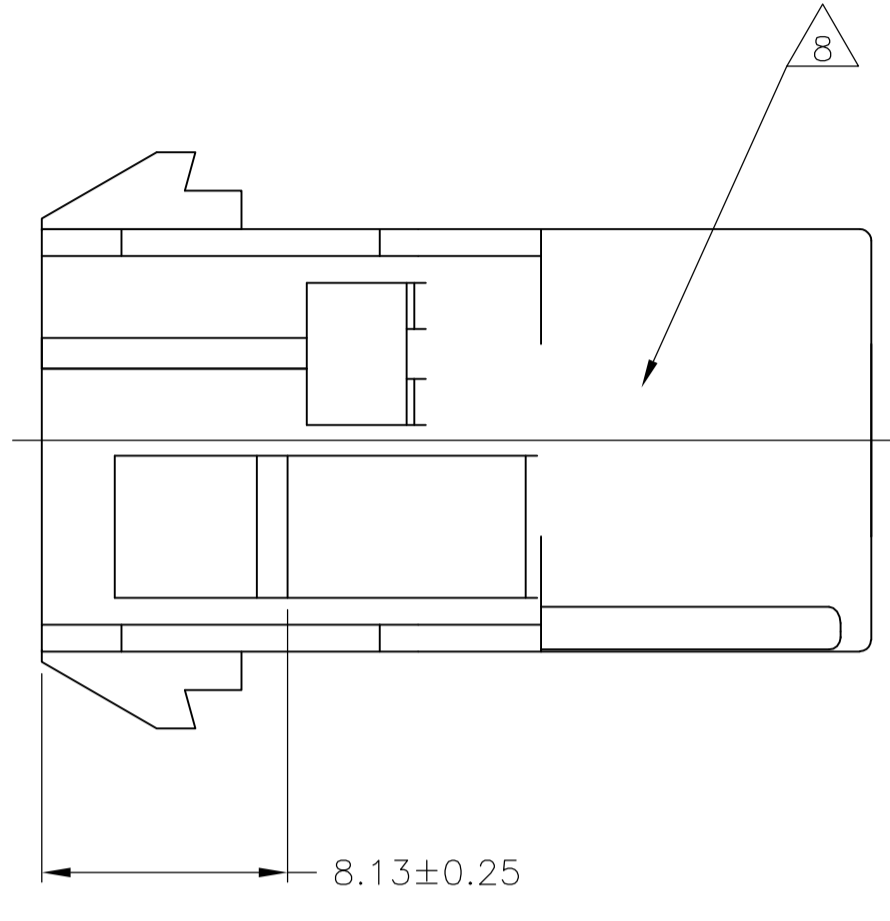
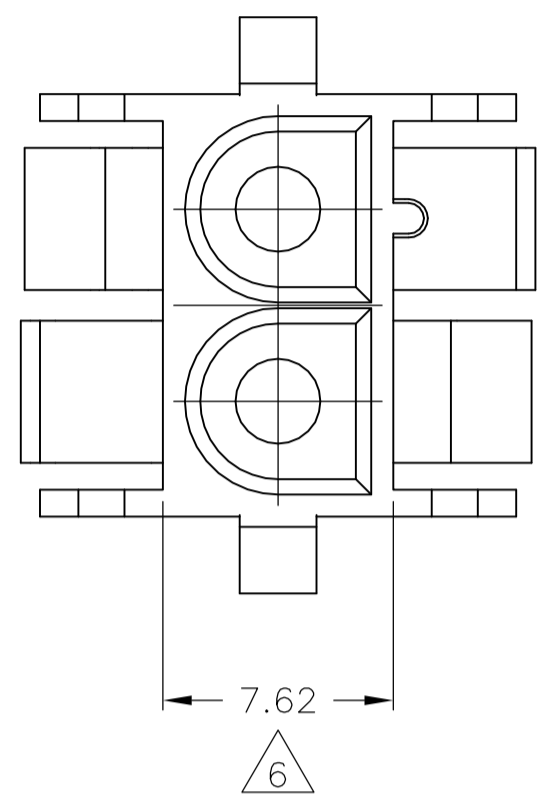
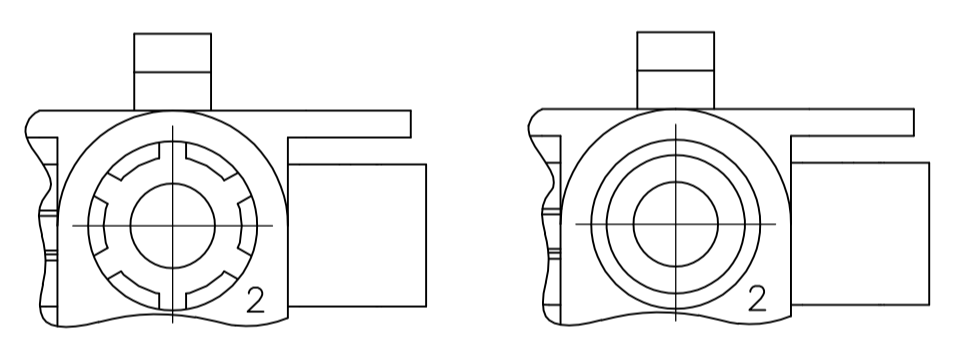


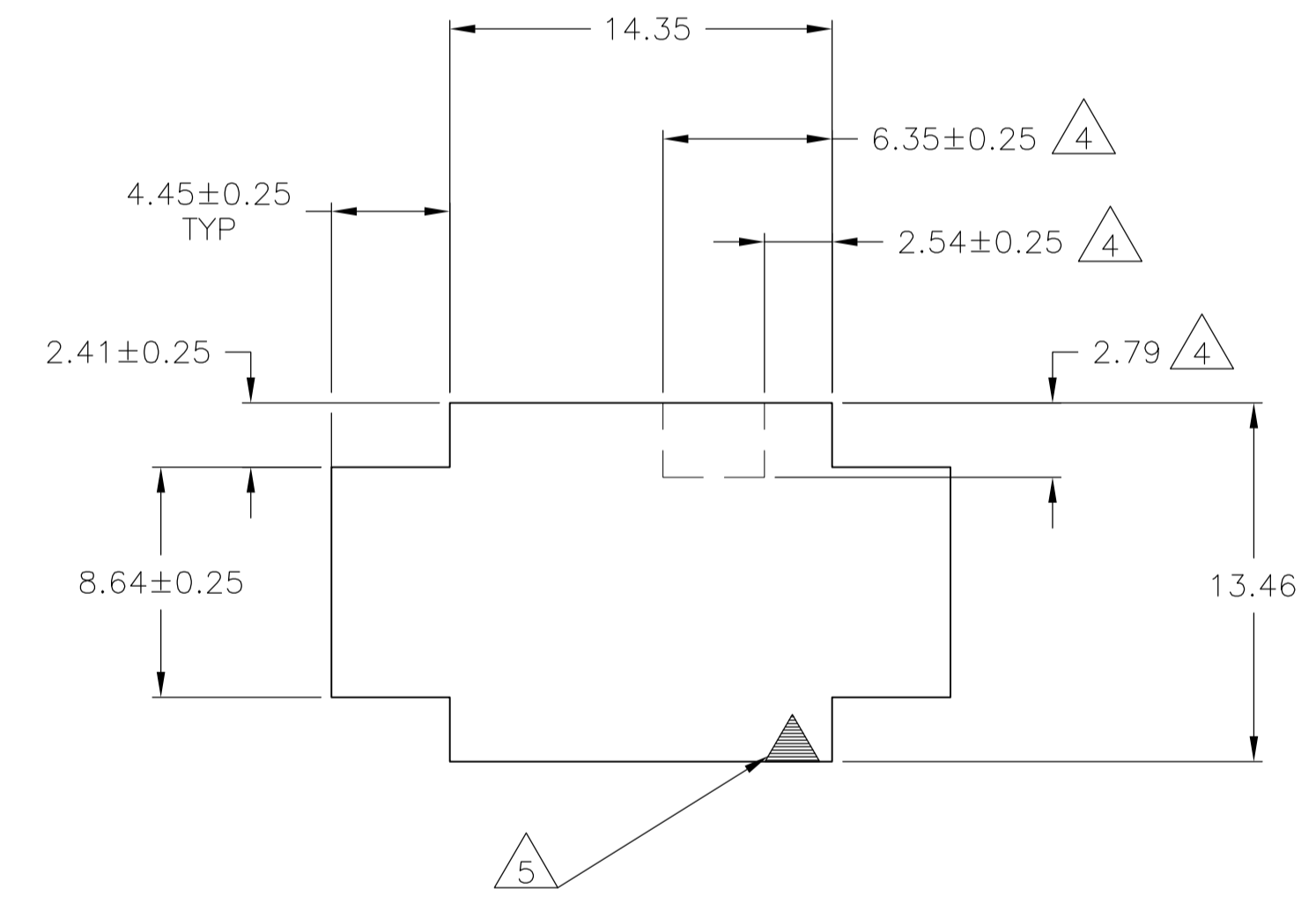
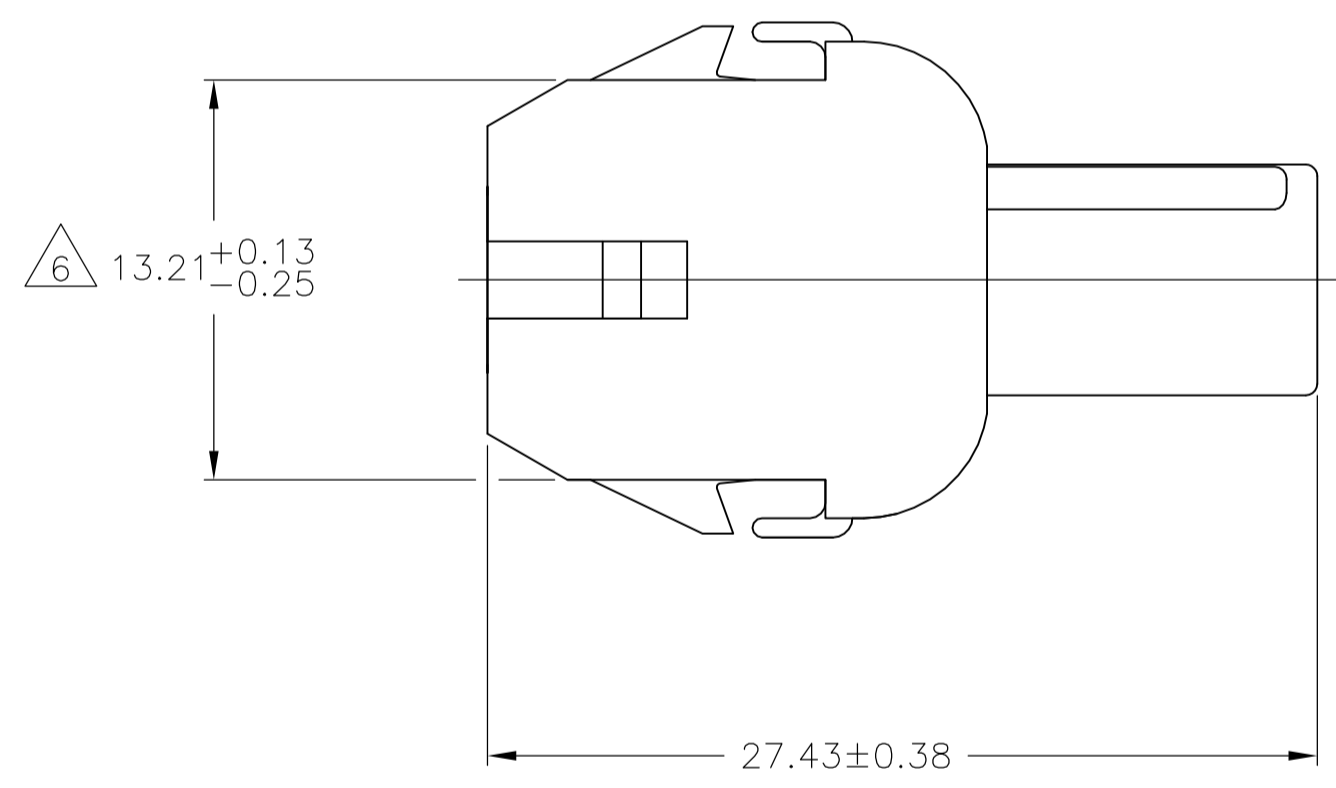
LOC		DIST		REVISIONS			
CM	53	REV	DATE	DESCRIPTION	DATE	BY	APP'D
		V2	11MAR11	REVISED PER ECO-11-004587		RK	HMR



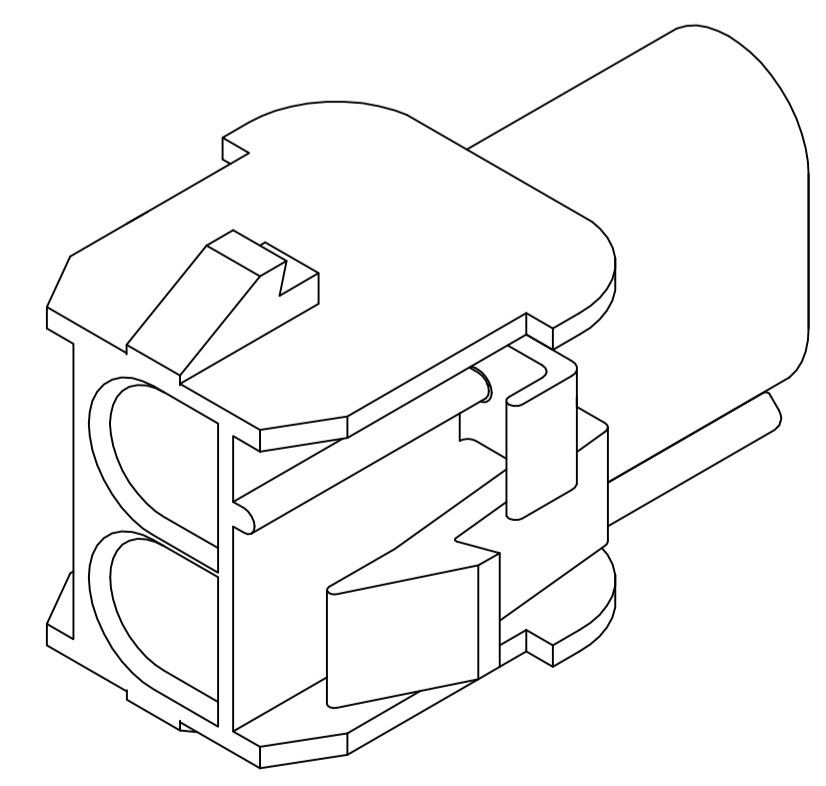
1. MATES WITH APPROPRIATE UNIVERSAL MATE-N-LOK™ PLUG.
 2. RECOMMENDED PANEL THICKNESS 0.76 - 2.29.
 3. PANEL MUST BE PUNCHED SO THAT THE HOUSING ENTERS THE PANEL IN THE SAME DIRECTION AS THE PUNCH.
- 4. OPTIONAL FOR KEYING HOUSING IN PANEL.
 - 5. CIRCUIT NUMBER 1 LOCATION.
 - 6. DIMENSION INDICATED IS AS MOLDED. ADDITIONAL GROWTH DUE TO SUBSEQUENT MOISTURE ABSORPTION MAY OCCUR.
 - 7. FOUR RIBS EQUALLY SPACED, NO SPECIFIC ORIENTATION. NO RIBS OR SIX RIBS EQUALLY SPACED, NO SPECIFIC ORIENTATION, OPTIONAL.
 - 8. UNDERWRITERS RECOGNIZED COMPONENT LOGO AND CSA CERTIFICATION LOGO TO BE LOCATED ONCE EACH ON SIDE OF HOUSING.



DETAIL A
OPTIONAL CONSTRUCTIONS



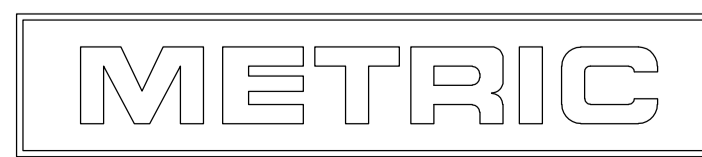
RECOMMENDED PANEL CUT OUT



3-DIMENSIONAL MODEL
NTS

MM	IN	MM	IN
4.45	.175	27.43	1.080
2.79	.110	14.35	.565
2.54	.100	13.97	.550
2.41	.095	13.46	.530
2.29	.090	13.21	.520
0.76	.030	8.64	.340
0.38	.015	8.13	.320
0.25	.010	7.62	.300
0.13	.005	6.35	.250
MM	IN	MM	IN

CONVERSION TABLE



BLACK	1-350778-9
GRAY	1-350778-8
BLUE	1-350778-6
GREEN	1-350778-5
YELLOW	1-350778-4
ORANGE	1-350778-3
RED	1-350778-2
BROWN	1-350778-1
NATURAL	350778-1
COLOR	PART NO

THIS DRAWING IS A CONTROLLED DOCUMENT.

DIMENSIONS:	TOLERANCES UNLESS OTHERWISE SPECIFIED:	DWG	K. WHITAKER	24JUL92
mm	0. PLC ± -	CHK	R. SWING	24JUL92
	1. PLC ± 0.13	APP'D	D. SELF	27JUL92
	2. PLC ± -	NAME	CAP.2 CIRCUIT, UNIVERSAL MATE-N-LOK™	
	3. PLC ± -	PRODUCT SPEC		
	4. PLC ± -	APPLICATION SPEC		
	ANGLES ± 1°	FINISH		
MATERIAL	NYLON,UL 94V-0	WEIGHT	A1 00779C=350778	
CUSTOMER DRAWING		SCALE	4:1	SHEET 1 OF 1
		REV	V2	

STE TE Connectivity