

NOTE:

REFERENCE STANDARD IEC60169-4

1. ELECTRIC PERFORMANCE
- NOMINAL IMPEDANCE ( $\Omega$ ) : 50
  - FREQUENCY RANGE : DC-6 GHz
  - VSWR :  $\leq 1.10$
  - PIM(dBm): :  $\leq -160$  (2 X 43 dBm)
  - INSERTION LOSS :  $\leq 0.05$
  - INSULATION RESISTANCE ( $M\Omega$ ) :  $>10000$
  - PROOF VOLTAGE (V) : 1500
  - CONDUCTOR RESISTANCE ( $m\Omega$ ) : OUTER CONDUCTOR  $<0.2$   
INNER CONDUCTOR  $<0.8$

- II. MECHANICAL PERFORMANCE
- RETENTION :  $\geq 5.88N$
  - MECHANICAL WEAR(HYPO-) : 500
  - TENSILE FORCE (CABLE-CONNECTOR) : 150N
  - TORSION (CABLE-CONNECTOR) : 0.3N.m

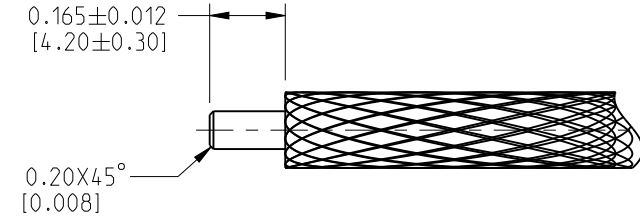
- III. MATERIAL AND PLATING
- INNER CONDUCTOR : SPRING COPPER PLATING  $Ag5\mu m$
  - OUTER CONDUCTOR : BRASS PLATING COPPER-TIN-ZINC  $2\mu m$
  - NUT : BRASS PLATING COPPER-TIN-ZINC  $2\mu m$
  - O-RING : SILICONE RUBBER
  - INSULATOR : PTFE

- IV. ENVIRONMENT
- TEMP RANGE :  $-55^{\circ}C$  TO  $+155^{\circ}C$
  - WEATHER STANDARD : IEC 60068 55/155/56
  - THERMAL SHOCK : US MIL-STD 202.METH.107.COND.B
  - VIBRATION : US MIL-STD 202.METH.204.COND.B
  - SHOCK : US MIL-STD 202.METH.213.COND.I

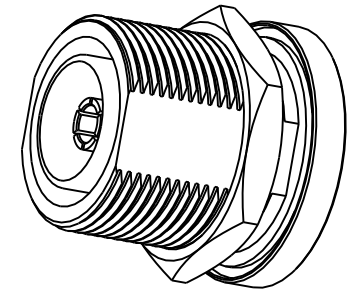
V. ASSEMBLY : INNER AND OUTER CONDUCTOR SOLDERED

VI. ROHS COMPLIANT.

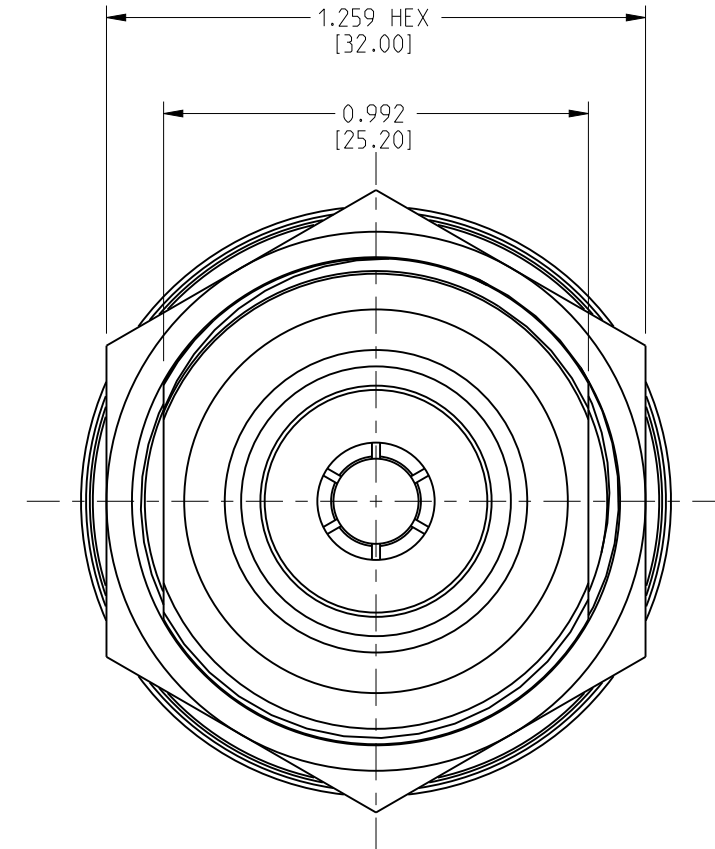
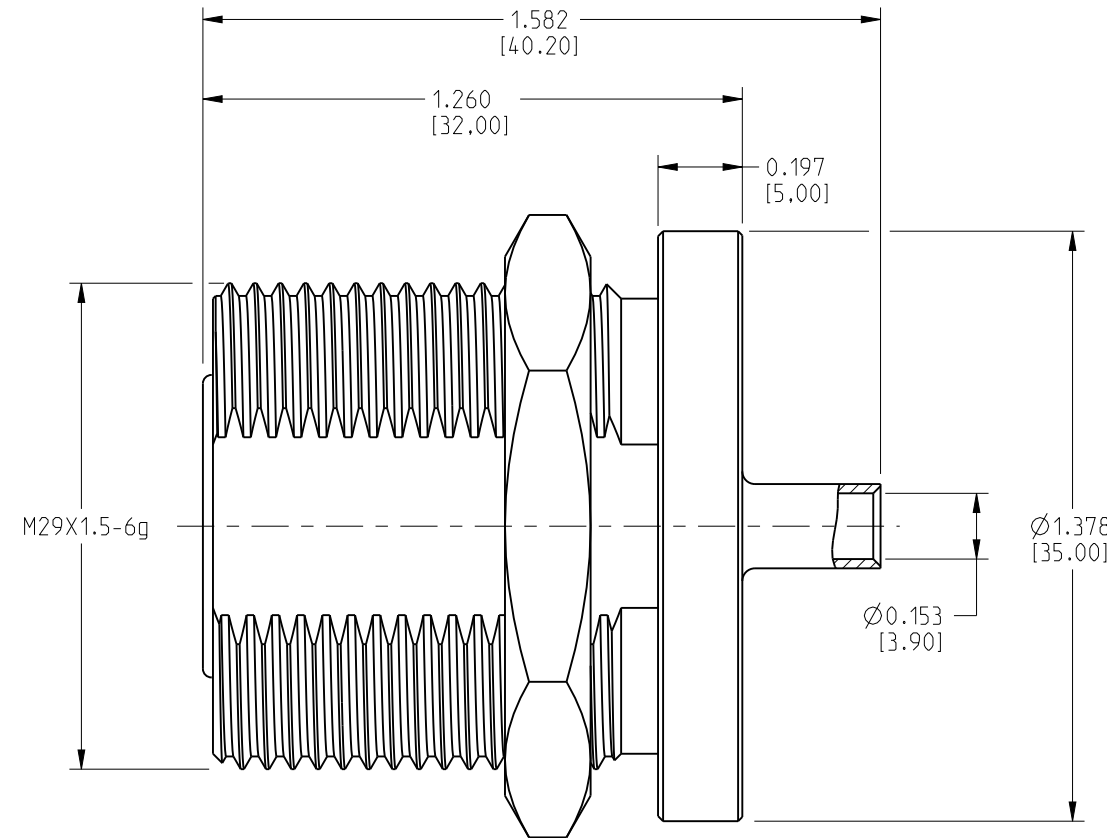
272158-11		REVISIONS			
DRAWING NO.	REV	DESCRIPTION	DATE	ECO	APPR
THIRD ANGLE PROJ.	A	RELEASE TO MFG	17-Feb-12	--	MG
	B	DESCRIPTION CHANGED & MODEL UPDATED	12-Oct-12	2392	MG



RECOMMENDED CABLE STRIPPING DIMENSIONS



SCALE 1.000



5	BULKHEAD NUT	BRASS	NICKEL	1
4	O-RING	SILICON RUBBER		1
3	CONTACT PIN	SPRING BRONZE	SILVER	1
2	INSULATOR	PTFE	NATURAL	1
1	BODY	BRASS	WHITE BRONZE	1
NO	DESCRIPTION	MATERIAL	FINISH	QTY

UNLESS OTHERWISE SPECIFIED, DIMENSIONS ARE IN INCHES AND TOLERANCES ARE:  
 2 PLACE DECIMAL      3 PLACE DECIMAL      ANGLES  
 $\pm 0.015$  (0,381 mm)       $\pm 0.005$  (0,127 mm)       $\pm 1^{\circ}$

NOTICE - These drawings, specifications, or other data (1) are, and remain the property of Amphenol Corp. (2) must be returned upon request; and (3) are confidential and not to be disclosed to any person other than those to whom they are given by Amphenol Corp. The furnishing of these drawings, specifications, or other data by Amphenol Corp., or to any other person to anyone for any purpose is not to be regarded by implication or otherwise in any manner licensing, granting rights or permitting such holder or any other person to manufacture, use or sell any product, process or design, patented or otherwise, that may in any way be related to or disclosed by said drawings, specifications, or other data.

MATERIAL  
SEE NOTES

REFERENCE

DRAWN  
GOPI M      DATE  
12-Oct-12

ENGINEER  
GOPI M      DATE  
12-Oct-12

APPROVED      DATE

CAD FILE

TITLE  
7/16 BULKHEAD JACK  
FOR 0.141" SEMI-RIGID CABLE

Amphenol  
Connex

SCALE: 2.2:1      SHEET 1 OF 1

DWG SIZE DRAWING NO.      REV  
B      272158-11      B