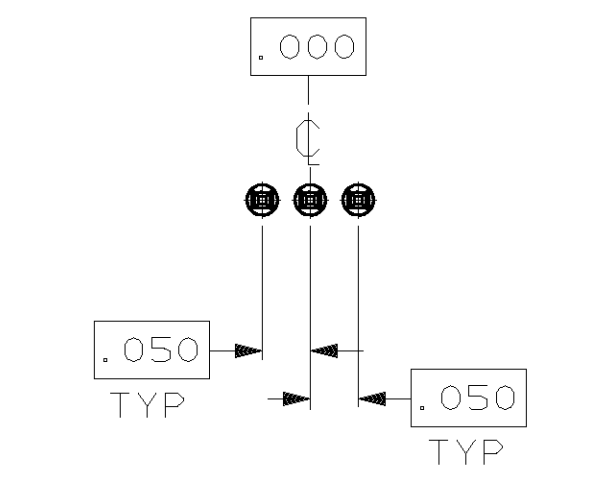
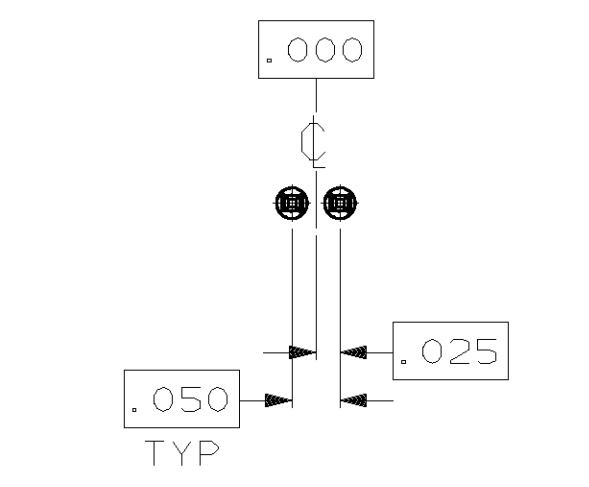
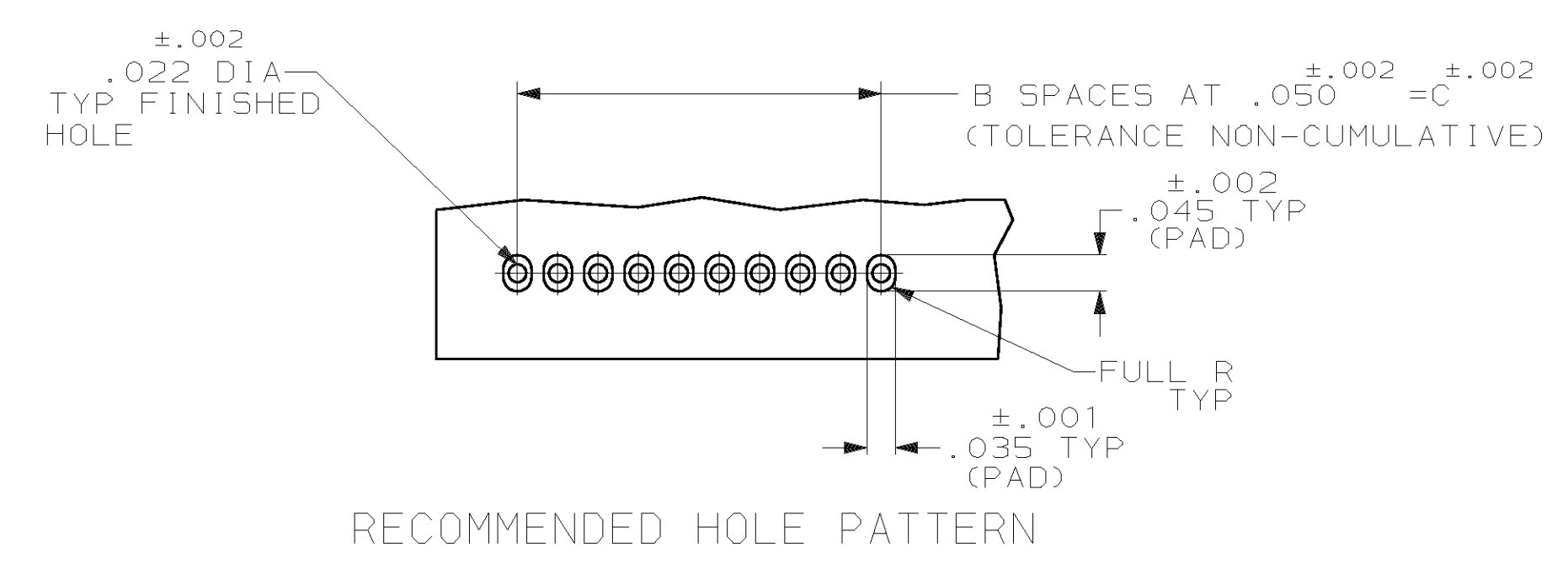
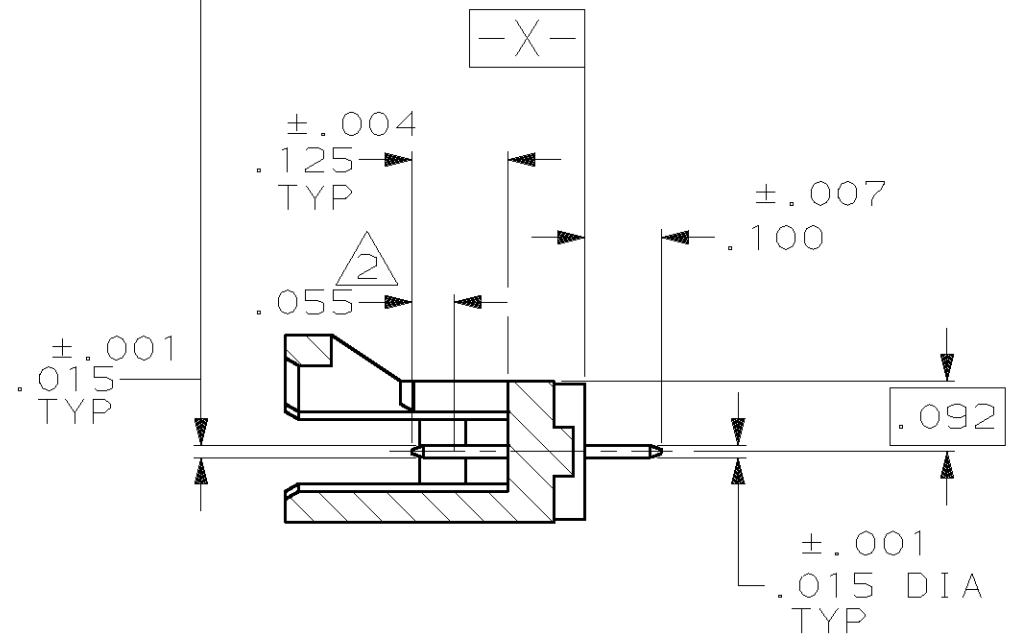
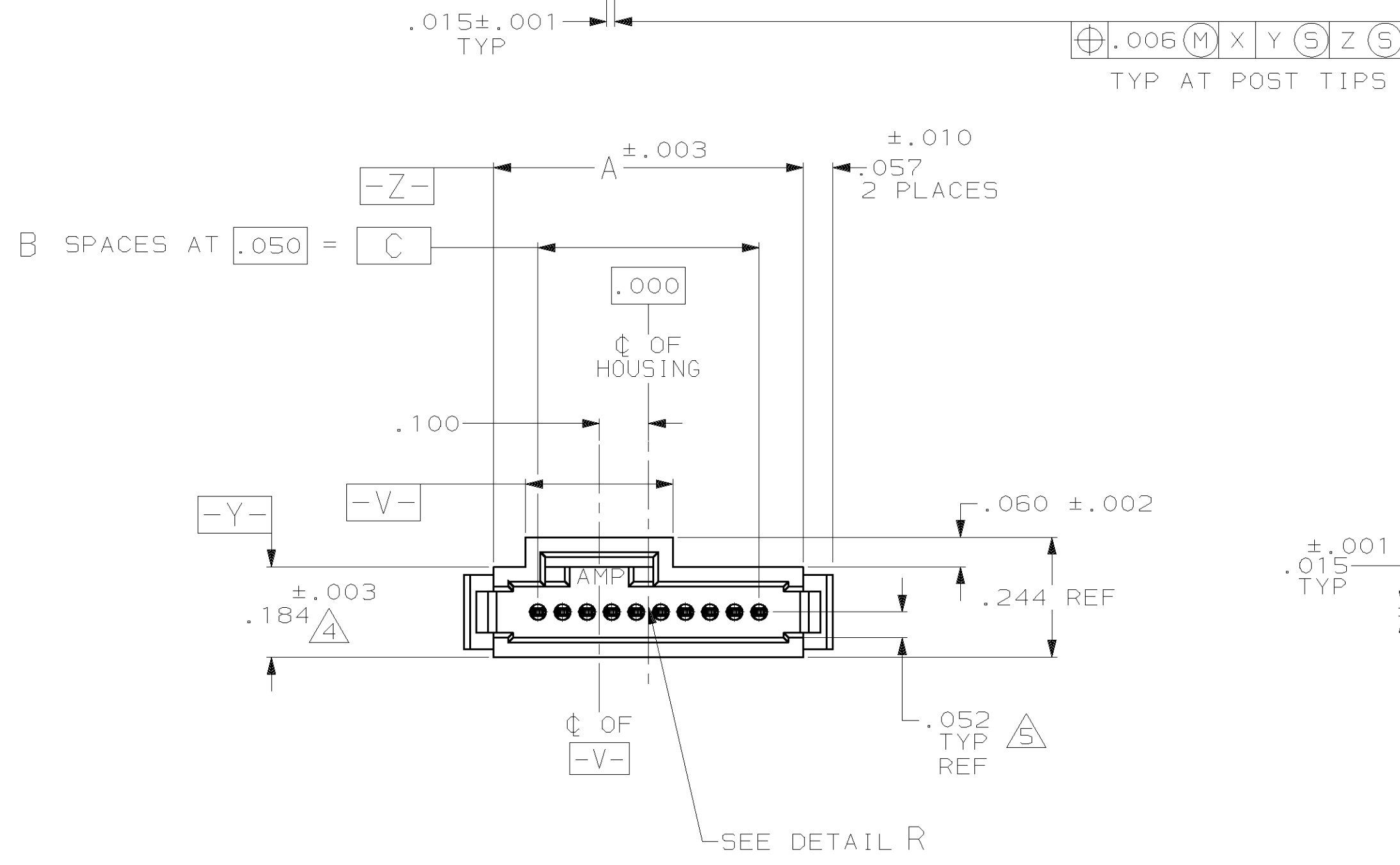
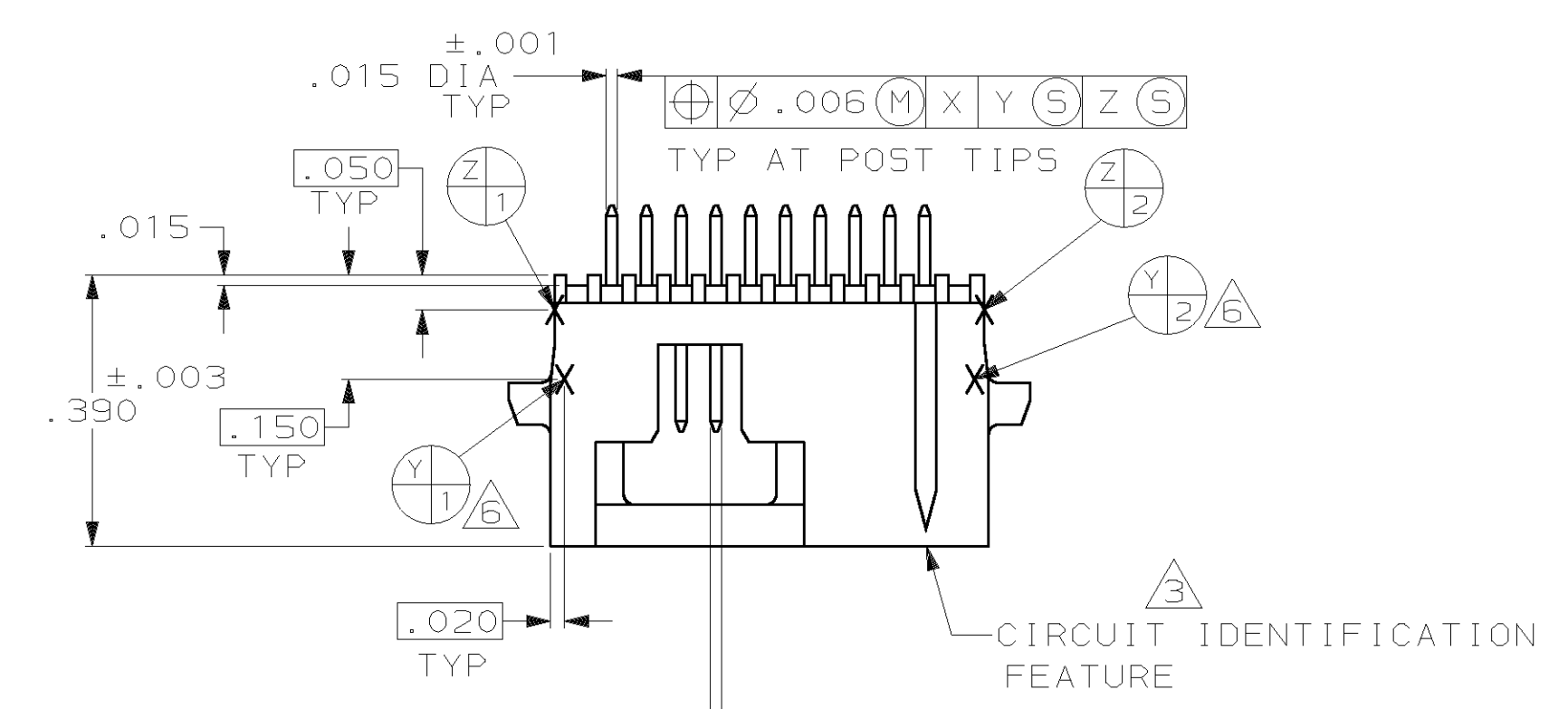


LOC		DIST		REV		REVISIONS		DATE	APPD
AD	36	P	F	ZONE	LTR	DESCRIPTION			
				B		REV PER 063C-0553-04		21OCT04	JR/D5



BASIC DIMENSIONS FOR ODD NO OF SPACES (SEE TABLE)

BASIC DIMENSIONS FOR EVEN NO OF SPACES (SEE TABLE)

- 1 CONTACT AREAS PLATED WITH .000030 GOLD, SOLDER TAILS PLATED WITH .000150 TIN-LEAD, ALL OVER .000050 NICKEL
- 2 POINT OF MEASUREMENT FOR GOLD THICKNESS
- 3 CIRCUIT IDENTIFICATION FEATURE OMITTED ON 4,5,6 AND 7 POSITION HEADER ASSEMBLIES
- 4 DIMENSION APPLIES AT BASE OF SHROUD
- 5 THE NOTED DIMENSIONS APPLY AT THE INTERSECTION OF THE POST & HOUSING
- 6 (Y/3) (Y/4) ARE LOCATED THE SAME AS (Y/1) (Y/2) EXCEPT ON OPPOSITE SIDE OF HOUSING.
- 7. ASSEMBLY MATES WITH FFC CONNECTOR 487973.
- 8 CONTACT AREAS PLATED WITH .000030 GOLD, SOLDER TAILS PLATED WITH .000150 TIN, ALL OVER .000050 NICKEL

.450	9	.630	10	5-146069-1
.450	9	.630	10	146069-1
C	B	A	NO OF POSN	PART NUMBER

DO NOT SCALE PRINT. UNLESS SPECIFIED DIMENSIONS IN mm [INCHES] TOLERANCES ON:		DR 08/03/93 J. MARTINELLI		AMP Incorporated Harrisburg, PA 17105-3508	
2 PLC DEC ± .005		CHK 08/09/93 DAN GORENC			
3 PLC DEC ± .005		APPD 08/09/93 DAN GORENC		NAME	
ANGLES ± -		APPD 8/16/93 B. FLINCHBAUGH		HEADER ASSEMBLY, VERTICAL, SINGLE ROW, W/ OFFSET SIDE LATCH & END LATCHES	
MATERIAL HOUSING: THERMOPLASTIC COLOR-BLACK CONTACT: COPPER ALLOY		PRODUCT SPEC 108-1093		AMP MODU@ System 50	
FINISH SEE TABLE		APPLICATION SPEC 114-25031		SIZE D	CAGE CODE 00779
WEIGHT -		DRAWING NO 146069		SCALE 4:1	SHEET 1 OF 1

THIS DRAWING IS A CONTROLLED DOCUMENT FOR AMP INCORPORATED. IT IS SUBJECT TO CHANGE AND THE CONTROLLING ENGINEERING ORGANIZATION SHOULD BE CONTACTED FOR THE LATEST REVISION.