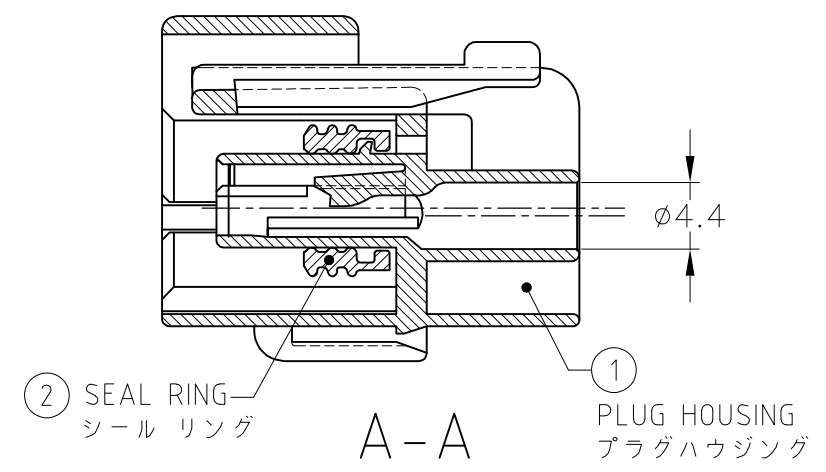
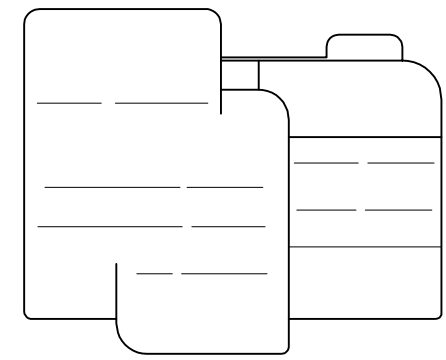
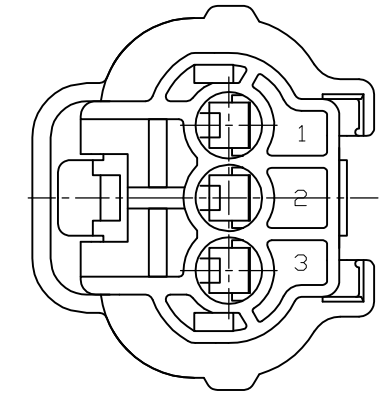
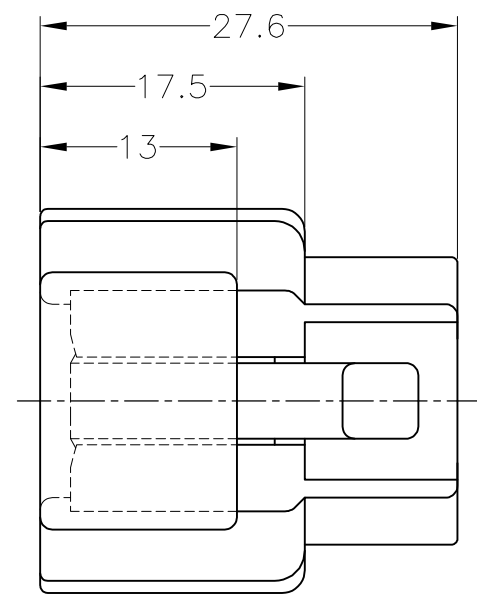
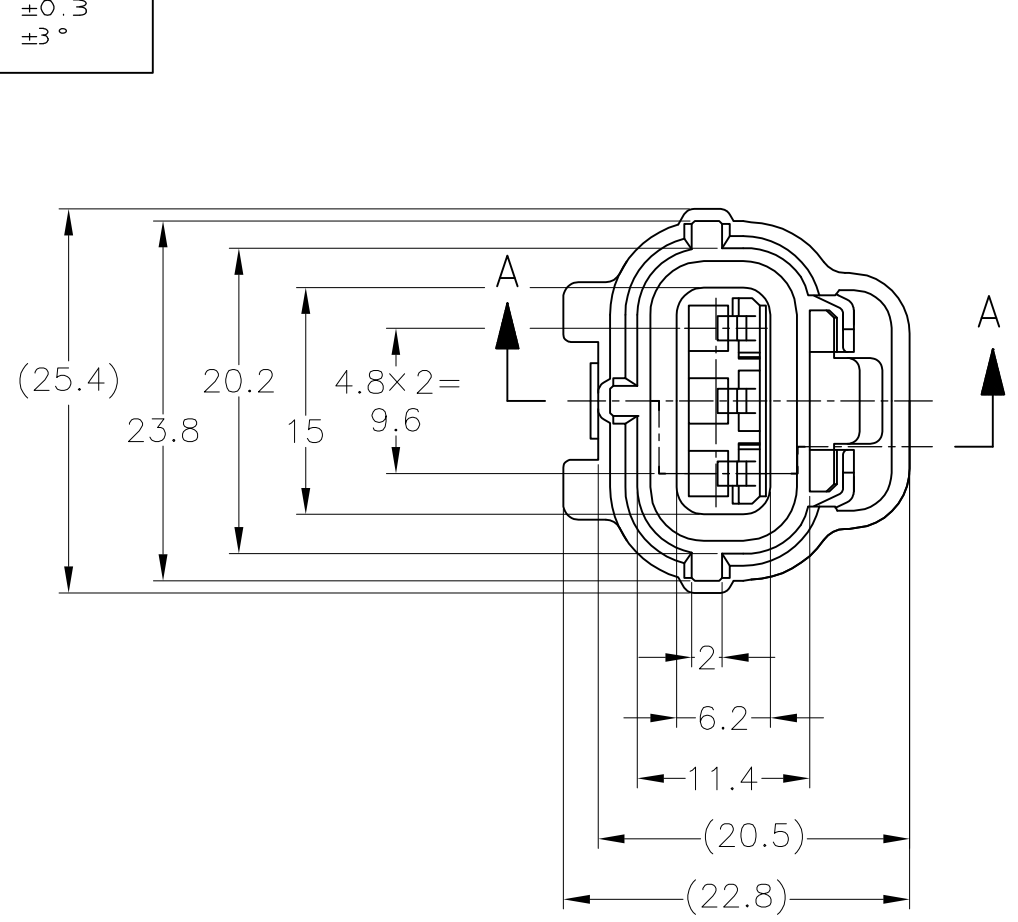


THIS DRAWING IS UNPUBLISHED. RELEASED FOR PUBLICATION JUN,2014 ,10 .
 © COPYRIGHT 2014 By Tyco Electronics Japan G.K. ALL RIGHTS RESERVED.

LOC	DIST	REVISIONS 変更					
J	—	P	LTR	DESCRIPTION	DATE	DWN	APVD
		A		RELEASED	06AUG14	DM	TK

TOLERANCE UNLESS OTHERWISE SPECIFIED:
 一般公差
 0 < x ≤ 10 : ±0.2
 10 < x ≤ 30 : ±0.25
 30 < x ≤ 100 : ±0.3
 ANGLE : ±3°
 角度



- 1. 嵌合相手型番：174359, 173065
- 2. 本品はプラグハウジング単体にシールリングがアッセンブリされたものである。
- 3. 本品はダブルロックプレート型番 174358を装着して使用する。
- ④ シールリングはフタル酸フリー品である。

- 1. FOR CAP HOUSING PN 174359, 173065
- 2. THIS PART IS COMPOSED OF PLUG HOUSING AND SEAL RING
- 3. THIS PART MUST BE USED WITH DOUBLE LOCK PLATE PN 174358
- ④ SEAL RING IS NON-BIS TYPE

NBR④/BLACK	PBT/GRAY	2822390-2
NBR④/BLACK	PBT/BLACK	2822390-1
② SEAL RING	① PLUG HOUSING	PART NUMBER
MATERIAL / COLOR		

THIS DRAWING IS A CONTROLLED DOCUMENT.		DWN D.MATSUURA 06AUG2014	TE Connectivity 3Pos. ECONOSEAL J-MARKII+ CONNECTOR PLUG HOUSING				
DIMENSIONS: 単位： 耗 mm		CHK S.IWATANI 06AUG2014				NAME T.KOHNO 06AUG2014	RESTRICTED TO
TOLERANCES UNLESS OTHERWISE SPECIFIED: 一般公差		APVD T.KOHNO 06AUG2014				PRODUCT SPEC 製品規格 108-5262	SCALE
0 PLC ±- 1 PLC ±- 2 PLC ±- 3 PLC ±- 4 PLC ±- ANGLES ±-		APPLICATION SPEC 取付適用規格 114-5082				SIZE A3	尺度 2:1
MATERIAL 材料 SEE TABLE	FINISH 仕上 -	WEIGHT 6.15g	CAGE CODE 00779	DRAWING NO 番号 C-2822390	SHEET 1 OF 2		
CUSTOMER DRAWING			REV A				

THIS DRAWING IS UNPUBLISHED.

RELEASED FOR PUBLICATION JUN,2014 ,10 .

© COPYRIGHT 2014 By Tyco Electronics Japan G.K.

ALL RIGHTS RESERVED.

LOC J

DIST -

REVISIONS

変更

DESCRIPTION

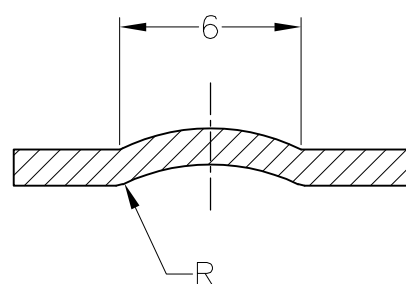
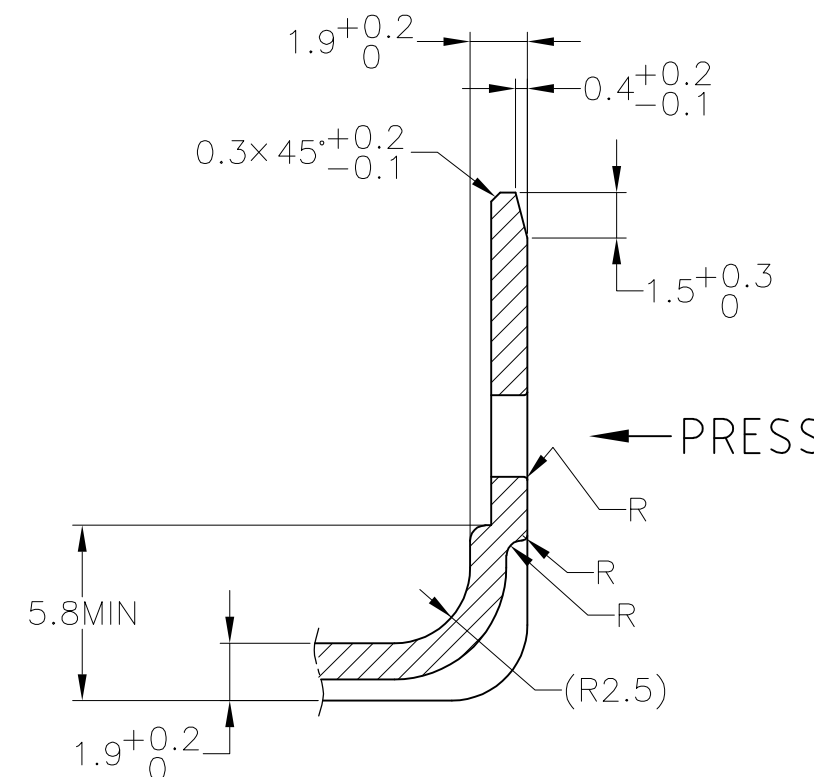
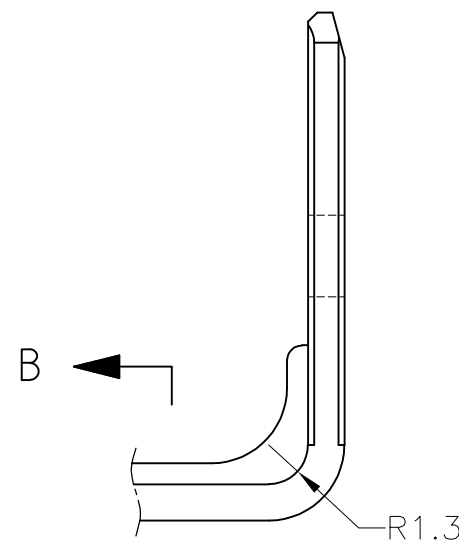
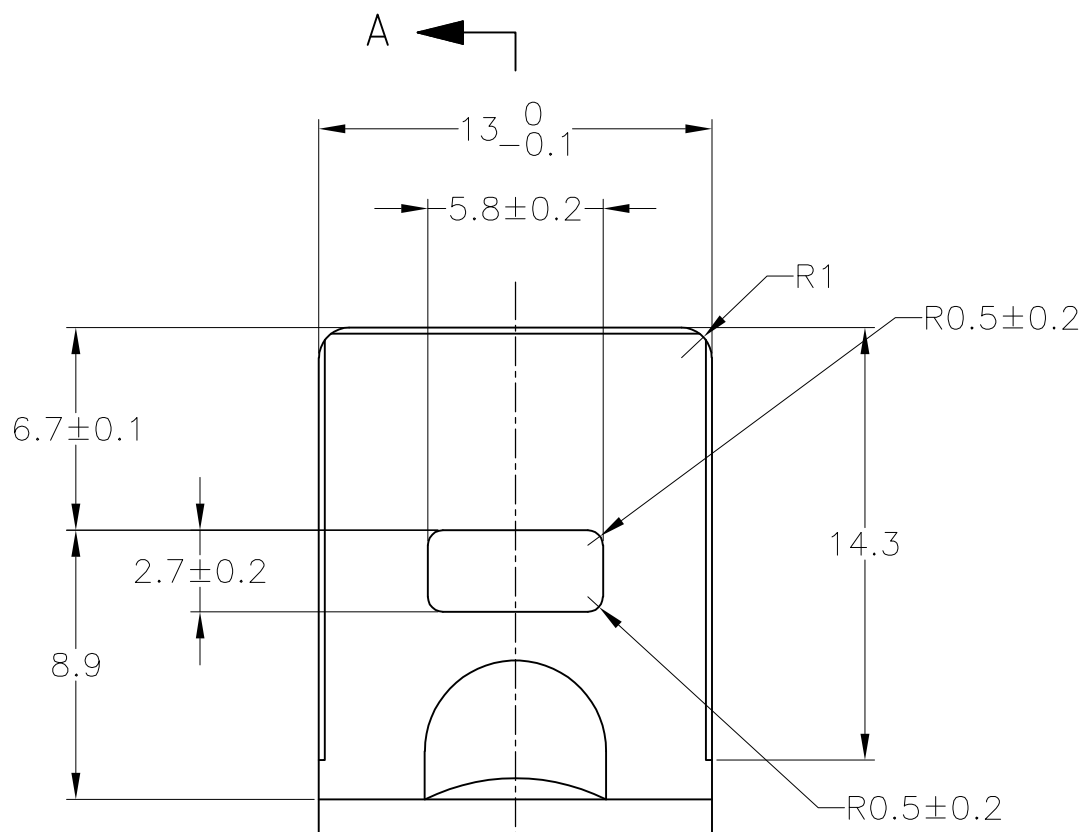
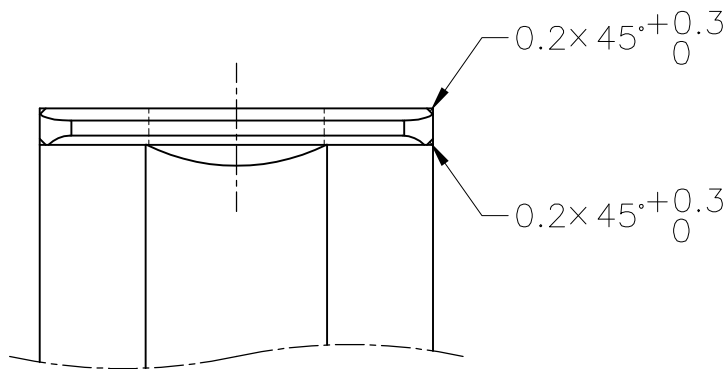
DATE

DWN

APVD

SEE SHEET 1

ブラケット推奨寸法図
RECOMMENDED DIMENSION OF BRACKET

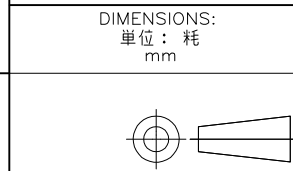


t = 1.2 ± 0.08

TOLERANCE UNLESS OTHERWISE SPECIFIED: 一般公差

0 < x ≤ 10	: ±0.2
10 < x ≤ 30	: ±0.25
30 < x ≤ 100	: ±0.3
ANGLE ; 角度	: ±3°

THIS DRAWING IS A CONTROLLED DOCUMENT.



TOLERANCES UNLESS OTHERWISE SPECIFIED: 一般公差

0 PLC	± -
1 PLC	± -
2 PLC	± -
3 PLC	± -
4 PLC	± -
ANGLES	± -
FINISH 仕上	-

MATERIAL 材料

DWN D.MATSUURA 06AUG2014

CHK S.IWATANI 06AUG2014

APVD T.KOHNO 06AUG2014

PRODUCT SPEC 製品規格

APPLICATION SPEC 取付適用規格

WEIGHT

CUSTOMER DRAWING



NAME 名称 3Pos. ECONOSEAL J-MARKII+ CONNECTOR PLUG HOUSING

SIZE A3 CAGE CODE 00779 DRAWING NO 番号 C-2822390 RESTRICTED TO -

SCALE 尺度 4:1 SHEET 2 OF 2 REV A