

1

2

3

4

5

6

7

A

A

B

B

C

C

D

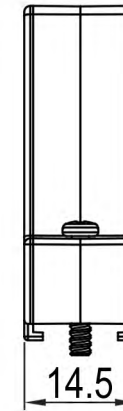
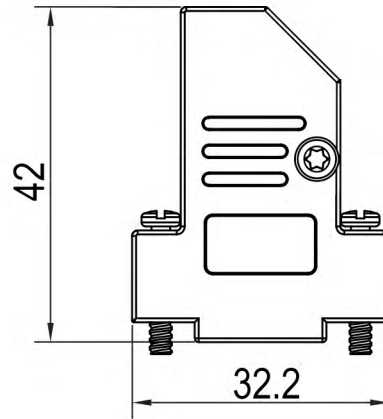
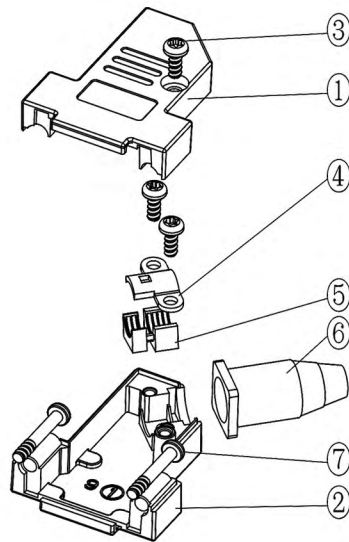
D

E

E

F

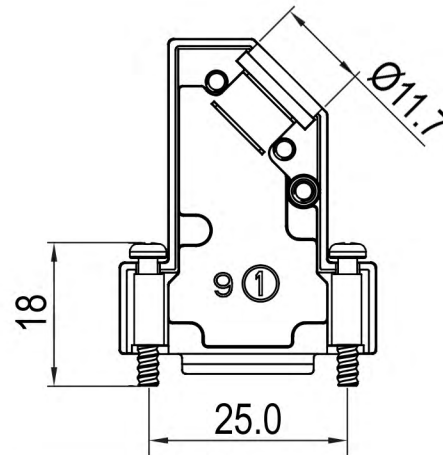
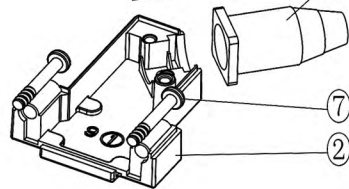
F



TECHNICAL SPECIFICATIONS

Material: Zinc
 Plating: Nickel
 Operating Temperature: -25°C to +90°C
 Jackscrews: M3

No. of contacts: 09-15-25-37



Item	QTY	Part description
1	1	Upper Cover
2	1	Lower Cover
3	3	TX M2.5x6 Screw
4	1	Cable Clamp
5	1	Plastic Insert
6	1	Rubber Grommet
7	2	Jackscrew M3x18

RoHS compliant
 Unit: mm

Scale	Free					Date	Name	Customer-No.
TOLERANCE						Drawn	17.08.2017	S.Bölling
0~6	±0.10					Approved	17.08.2017	S.Bölling
6~30	±0.20							
30~120	±0.30							
120~400	±0.50							
DIM	Tol							
Angle	±1°	Ⓢ	Drawn	17.08.2017	S.Bölling			
Angle	Tol	Id.	Modification	Date	Name			

Customer-No.
 ASSMANN WSW-No.
ACOV-SUB-09MB34

Drawing-No.
ASS_5275_CO rev00
 Replace
 Sheet 1/4

1

2

3

4

5

6

7

SV4382

1

2

3

4

5

6

7

A

B

C

D

E

F

A

B

C

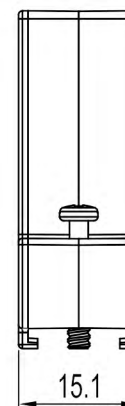
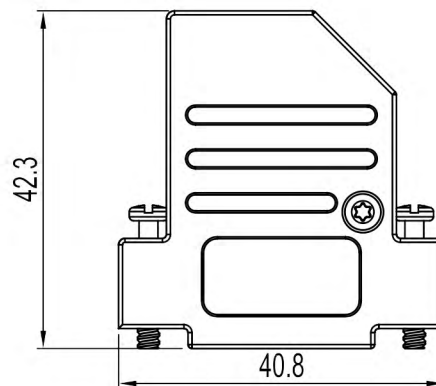
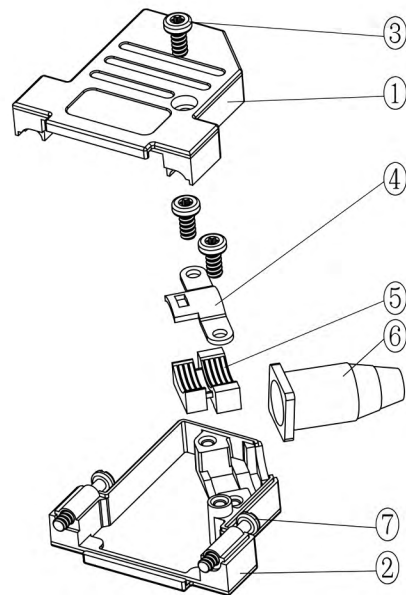
D

E

F

G

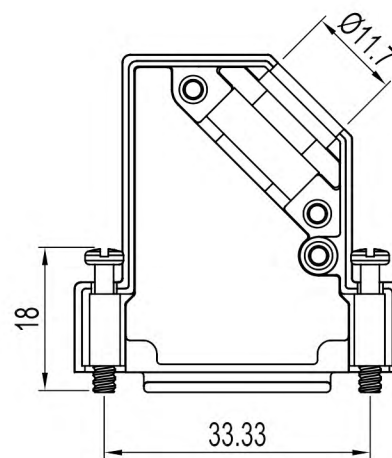
H



TECHNICAL SPECIFICATIONS

Material: Zinc
 Plating: Nickel
 Operating Temperature: -25°C to +90°C
 Jackscrews: M3

No. of contacts: 09-15-25-37



Item	QTY	Part description
1	1	Upper Cover
2	1	Lower Cover
3	3	TX M2.5x6 Screw
4	1	Cable Clamp
5	1	Plastic Insert
6	1	Rubber Grommet
7	2	Jackscrew M3x18

RoHS compliant
 Unit: mm

Scale	Free				Date	Name	Customer-No.
TOLERANCE					Drawn	17.08.2017	S.Bölling
0~6	±0.10				Approved	17.08.2017	S.Bölling
6~30	±0.20						
30~120	±0.30						
120~400	±0.50						
DIM	Tol						
Angle	±1°	Ⓞ	Drawn	17.08.2017	S.Bölling	ASSMANN WSW components	
Angle	Tol	Id.	Modification	Date	Name		

ASSMANN WSW-No.
ACOV-SUB-15MB34

Drawing-No.
ASS_5275_CO rev00
 Replace Sheet 2/4

1

2

3

4

5

6

7

1

2

3

4

5

6

7

A

A

B

B

C

C

D

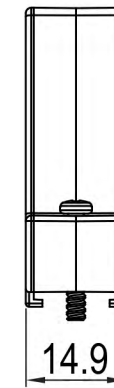
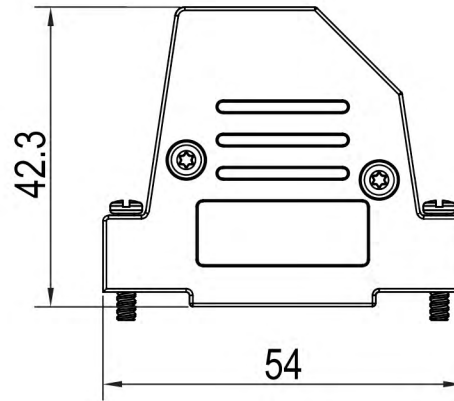
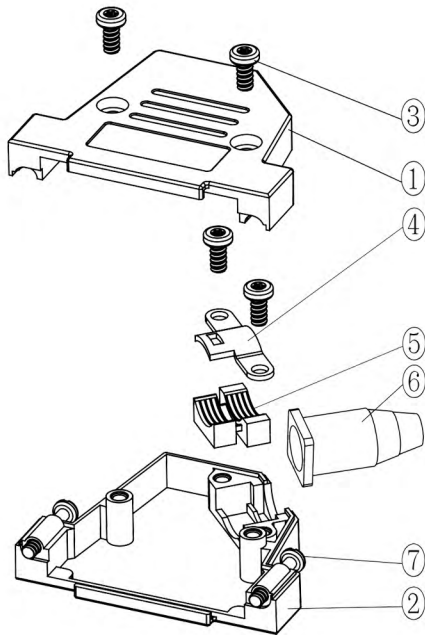
D

E

E

F

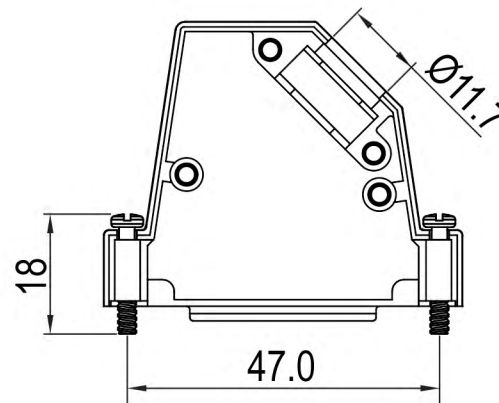
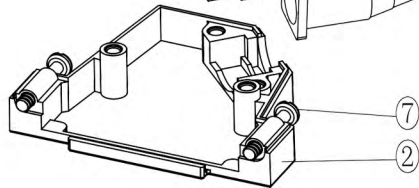
F



TECHNICAL SPECIFICATIONS

Material: Zinc
 Plating: Nickel
 Operating Temperature: -25°C to +90°C
 Jackscrews: M3

No. of contacts: 09-15-25-37



Item	QTY	Part description
1	1	Upper Cover
2	1	Lower Cover
3	4	TX M2.5x6 Screw
4	1	Cable Clamp
5	1	Plastic Insert
6	1	Rubber Grommet
7	2	Jackscrew M3x18

RoHS compliant
 Unit: mm

Scale	Free				Date	Name	Customer-No.	
TOLERANCE					Drawn	17.08.2017	S.Bölling	
0~6	±0.10				Approved	17.08.2017	S.Bölling	
6~30	±0.20							
30~120	±0.30							
120~400	±0.50							
DIM	Tol							
Angle	±1°	Ⓢ	Drawn	17.08.2017				S.Bölling
Angle	Tol	Id.	Modification	Date				Name

Customer-No.
 ASSMANN WSW-No.
ACOV-SUB-25MB34

Drawing-No.
ASS_5275_CO rev00
 Replace
 Sheet 3/4

1

2

3

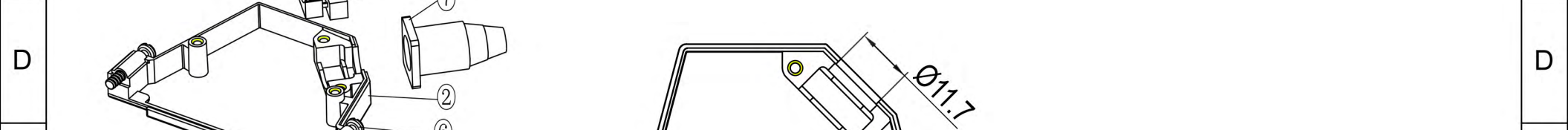
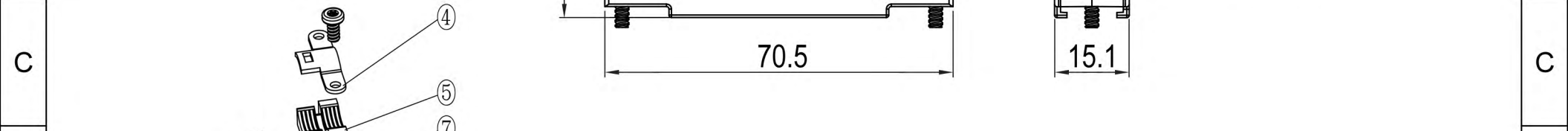
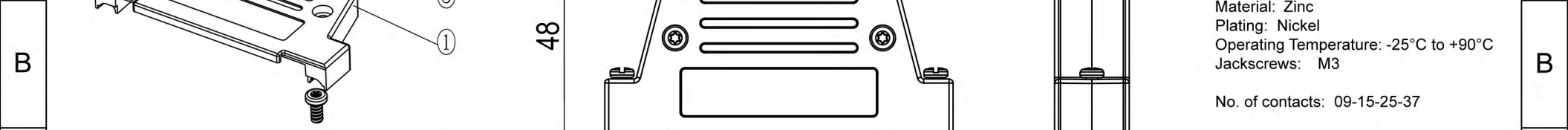
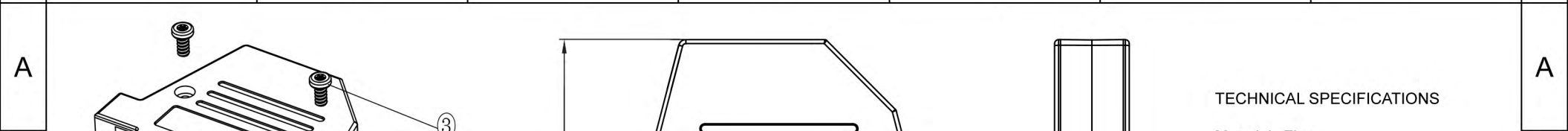
4

5

6

7

SV4382



Item	QTY	Part description
1	1	Upper Cover
2	1	Lower Cover
3	4	TX M2.5x6 Screw
4	1	Cable Clamp
5	1	Plastic Insert
6	2	Jackscrew M3x18
7	1	Rubber Grommet

TECHNICAL SPECIFICATIONS

Material: Zinc
 Plating: Nickel
 Operating Temperature: -25°C to +90°C
 Jackscrews: M3

No. of contacts: 09-15-25-37

RoHS compliant
 Unit: mm

Scale	Free					Date	Name	Customer-No.
TOLERANCE						Drawn	17.08.2017	S.Bölling
0~6	±0.10					Approved	17.08.2017	S.Bölling
6~30	±0.20							
30~120	±0.30							
120~400	±0.50							
DIM	Tol							
Angle	±1°	©	Drawn	17.08.2017	S.Bölling			
Angle	Tol	Id.	Modification	Date	Name			

Customer-No.	
ASSMANN WSW-No. ACOV-SUB-37MB34	
Drawing-No. ASS_5275_CO	rev00
Replace	Sheet 4/4