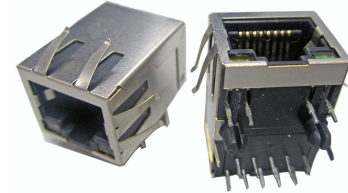


RJ45 1000 Base-T, Single Port w/ LEDs, Extended Temperature

ARJ-205

RoHS/RoHS II Compliant



16.26 x 13.84 x 21.59mm

FEATURES:

- Compliant with IEEE802.3 standard
- Designed for Network Interface Cards(NIC), LAN-on-Motherboard(LOM) and PC applications Ethernet Switch, Servers, & Access Point Routers
- High performance for maximum EMI suppression
- 350 μ H minimum OCL with 8mA bias current
- RoHS peak wave solder temperature 260 $^{\circ}$ C

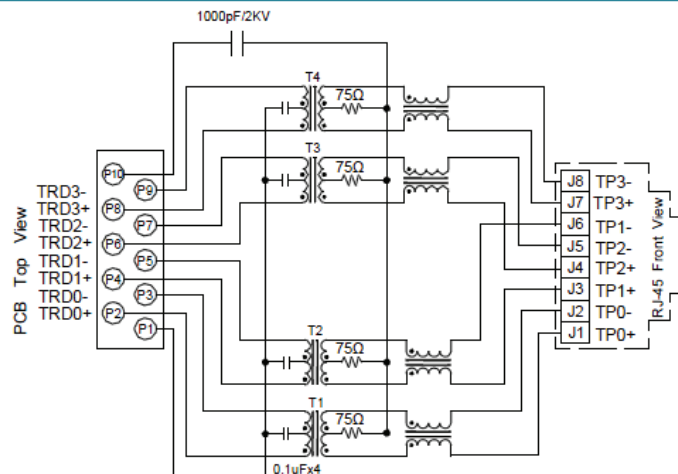
APPLICATIONS:

- Support 1000 Base-T applications w LEDs
- Extended Temperature (-40 $^{\circ}$ C~85 $^{\circ}$ C)
- Applicable for Ethernet Switch, Servers, & Access Point Routers
- Provides signal conditioning, EMI suppression and signal isolation
- Shorter body design for tight spacing area

STANDARD SPECIFICATIONS

| Parameters | Minimum | Typical | Maximum | Units | Notes |
|------------------------|---|---------|---------|--------------|-----------------|
| Operating Temperature | -40 | | +85 | $^{\circ}$ C | |
| Storage Temperature | -40 | | +85 | $^{\circ}$ C | |
| Turn Ratio (\pm 5%) | 1CT:1CT | | | | Tx |
| | 1CT:1CT | | | | Rx |
| Inductance (OCL) | 350 | | | μ H | 100KHz/0.1V@8mA |
| Insertion Loss | | | -1.2 | dB | 0.3-100MHz |
| Return Loss | -16 | | | dB | 1-30MHz |
| | -13.5 | | | | 40MHz |
| | -11.5 | | | | 50MHz |
| | -10 | | | | 60-80MHz |
| Cross Talk | -40 | | | dB | 30MHz |
| | -36 | | | | 60MHz |
| | -30 | | | | 100MHz |
| DCMR | -35 | | | dB | 30MHz |
| | -32 | | | | 60MHz |
| | -30 | | | | 100MHz |
| Hi-Pot | 1500Vrms/0.5mA/60Sec or 1650Vrms/0.5mA/2Sec | | | | Pri to Sec |

SCHEMATICS



| Standard LED | Wavelength | Forward*V(MAX) | TYP |
|--------------|------------|----------------|------|
| Green | 565nm | 2.5v | 2.2v |
| Yellow | 585nm | 2.5v | 2.1v |

With a forward current of 20mA

ABRACON IS
ISO 9001:2008
CERTIFIED



2 Faraday, Suite# B | Irvine | CA 92618 **Revised: 07.01.15**

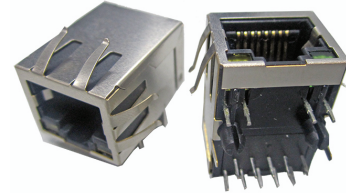
Ph. 949.546.8000 | Fax. 949.546.8001

Visit www.abracon.com for Terms and Conditions of Sale

RJ45 1000 Base-T, Single Port w/ LEDs, Extended Temperature

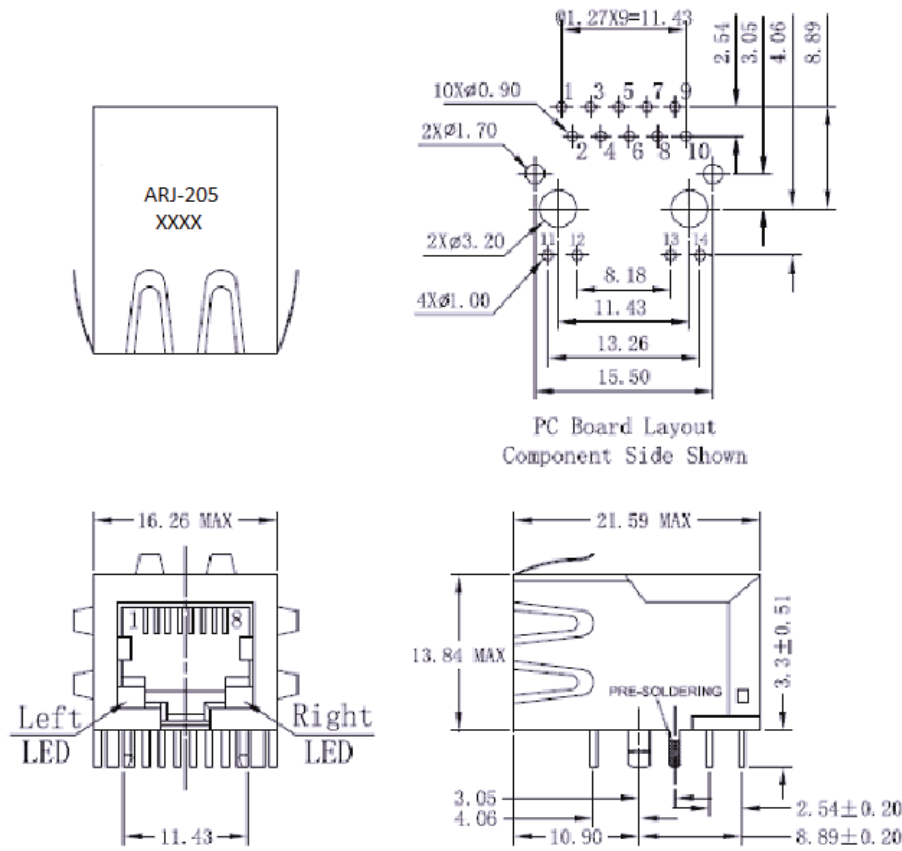
ARJ-205

RoHS/RoHS II Compliant



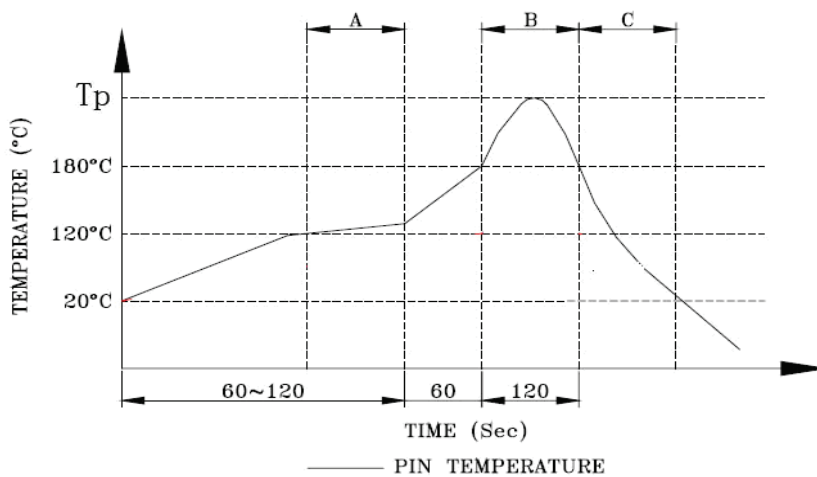
16.26 x 13.84 x 21.59mm

MECHANICAL DIMENSIONS



Dimensions: mm (Unless otherwise specified, all tolerances are ±0.25)

WAVE SOLDERING PROFILE



A. Preheating B. Soldering C. Gradual Cooling

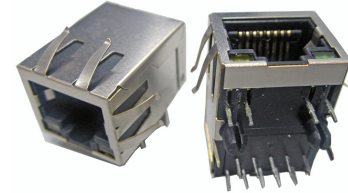
Peak temperature (Tp) : 250± 10°C

Peak temperature (Tp) time : 5sec max

RJ45 1000 Base-T, Single Port w/ LEDs, Extended Temperature

ARJ-205

RoHS/RoHS II Compliant

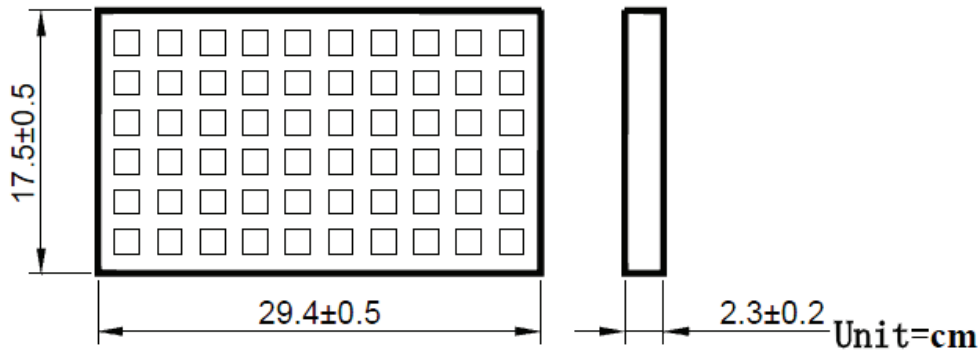


16.26 x 13.84 x 21.59mm

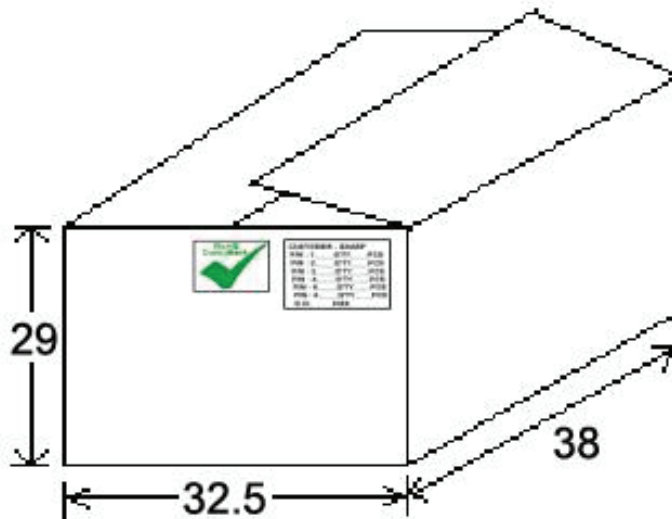
PACKING:

Packing: (60 pcs/tray)

Packaging Material: PET



Outer carton unit (optional): 1320 pcs/ 22 Trays/box



Dimensions: cm

ATTENTION: Abracon Corporation's products are COTS – Commercial-Off-The-Shelf products; suitable for Commercial, Industrial and, where designated, Automotive Applications. Abracon's products are not specifically designed for Military, Aviation, Aerospace, Life-dependant Medical applications or any application requiring high reliability where component failure could result in loss of life and/or property. For applications requiring high reliability and/or presenting an extreme operating environment, written consent and authorization from Abracon Corporation is required. Please contact Abracon Corporation for more information.

ABRACON IS
ISO 9001:2008
CERTIFIED



2 Faraday, Suite# B | Irvine | CA 92618 **Revised: 07.01.15**

Ph. 949.546.8000 | Fax. 949.546.8001

Visit www.abracon.com for Terms and Conditions of Sale