

5

4

3

2

1

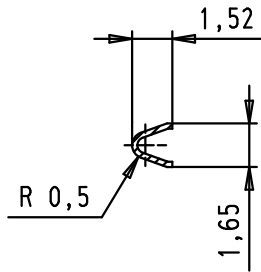
D

C

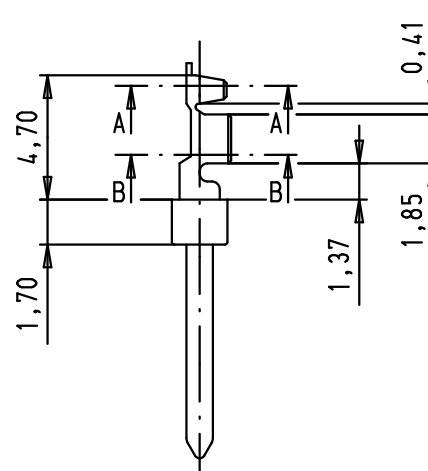
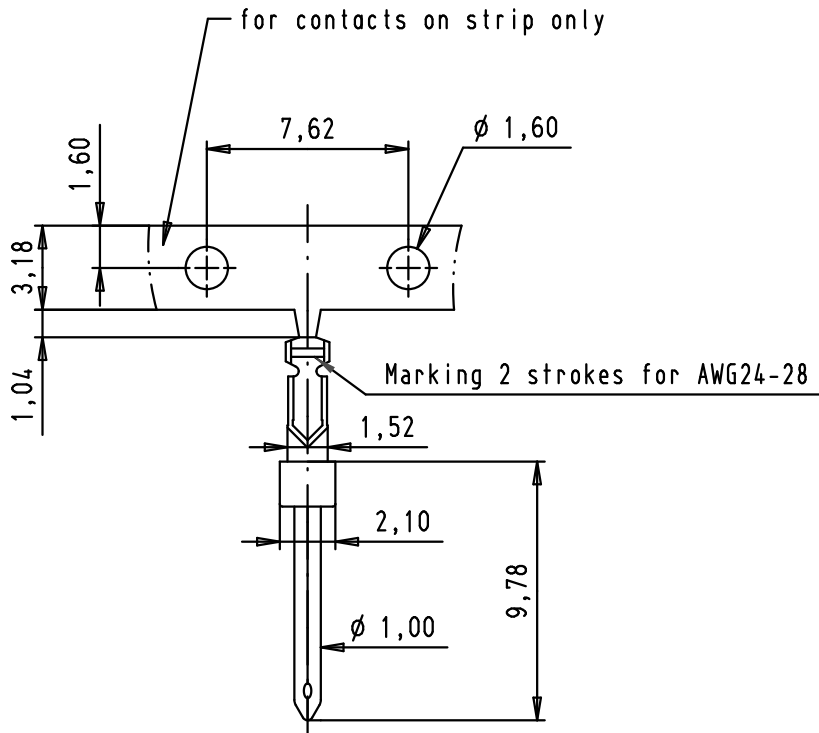
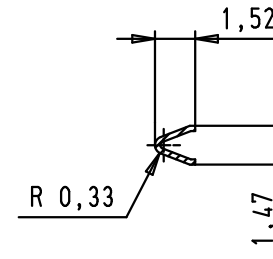
B

A

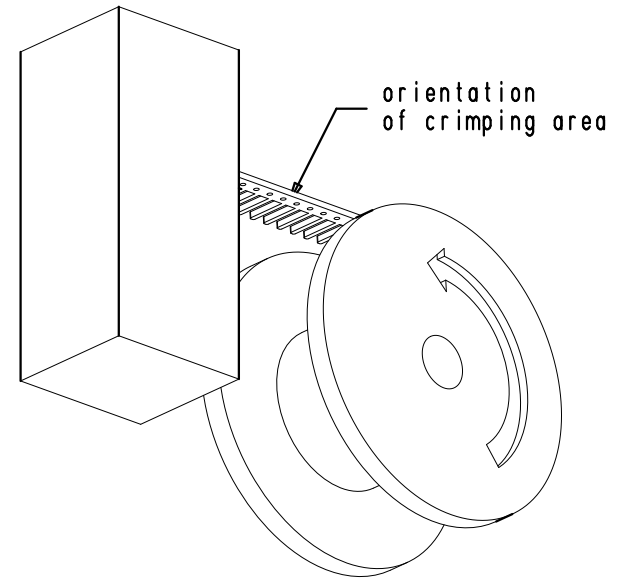
Section A-A



Section B-B



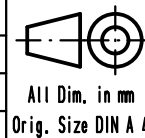
Reel unrolling right reversed



Base material: brass
 Plating: sliding contact selective gold plated over nickel
 nickel plated crimp area
 Number of contacts per reel: 10000

09 67 000 7138	PL2
09 67 000 7137	PL3
09 67 000 7136	PL1
Part number	Performance level

			Dat.	Name
			24/03/03	PP
36288	13/01/12	SD	Insp. 13/01/12	JB
33986	23/04/07	PK	Stand.	
33242	17/10/05	JMDR		
31475	24/03/03	PP		
Mod.	Dat.	Name	HARTING EURL F-95972 Paris	



D-Sub, stamped male
 AWG 24-28 crimp contact, reel
 unrolling right reversed

Maßstab/
 Scale
 3,5:1



TB 09 67 000 713X
 Sub.

Blatt/ Page
 1 / 1