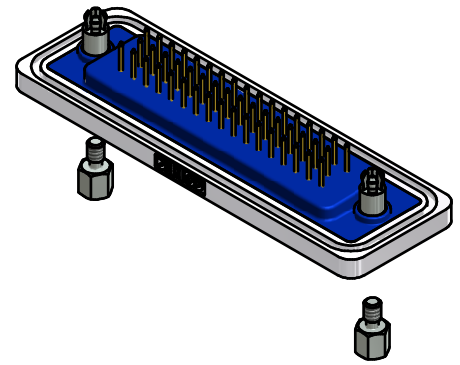
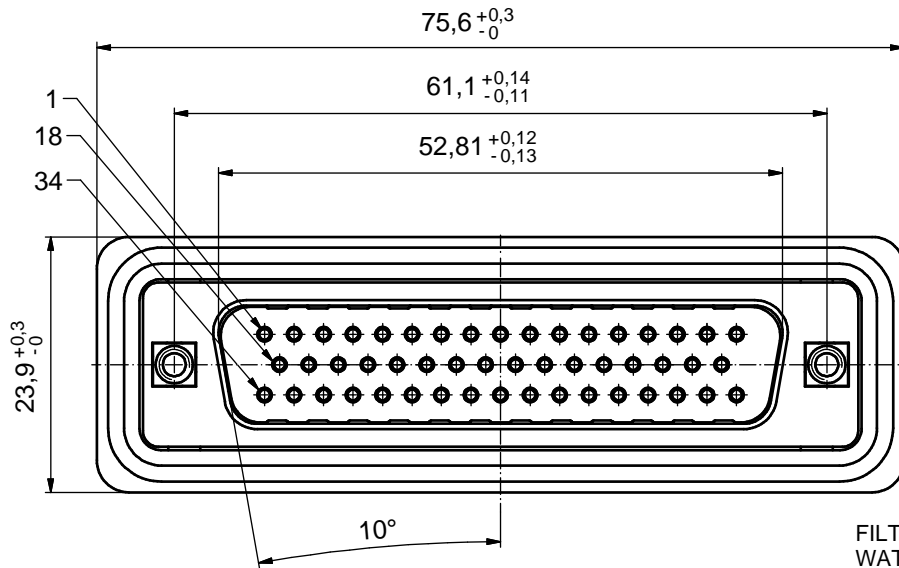
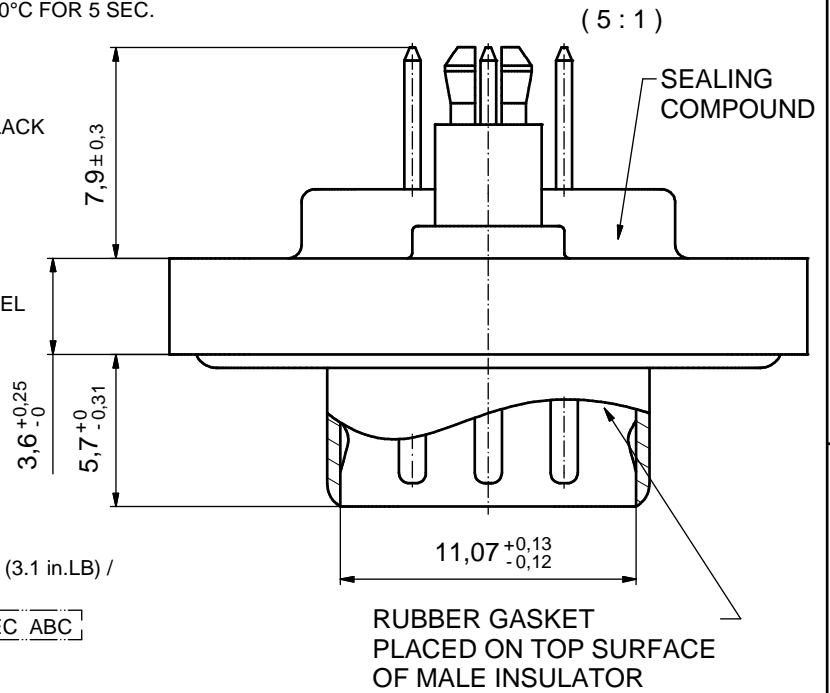
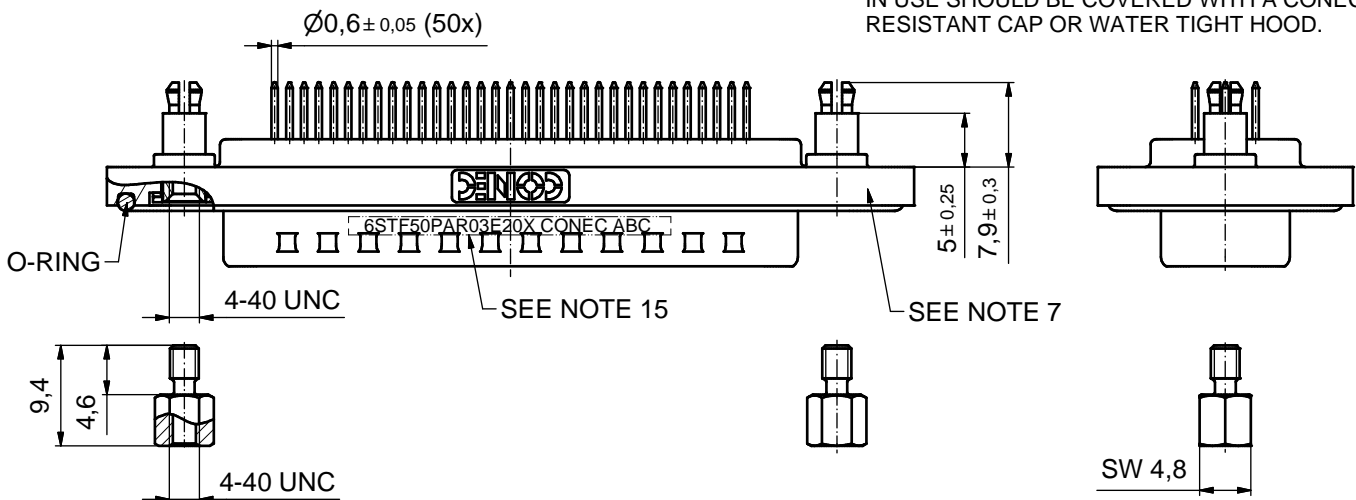


NOTES:

1. FOR WAVESOLDERING (SOLDER BATH TEMPERATURE 240°C FOR 5 SEC. AND SOLDER PREHEAT 100°C FOR 30 SEC.)
2. METALSHELLS: COPPER ALLOY;
min. 315µin TIN over 40-80µin NICKEL
3. INSULATORS: HIGH TEMPERATURE PLASTIC UL 94 V-0, BLACK
4. CONTACTS: COPPER ALLOY
PLATING: GOLD FLASH over NICKEL
5. THREADED SPACER CLIP: COPPER ALLOY;
min. 200µin TIN over 80µin NICKEL
PCB-HOLE: $\varnothing 3,1 \pm 0,1$; PCB THICKNESS 1,6mm
6. COLLARS: COPPER ALLOY; min. 200µin TIN over 80µin NICKEL
7. FRAME: ZINC DIE CAST
8. O-RING: SILICON; BLUE
9. RUBBER GASKET: TPE; BLACK
10. HEXLOCKING SCREWS: STAINLESS STEEL
11. CAPACITANCE: 370pF \pm 20%
12. DIELECTRIC WITHSTANDING VOLTAGE: 424 VDC
13. P.C.B. HOLE DRILLINGS +
RECOMMENDED PANEL CUT-OUT ON SHEET 2
14. RECOMMENDED TORQUE FOR MOUNTING SCREW 35Ncm (3.1 in.LB) /
max.40Ncm (3.5 in.LB)
15. CONNECTOR IS PART MARKED: 6STF50PAR03E20X CONEC ABC



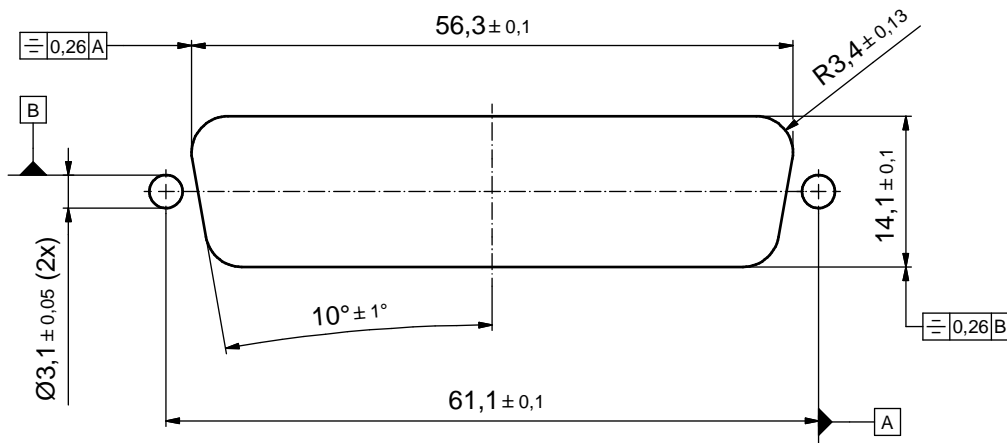
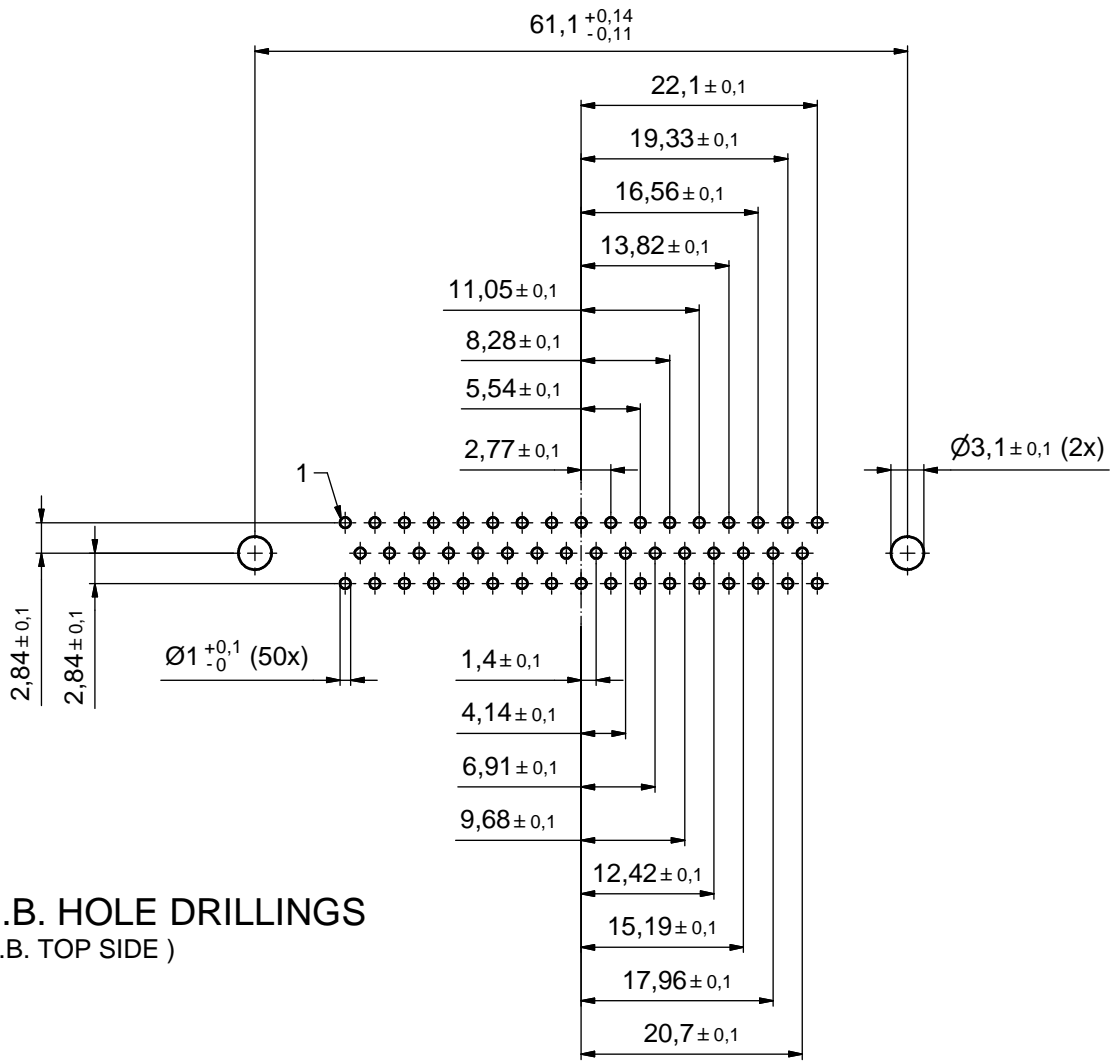
FILTER IS TOTALLY GUARDED AGAINST HUMIDITY. WATER COULD PENETRATE INTO THE MATING AREA. AT ALL TIMES WATER RESISTANT CONNECTORS NOT IN USE SHOULD BE COVERED WITH A CONEC WATER RESISTANT CAP OR WATER TIGHT HOOD.



Directive 2002/95/EC RoHS compliant

THIS DRAWING MAY NOT BE COPIED OR REPRODUCED IN ANY WAY, AND MAY NOT BE PASSED ON TO A THIRD PARTY WITHOUT WRITTEN PERMISSION. OWNERSHIP AND COPYRIGHT OF CONEC GmbH DO NOT ALTER CAD DRAWING BY HAND	tolerance		dim. in mm		scale: 2:1 (5:1)		
					material: SEE NOTES		
	drawn	24.05.13	Schmidt		title: D-SUB FILTER MALE 50pos. SOLDER PIN STRAIGHT with threaded spacer clip and hexlocking screw		
	appd.	24.05.13	Fischer				
	norm						
	d-old						
	rev.	a	Original			dwg no:	15K1A1311
	description						DIN-A3
	date					sh: 1	
	name					part no:	6STF50PAR03E20X
		CONEC					

P.C.B. HOLE DRILLINGS
(P.C.B. TOP SIDE)



RECOMMENDED PANEL CUT-OUT

THIS DRAWING MAY NOT BE COPIED OR REPRODUCED IN ANY WAY, AND MAY NOT BE PASSED ON TO A THIRD PARTY WITHOUT WRITTEN PERMISSION. OWNERSHIP AND COPYRIGHT OF CONEC GmbH DO NOT ALTER CAD DRAWING BY HAND				tolerance		scale: 2:1
					dim. in mm	material: SEE SHEET 1
				date	name	title: P.C.B. HOLE DRILLINGS PANEL CUT-OUT D-SUB MALE 50pos. Solder pin straight
				drawn 24.05.13	Schmidt	
				appd. 24.05.13	Fischer	
			norm		dwg no:	DIN-A3
			d-old		15K1A1311	sh: 2
	a	Original			part no: SEE SHEET 1	
rev.	description	date	name			