

# LT8607

## 42V, 0.75A Micropower Synchronous Step-Down Regulator

### DESCRIPTION

Demonstration Circuit 2565A is a 42V, 0.75A micropower synchronous step-down regulator featuring the [LT<sup>®</sup>8607](#). The demo board is designed for 5V output from a 5.5V to 42V input. The wide input range allows a variety of input sources, such as automotive batteries and industrial supplies. The LT8607 is a compact, high efficiency, high speed synchronous monolithic step-down switching regulator that consumes less than 3 $\mu$ A of quiescent current when output is regulated at 5V. Top and bottom power switches, compensation components and other necessary circuits are inside of the LT8607 to minimize external components and simplify design.

The SYNC pin on the demo board is grounded by default for low ripple Burst Mode<sup>®</sup> operation. Move JP1 to PULSE SKIPPING position can change the operation mode to pulse-skipping operation. Once JP1 is on SPREAD SPECTRUM position,  $V_{CC}$  is applied to the SYNC pin for low EMI spread spectrum operation. To synchronous to an external clock, move JP1 to SYNC and apply the external clock to the SYNC turret. Figure 1 shows the efficiency of the circuit.

The demo board has an EMI filter installed. The radiated EMI performances of the board (with EMI filter) are shown in Figure 2 and Figure 3. The red lines in Figure 2 and Figure 3 are CISPR25 Class 5 peak limit. To use the EMI filter, the input should be tied to  $V_{EMI}$ , not  $V_{IN}$ . An inductor L2, which is a 0 $\Omega$  jumper on the board by default now, can be added in the EMI filter to further reduce the conducted emission.

The LT8607 data sheet gives a complete description of the part, operation and application information. The data sheet must be read in conjunction with this demo manual for DC2565A.

**Design files for this circuit board are available at <http://www.linear.com/demo/DC2565A>**

LT, LT, LTC, LTM, Linear Technology, the Linear logo and Burst Mode are registered trademarks of Analog Devices, Inc. All other trademarks are the property of their respective owners.

### PERFORMANCE SUMMARY Specifications are at $T_A = 25^\circ\text{C}$

SYMBOL	PARAMETER	CONDITIONS	MIN	TYP	MAX	UNITS
$V_{IN}$	Input Voltage Range		5.5		42	V
$V_{OUT}$	Output Voltage		4.8	5	5.2	V
$I_{OUT}$	Maximum Output Current		0.75			A
$f_{SW}$	Switching Frequency		1.85	2	2.15	MHz
EFE	Efficiency at DC	$V_{IN} = 12\text{V}, I_{OUT} = 0.75\text{A}$		92.4		%

## QUICK START PROCEDURE

DC2565A is easy to set up to evaluate the performance of the LT8607. Refer to Figure 4 for proper measurement equipment setup and follow the procedure below:

NOTE: When measuring the input or output voltage ripple, care must be taken to avoid a long ground lead on the oscilloscope probe. See Figure 5 for the proper scope technique.

1. Set an input power supply that is capable of 42V/0.75A. Then turn off the supply.
2. With power off, connect the supply to the input terminals  $V_{IN}$  and GND.
3. Turn on the power at the input.

NOTE: Make sure that the input voltage never exceeds 42V.

4. Check for the proper output voltage of 5V. Turn off the power at the input.

5. Once the proper output voltage is established, connect a variable load capable of sinking 0.75A at 5V to the output terminals  $V_{OUT}$  and GND. Set the current for 0A.
  - a. If efficiency measurements are desired, an ammeter can be put in series with the output load in order to measure the DC2565A's output current.
  - b. A voltmeter can be placed across the output terminals in order to get an accurate output voltage measurement.
6. Turn on the power at the input.

NOTE: If there is no output, temporarily disconnect the load to make sure that the load is not set too high.

7. Once the proper output voltage is established again, adjust the load and/or input within the operating range and observe the output voltage regulation, ripple voltage, efficiency and other desired parameters.
8. An external clock can be added to the SYNC terminal when SYNC function is used (JP1 on the SYNC position). Please ensure that the chosen RT sets the LT8607 switching frequency to equal or below the lowest SYNC frequency. See the Synchronization section in the data sheet.

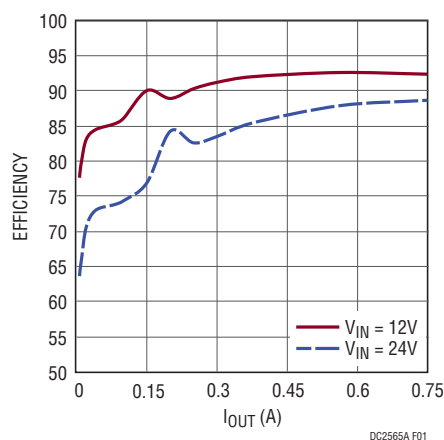


Figure 1. Efficiency vs Load Current at 2MHz Switching Frequency

## QUICK START PROCEDURE

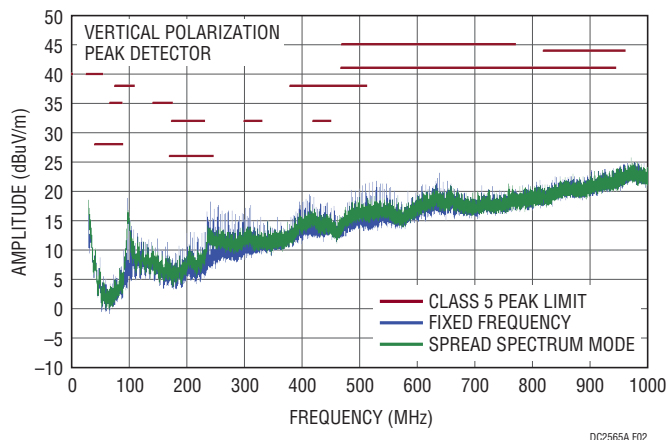


Figure 2. LT8607 Demo Circuit EMI Performance in CISPR25 Radiated Emission Test, Antenna Polarization: Vertical ( $V_{IN} = 14V$ ,  $V_{OUT} = 5V$ ,  $I_{OUT} = 0.75A$ , 2MHz Switching Frequency)

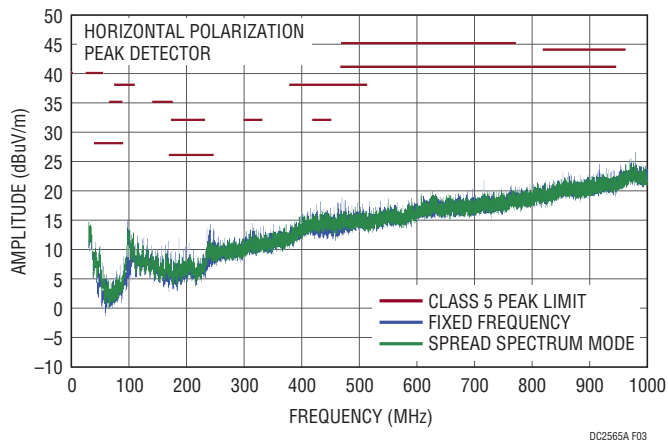


Figure 3. LT8607 Demo Circuit EMI Performance in CISPR25 Radiated Emission Test, Antenna Polarization: Horizontal ( $V_{IN} = 14V$ ,  $V_{OUT} = 5V$ ,  $I_{OUT} = 0.75A$ , 2MHz Switching Frequency)

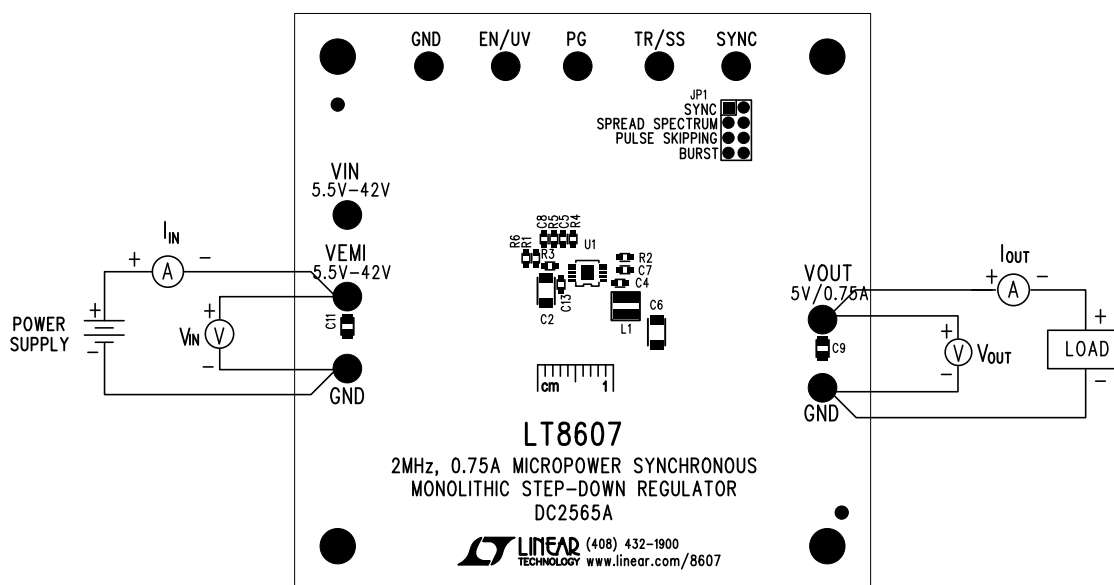


Figure 4. Proper Measurement Equipment Setup

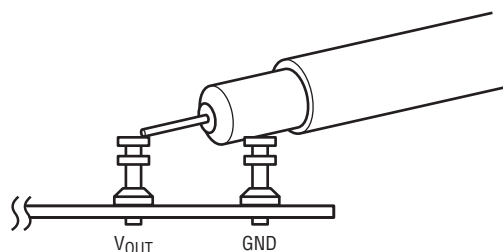


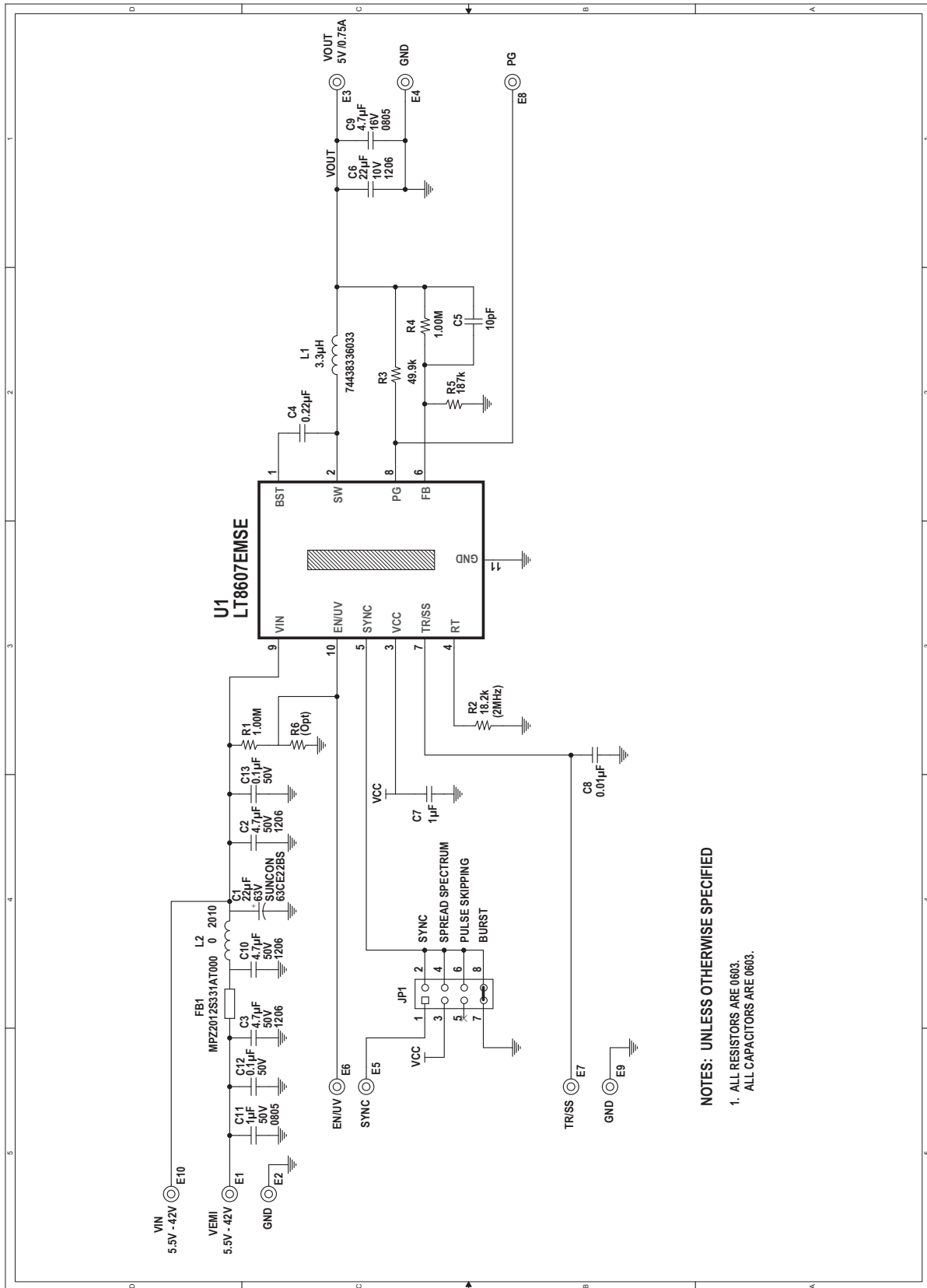
Figure 5. Measuring Output Ripple

# DEMO MANUAL DC2565A

## PARTS LIST

ITEM	QTY	REFERENCE	PART DESCRIPTION	MANUFACTURER/PART NUMBER
<b>Required Circuit Components</b>				
1	1	C2	CAP., X7R, 4.7 $\mu$ F, 50V, 10% 1206	MURATA, GRM31CR71H475K
2	1	C4	CAP., X7R, 0.22 $\mu$ F, 16V, 10%, 0603	MURATA, GRM188R71C224KA01D
3	1	C5	CAP., COG, 10pF, 25V, 5%, 0603	AVX, 06033A100JAT2A
4	1	C6	CAP., X7R, 22 $\mu$ F, 10V, 10%, 1206	MURATA, GRM31CR71A226KE15L
5	1	C7	CAP., X7R, 1.0 $\mu$ F, 25V, 10%, 0603	MURATA, GRM188R71E105KA12D
6	1	C8	CAP., X7R, 0.01 $\mu$ F, 16V, 10%, 0603	MURATA, GRM188R71C103KA01D
7	1	L1	IND., 3.3 $\mu$ H	WURTH ELECTRONICS, 74438336033
8	1	R2	RES., CHIP, 18.2k, 1/10W, 1%, 0603	VISHAY, CRCW060318K2FKEA
9	1	R3	RES., CHIP, 49.9k, 1/10W, 1%, 0603	VISHAY, CRCW060349K9FKEA
10	2	R1, R4	RES., CHIP, 1M, 1/10W, 1%, 0603	VISHAY, CRCW06031M00FKEA
11	1	R5	RES., CHIP, 187k, 1/10W, 1%, 0603	VISHAY, CRCW0603187KFKEA
12	1	U1	IC, REGULATOR, MSE10	LINEAR TECH., LT8607EMSE#PBF
<b>Additional Demo Board Circuit Components</b>				
1	1	C1	CAP., ALUM 22 $\mu$ F 63V	SUN ELECT, 63CE22BS
2	2	C3, C10	CAP., X7R, 4.7 $\mu$ F, 50V, 10% 1206	MURATA, GRM31CR71H475K
3	1	C9	CAP., X7R, 4.7 $\mu$ F, 16V, 10%, 0805	MURATA, GRM21BR71C475K73L
4	1	C11	CAP., X7R, 1 $\mu$ F, 50V, 10%, 0805	MURATA, GRM21BR71H105KA12L
5	2	C12, C13	CAP., X7R, 0.1 $\mu$ F, 50V, 10%, 0603	MURATA, GRM188R71H104KA93D
6	1	FB1	FERRITE BEAD 0805	TDK, MPZ2012S331AT000
7	1	L2	RES., CHIP, 0 $\Omega$ , 3/4W, 2010	VISHAY, CRCW20100000Z0EF
8	0	R6 (OPT.)	RES., 0603	
<b>Hardware: For Demo Board Only</b>				
1	9	E1-E9	TESTPOINT, TURRET, 0.094"	MILL-MAX, 2501-2-00-80-00-00-07-0
2	1	E10 (OPT.)	TESTPOINT, TURRET, 0.094"	
3	1	JP1	DOUBLE ROW HEADER 2 $\times$ 4 0.079"	WURTH ELECTRONICS, 62000821121
4	1	XJP1	SHUNT, 0.079" CENTER	WURTH ELECTRONICS, 60800213421
5	4	MH1-MH4	STAND-OFF, NYLON 0.50" TALL	WURTH ELECTRONICS, 702935000

**SCHEMATIC DIAGRAM**



**NOTES: UNLESS OTHERWISE SPECIFIED**  
 1. ALL RESISTORS ARE 0603.  
 ALL CAPACITORS ARE 0603.

# DEMO MANUAL DC2565A

---

## DEMONSTRATION BOARD IMPORTANT NOTICE

Linear Technology Corporation (LTC) provides the enclosed product(s) under the following **AS IS** conditions:

This demonstration board (DEMO BOARD) kit being sold or provided by Linear Technology is intended for use for **ENGINEERING DEVELOPMENT OR EVALUATION PURPOSES ONLY** and is not provided by LTC for commercial use. As such, the DEMO BOARD herein may not be complete in terms of required design-, marketing-, and/or manufacturing-related protective considerations, including but not limited to product safety measures typically found in finished commercial goods. As a prototype, this product does not fall within the scope of the European Union directive on electromagnetic compatibility and therefore may or may not meet the technical requirements of the directive, or other regulations.

If this evaluation kit does not meet the specifications recited in the DEMO BOARD manual the kit may be returned within 30 days from the date of delivery for a full refund. **THE FOREGOING WARRANTY IS THE EXCLUSIVE WARRANTY MADE BY THE SELLER TO BUYER AND IS IN LIEU OF ALL OTHER WARRANTIES, EXPRESSED, IMPLIED, OR STATUTORY, INCLUDING ANY WARRANTY OF MERCHANTABILITY OR FITNESS FOR ANY PARTICULAR PURPOSE. EXCEPT TO THE EXTENT OF THIS INDEMNITY, NEITHER PARTY SHALL BE LIABLE TO THE OTHER FOR ANY INDIRECT, SPECIAL, INCIDENTAL, OR CONSEQUENTIAL DAMAGES.**

The user assumes all responsibility and liability for proper and safe handling of the goods. Further, the user releases LTC from all claims arising from the handling or use of the goods. Due to the open construction of the product, it is the user's responsibility to take any and all appropriate precautions with regard to electrostatic discharge. Also be aware that the products herein may not be regulatory compliant or agency certified (FCC, UL, CE, etc.).

No License is granted under any patent right or other intellectual property whatsoever. **LTC assumes no liability for applications assistance, customer product design, software performance, or infringement of patents or any other intellectual property rights of any kind.**

LTC currently services a variety of customers for products around the world, and therefore this transaction **is not exclusive**.

**Please read the DEMO BOARD manual prior to handling the product.** Persons handling this product must have electronics training and observe good laboratory practice standards. **Common sense is encouraged.**

This notice contains important safety information about temperatures and voltages. For further safety concerns, please contact a LTC application engineer.

Mailing Address:

Linear Technology  
1630 McCarthy Blvd.  
Milpitas, CA 95035

Copyright © 2004, Linear Technology Corporation