



PSE Technology Corporation

SPECIFICATION FOR APPROVAL

CUSTOMER _____

NOMINAL FREQUENCY 16.369000 MHz

PRODUCT TYPE TYPE JT 2.5X2.0 TEMPERATURE COMPENSATED CRYSTAL OSCILLATOR

SPEC. NO. (P/N) JT2553P0016.369000

CUSTOMER P/N _____

ISSUE DATE December 16, 2015

VERSION A

APPROVED	PREPARED	QA
<i>Brenda</i>	<i>Clair</i>	<i>Song Yang</i>
APPROVED BY CUSTOMER :		AVL Status
Please return one copy with approval to PSE-TW		

PSE Technology Corporation

No.2, Tzu-Chiang 5th Rd, Chung Li Industrial Park,
 Chung Li City, Taoyuan County, Taiwan (R.O.C.)
 TEL: 886-3-451-8888
 FAX: 886-3-461-3865
<http://www.saronix-ecera.com.tw>

- *Pb-free
- *RoHS Compliant
- *HF-Halogen Free
- *REACH Compliant

*** A company of  PERICOM Semiconductor Corporation ***

Pericom Internal Reference NO. JT2516312P

TYPE JT 2.5X2.0 TEMPERATURE COMPENSATED CRYSTAL OSCILLATOR

JT2553P0016.369000

VER. A 16-Dec-15

ELECTRICAL SPECIFICATIONS

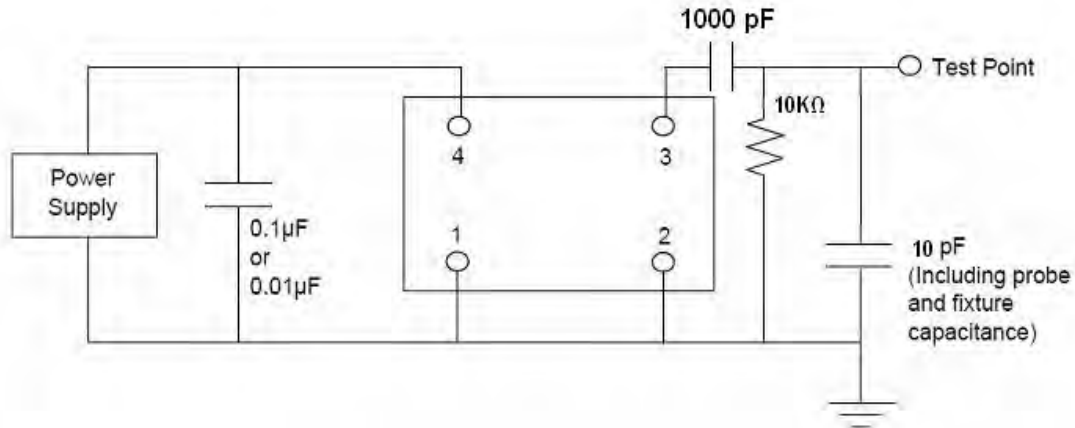
SRe Part Number : JT2553P0016.369000

Item	Symbol	Specifications	Units	Notes
Nominal Frequency	Fo	16.369000	MHz	
Operating Temperature Range	TR	-40 to +85	°C	
Storage Temperature Range		-40 to +85	°C	
Supply Voltage	V _{DD}	+1.8 ± 5.0%	V	
Frequency Stability	FT	± 0.5	ppm	vs. Temperature (Refer to the mid-point between minimum and maximum frequency values over the specified temperature range)
Frequency Stability		± 0.2	ppm	vs. Load varied 10pF//10kΩ±10%
Frequency Stability		± 0.1	ppm	vs. Supply Voltage varied V _{dd} ±5% at 25°C
Frequency Tolerance		± 2.0	ppm	Max. After 2 times reflow (Refer to nominal frequency)
Static Temperature Hysteresis		± 0.6	ppm	Max.
Aging		±1	ppm	per year at 25°C
Logic Type	LT	Clipped Sinewave		
Supply Current	I _{DD}	1.5	mA	Max.
Start Up Time v.s Output Level		2.0	msec	Max, 90% of specified output level
Output Voltage		0.8 to 1.4	Vp-p	
Output Load Resistance		10	KΩ	9KΩ Min / 11KΩ Max
Output Load Capacitance		10	pF	9pF Min / 11pF Max
Harmonics		-8	dBc	Max.
Phase Noise		-140 / -135	dBc/Hz	Typ./Max, at 1kHz offset

※ This product doesn't include harmful substance that stipulated by SONY SS-00259 Level 1 and S-AT2-001 Level 1 standard. RoHS Compliant (Pb - Free).



TEST CIRCUIT

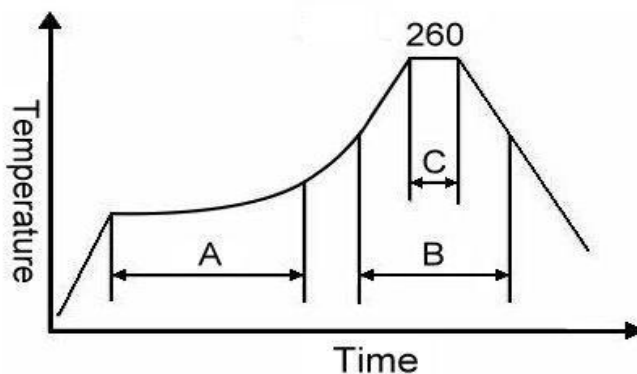


RELIABILITY SPECIFICATIONS

- 1. Initial
 - 1.1 Physical Dimensions: Mil Std 883 M2016
 - 1.2 Gross/Fine Leak: JESD22-A109, Mil Std 883 M1014
 - 1.3 Electrical Characterization: Per Specification/Datasheet
 - 1.4 Electrical Test: Per Specification/Datasheet
- 2. Mechanical
 - 2.1 Mechanical Shock: JESD22-B104
 - 2.2 Vibration Variable Frequency: JESD22-B103
 - 2.3 Solderability: JESD22-B102-D
- 3.Environmental
 - 3.1 Highly Accelerated Stress Testing: JESD22-A110/A118
 - 3.2 Temp Cycle: JESD22-A104
 - 3.3 Resistance to Solder Heat: J-STD-020C
 - 3.4 Low Temperature Storage: JESD22-A108
 - 3.5 High Temperature Storage Life / Bake: JESD22-A103
 - 3.6 Temperature Bias and Operating Life: JESD22-A108
 - 3.7 ESD Testing: JESD22-A114/A115/C101
 - 3.8 Latch Up test: JESD78

SUGGESTED IR REFLOW PROFILE

*As per IPC-JEDEC J-STD-020D



Note:

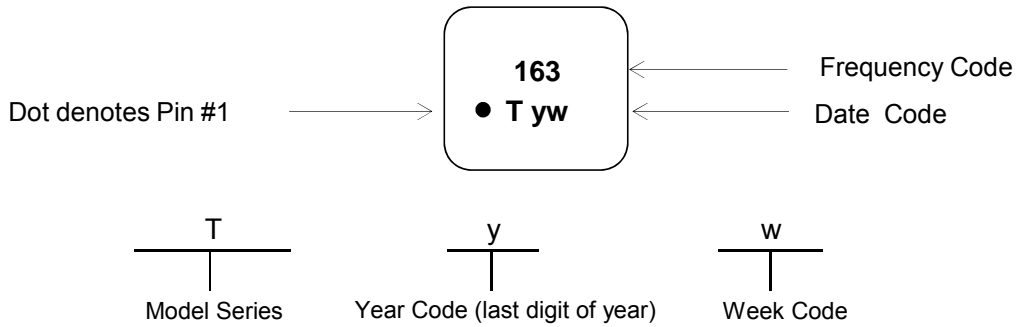
	Stage	Temperature	Time
A	Preheat	150~200°C	60~120 Sec
B	Primary Heat	217°C	60~150 Sec
C	Peak	260°C	10 Sec

TYPE JT 2.5X2.0 TEMPERATURE COMPENSATED CRYSTAL OSCILLATOR

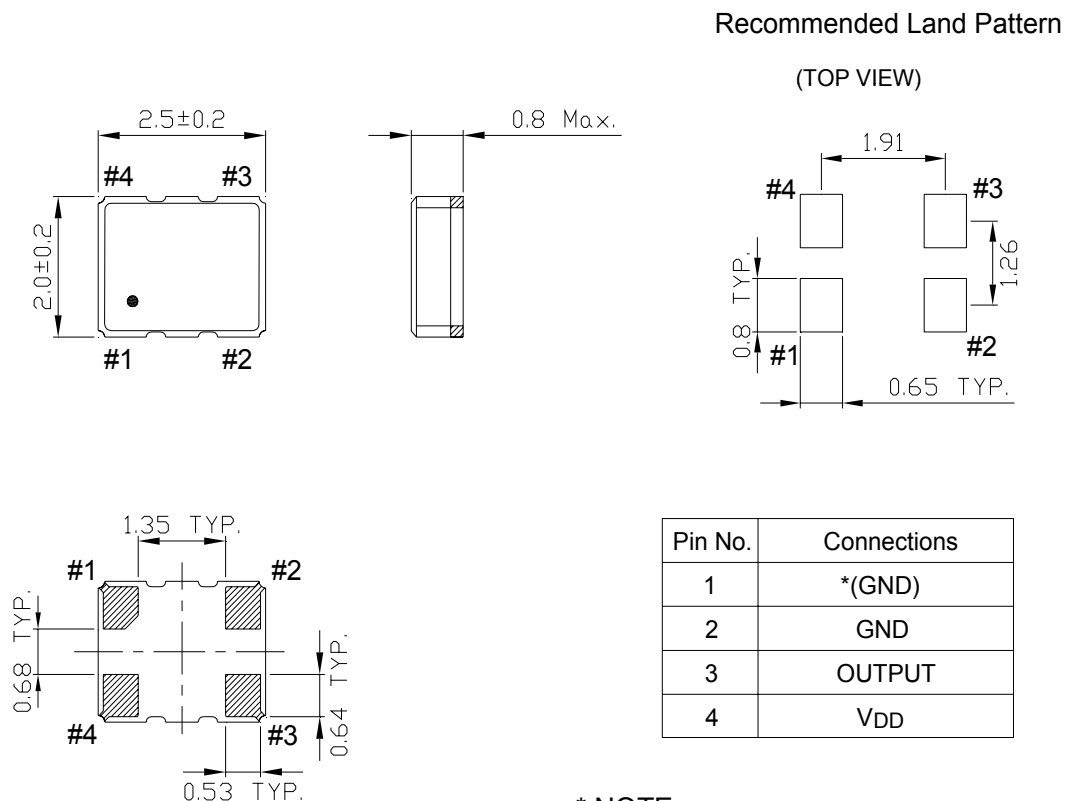
JT2553P0016.369000

VER. A 16-Dec-15

MARKING



MECHANICAL DRAWINGS (Scale: None. Dimensions are in mm.)



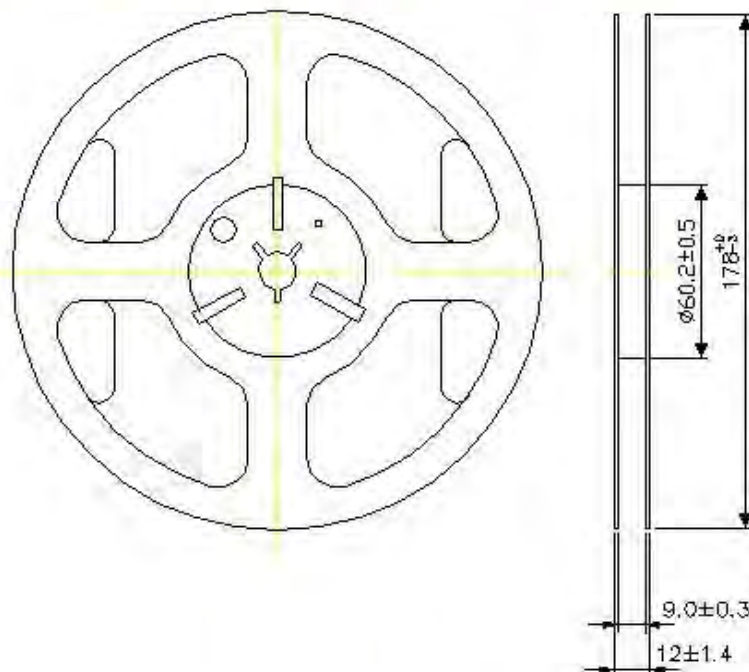
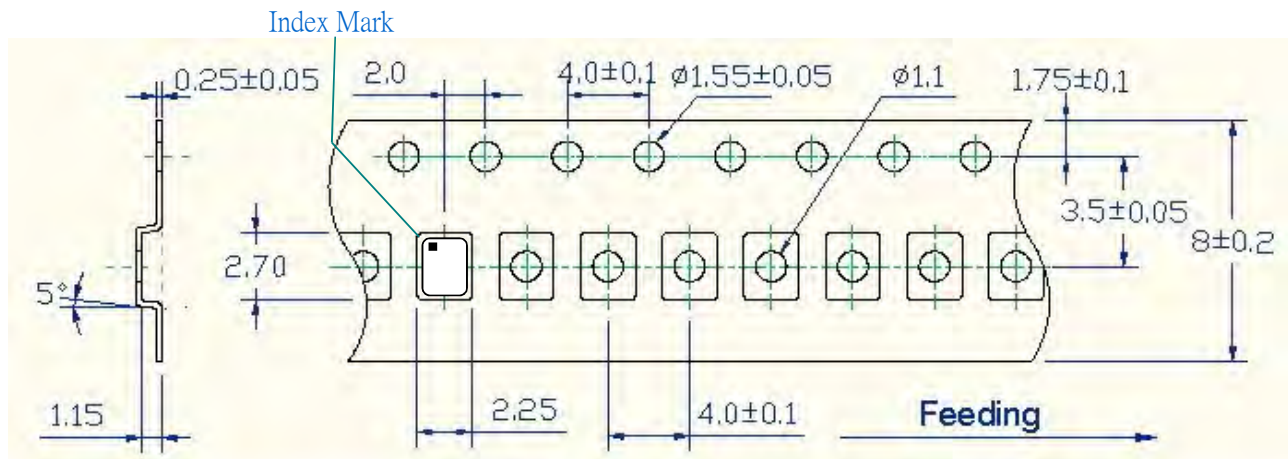
* NOTE
#1 pad. Must be connected to ground on your circuit, otherwise oscillation frequency will shift from the output frequency specified.

TYPE JT 2.5X2.0 TEMPERATURE COMPENSATED CRYSTAL OSCILLATOR

JT2553P0016.369000

VER. A 16-Dec-15

TAPE&REEL



1. 230mm minimum leader which consist of carrier and/or tape followed by a minimum of 160mm of empty carrier tape sealed with cover tape.
2. 160mm minimum trailer of empty carrier tape sealed with cover tape.

TYPE JT 2.5X2.0 TEMPERATURE COMPENSATED CRYSTAL OSCILLATOR

JT2553P0016.369000

VER. A 16-Dec-15

PACKING

