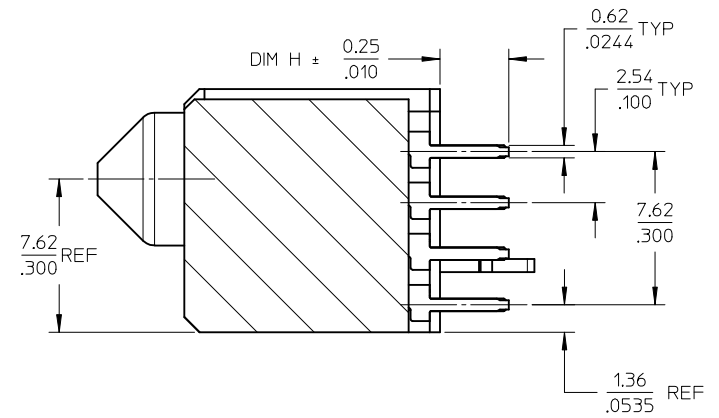
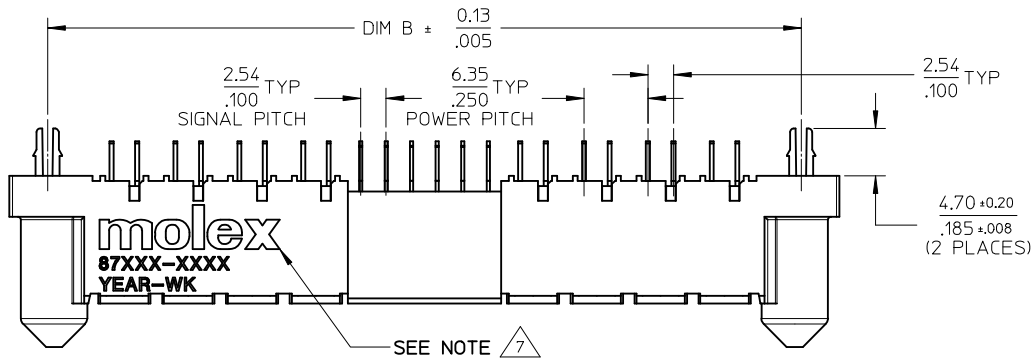
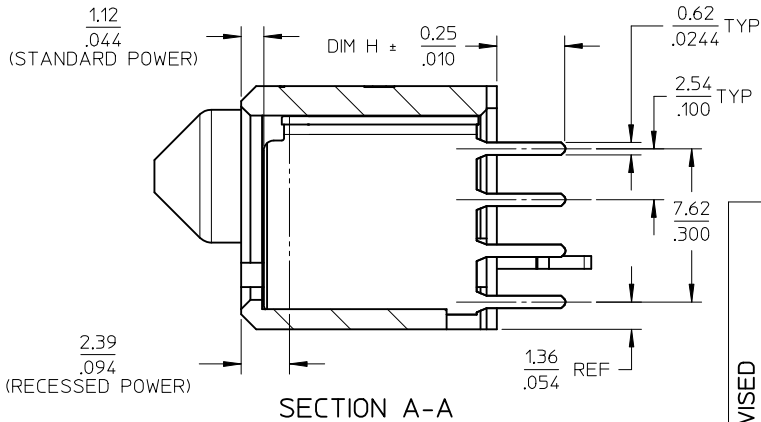
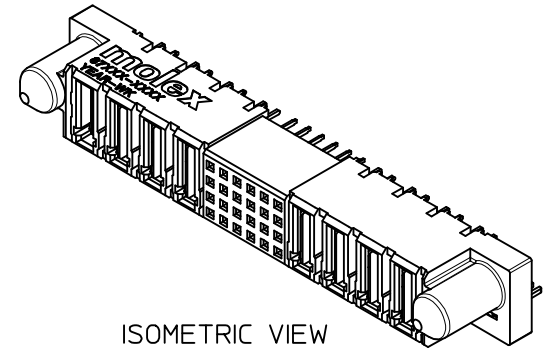
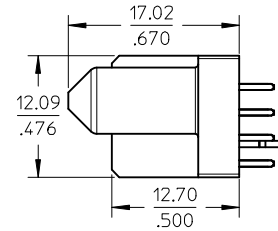
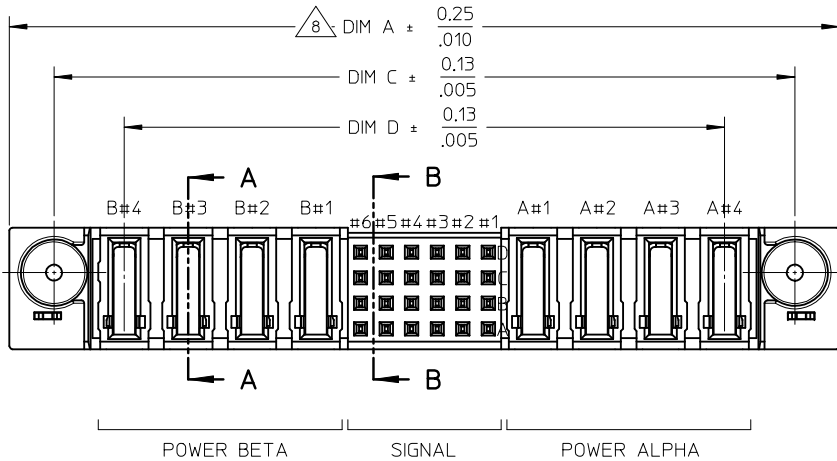


10 9 8 7 6 5 4 3 2 1



SECTION B-B



SECTION A-A

<b>REVISED</b> EC NO: S2014-0060 DRW:SKANG 2013/07/17 CHKD:MLONG 2013/09/06 APPR:MLONG 2013/09/09	QUALITY SYMBOLS $\nabla_A = 0$ $\nabla_C = 0$ $\nabla_F = 0$	GENERAL TOLERANCES (UNLESS SPECIFIED)		DIMENSION STYLE <b>MM ONLY</b>		SCALE NTS	DESIGN UNITS METRIC	THIRD ANGLE PROJECTION	
		4 PLACES ± --- ± --- 3 PLACES ± --- ± --- 2 PLACES ± 0.13 ± --- 1 PLACE ± 0.25 ± --- 0 PLACE ± ±	mm INCH	DRAWN BY KMG0H	DATE 2002/11/20	TITLE POWER CONN. RECEPTACLE P-S-P CONFIGURATION VERTICAL T/H, W/G POST			
		ANGULAR ± 3 °	DRAFT WHERE APPLICABLE MUST REMAIN WITHIN DIMENSIONS	CHECKED BY PTLIM	DATE 2002/11/21	APPROVED BY SKTOH			
	D1		SEE TABLE	MATERIAL NO.	2002/11/21	DOCUMENT NO. <b>SD-87622-023</b>			
		SIZE <b>A3</b>	THIS DRAWING CONTAINS INFORMATION THAT IS PROPRIETARY TO MOLEX INCORPORATED AND SHOULD NOT BE USED WITHOUT WRITTEN PERMISSION						
								SHEET NO. 1 OF 3	

9 8 7 6 5 4 3 2 1

10 9 8 7 6 5 4 3 2 1

F

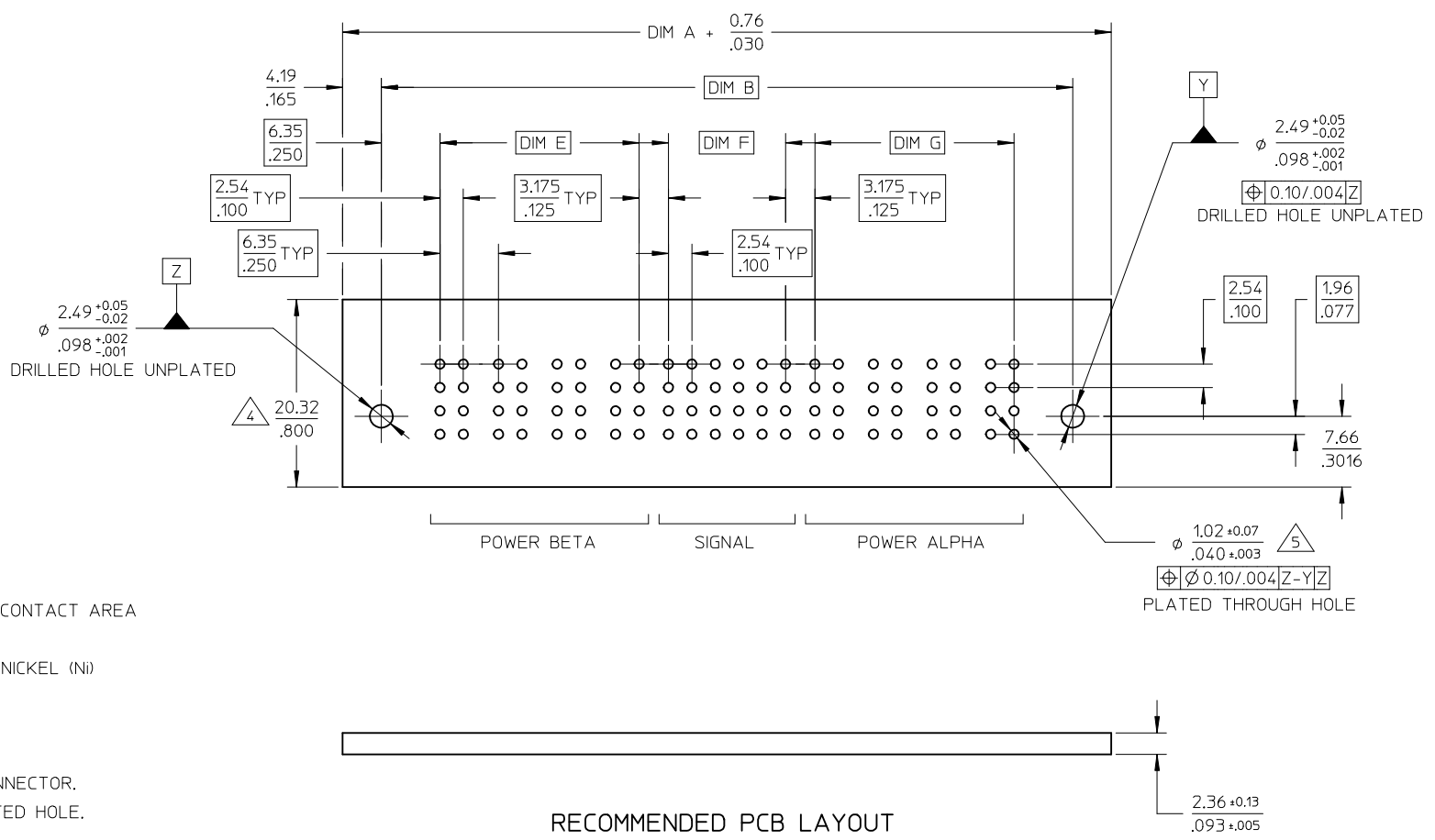
E

D

C

B

A



- NOTES
- MATERIALS :  
HOUSING - LCP, GLASS FILLED,  
UL 94V-0, COLOR: BLACK.  
SIGNAL TERMINAL - COPPER ALLOY  
POWER TERMINAL - COPPER ALLOY
  - FINISH :  
SIGNAL & POWER CONTACTS  
0.76 MICROMETER MINIMUM GOLD (Au) AT CONTACT AREA  
AND 2.54 MICROMETER MINIMUM TIN AT  
SOLDERTAIL AREA OVER 1.27um MINIMUM NICKEL (Ni)  
UNDERPLATE.
  - SPECIFICATIONS :  
PRODUCT SPECIFICATION : PS-87631-006
  - COMPONENT STAY AWAY ZONE FROM CONNECTOR.
  - PCB NOTE FOR DIAMETER 1.02/.040 PLATED HOLE.  
- DRILLED HOLE SIZE IS 1.151/.0453  
- PLATED WITH 0.007/.0003 MINIMUM TIN  
OVER 0.03/.001 TO 0.08/.003 COPPER PLATING TO ACHIEVE  
1.02±0.08/.040±0.003 HOLE.
  - ALL TERMINAL TIPS ARE DESIGNED WITH EXPOSED BASE COPPER.  
THIS IS CREATED BY FINAL CUTTING PROCESS AFTER PLATING.
  - MANUFACTURER LOGO, PART NUMBER AND YEAR-WEEK CODE.
  - 4Pa-24S-4Pb CONFIGURATION IS SHOWN FOR ILLUSTRATION ONLY.  
P-S-P CONFIGURATION IS AVAILABLE UP TO 203MM/8INCH.  
PLEASE CONTACT MOLEX SALES PERSONNEL FOR OTHER  
CONFIGURATION AND OPTION NEEDED.

RECOMMENDED PCB LAYOUT

REVISED EC NO: S2014-0060 DRWN:SKANG 2013/07/17 CHKD:MLONG 2013/09/06 APPR:MLONG 2013/09/09	QUALITY SYMBOLS	GENERAL TOLERANCES (UNLESS SPECIFIED)		DIMENSION STYLE MM ONLY		SCALE NTS	DESIGN UNITS METRIC	THIRD ANGLE PROJECTION	
	▽=0	4 PLACES	mm	INCH	DRAWN BY KMG0H	DATE 2002/11/20	TITLE POWER CONN. RECEPTACLE P-S-P CONFIGURATION VERTICAL T/H, W/G POST		
	▽=0	3 PLACES	± ---	± ---	CHECKED BY PTLIM	DATE 2002/11/21	molex		
	▽=0	2 PLACES	± 0.13	± ---	APPROVED BY SKTOH	DATE 2002/11/21			
D1	1 PLACE	± 0.25	± ---	MATERIAL NO.		DOCUMENT NO.		SHEET NO.	
	0 PLACE	±	±	DRAFT WHERE APPLICABLE MUST REMAIN WITHIN DIMENSIONS		SEE TABLE		SD-87622-023	2 OF 3
THIS DRAWING CONTAINS INFORMATION THAT IS PROPRIETARY TO MOLEX INCORPORATED AND SHOULD NOT BE USED WITHOUT WRITTEN PERMISSION									

9 8 7 6 5 4 3 2 1

PART NUMBER	P-S-P CONFIGURATION			RECESSED POWER CIRCUIT#	DIMENSIONS								PACKAGING
	POWER BETA	SIGNAL	POWER ALPHA		A	B	C	D	E	F	G	H ± 0.20 .008	
87622-4000	5	24	3	NIL	82.54 3.250	74.93 2.950	73.65 2.900	59.69 2.350	27.94 1.100	12.70 .500	15.24 .600	3.43 .135	TRAY
87622-4001	4	20	6	NIL	92.71 3.650	85.10 3.350	83.82 3.300	69.86 2.750	21.59 .850	10.16 .400	34.29 1.350	3.43 .135	
87622-4002	4	24	4	NIL	82.54 3.250	74.93 2.950	73.65 2.900	59.69 2.350	21.59 .850	12.70 .500	21.59 .850	3.43 .135	
87622-4003	3	24	3	NIL	69.84 2.750	62.23 2.450	60.95 2.400	46.99 1.850	15.24 .600	12.70 .500	15.24 .600	3.43 .135	
87622-4004	2	24	2	NIL	57.15 2.250	49.53 1.950	48.26 1.900	34.29 1.350	8.89 .350	12.70 .500	8.89 .350	3.43 .135	
87622-4009	4	20	4	NIL	80.00 3.150	72.39 2.850	71.11 2.800	57.15 2.250	21.59 .850	10.16 .400	21.59 .850	3.43 .135	
87622-4011	2	24	2	B2.A2	57.15 2.250	49.53 1.950	48.26 1.900	34.29 1.350	8.89 .350	12.70 .500	8.89 .350	3.43 .135	

<b>REVISED</b> EC NO: S2014-0060 DRWN:SKANG 2013/07/17 CHKD:MLONG 2013/09/06 APPR:MLONG 2013/09/09	QUALITY SYMBOLS	GENERAL TOLERANCES (UNLESS SPECIFIED)	DIMENSION STYLE <b>MM ONLY</b>	SCALE NTS	DESIGN UNITS METRIC	THIRD ANGLE PROJECTION	
	$\nabla_A=0$ $\nabla_G=0$ $\nabla_F=0$	4 PLACES ± --- ± --- 3 PLACES ± --- ± --- 2 PLACES ± 0.13 ± --- 1 PLACE ± 0.25 ± --- 0 PLACE ± ±	mm INCH DRAWN BY: KMG0H DATE: 2002/11/20 CHECKED BY: PTL IM DATE: 2002/11/21 APPROVED BY: SKTOH DATE: 2002/11/21	TITLE	POWER CONN. RECEPTACLE P-S-P CONFIGURATION VERTICAL T/H, W/G POST		
		ANGULAR ± 3 °	SEE TABLE	DOCUMENT NO. SD-87622-023		SHEET NO. 3 OF 3	
		DRAFT WHERE APPLICABLE MUST REMAIN WITHIN DIMENSIONS	THIS DRAWING CONTAINS INFORMATION THAT IS PROPRIETARY TO MOLEX INCORPORATED AND SHOULD NOT BE USED WITHOUT WRITTEN PERMISSION				
	D1	REV		SIZE A3			